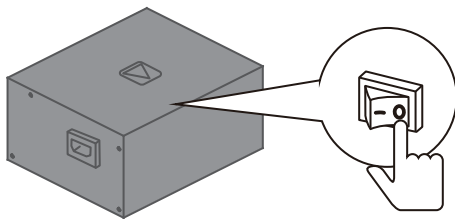


QUICK INSTALLATION GUIDE



**English**

- ◆ Make sure that your system is turned off and unplugged.

Français

- ◆ Assurez-vous que le système est éteint et débranché.

Русский

- ◆ Убедитесь, что система выключена и отключена от электросети.

Deutsch

- ◆ Stellen Sie sicher, dass Ihr System ausgeschaltet und alle Stromkabel gezogen sind.

日本語

- ◆ システムがオフになっており、プラグを抜いていることを確認してください。

繁體中文

- ◆ 請確定系統已關閉且已斷電。

Español

- ◆ Asegúrese de que el sistema está apagado y desenchufado.

Italiano

- ◆ verificare che il sistema sia spento e scollegato.

Português

- ◆ Certifique-se que o seu sistema está desligado e sem corrente eléctrica.

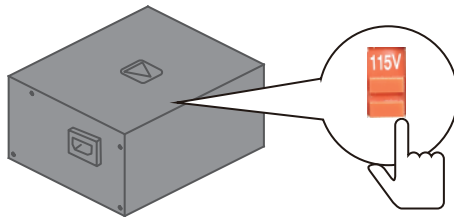
Türk dili

- ◆ Sisteminizin kapalı olduğundan ve fişinin takılı olmadığından emin olun.

简体中文

- ◆ 请确保系统已关闭，并已拔出插头。

02. VOLTAGE SWITCH



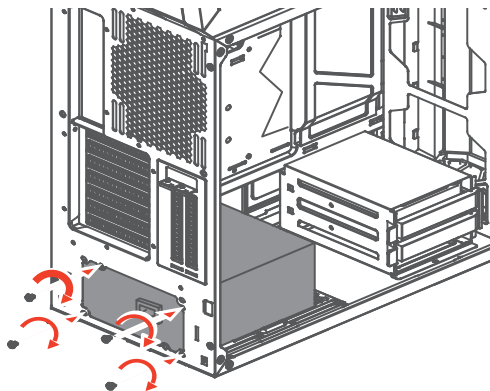
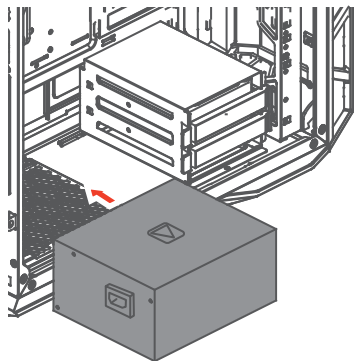
- ▼ If AC voltage of your region is 100~130V, voltage switch must be set to this position
- ▼ For example, if you live in the United States, the voltage switch must be set to this position



- ▼ If AC voltage of your region is 220~240V, voltage switch must be set to this position
- ▼ For example, if you live in France, the voltage switch must be set to this position

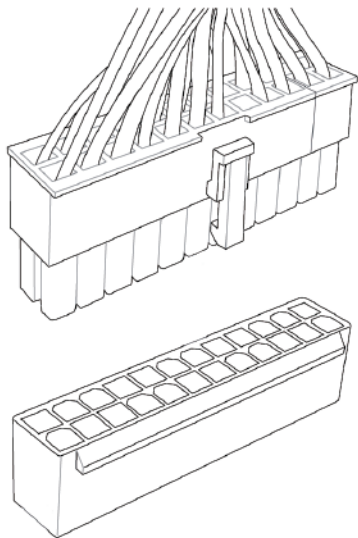


- Make sure voltage switch is correctly set for your region before powered on
- Incorrect voltage switch setting will destroy the PSU

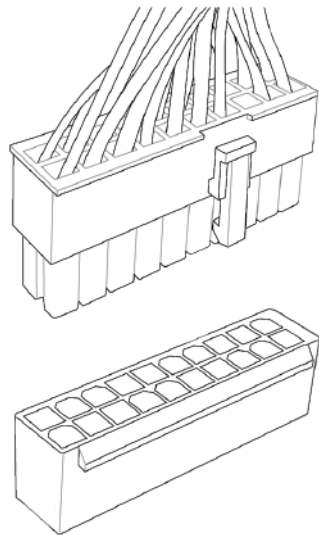


04. MOTHERBOARD

20+4 Pin

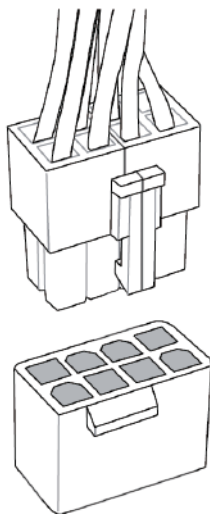


20 Pin

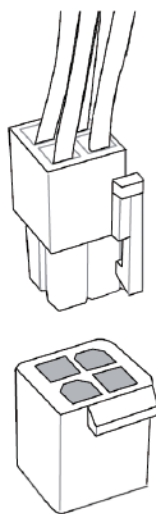


05. CPU

4+4 Pin

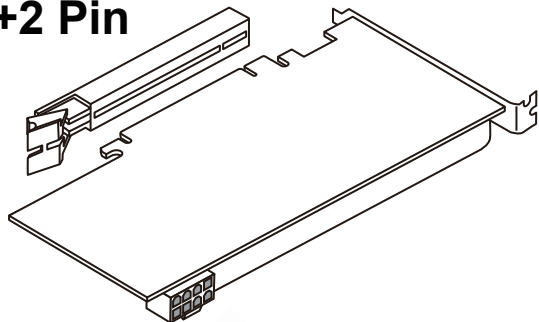


4 Pin

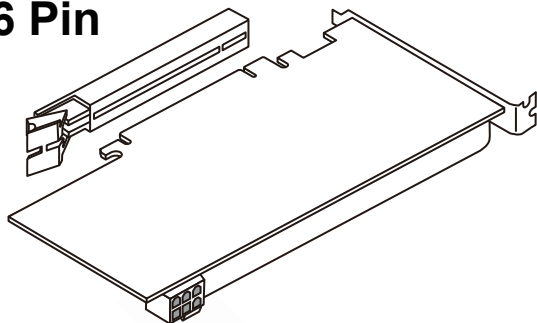


06. PCIe

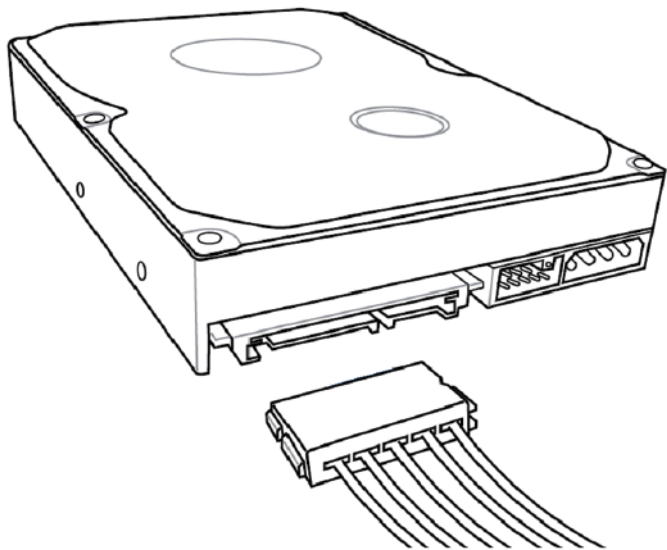
6+2 Pin



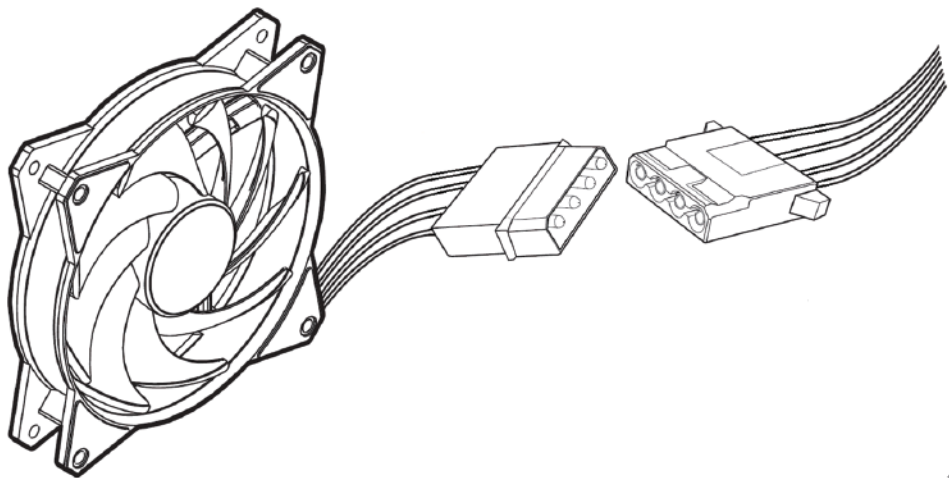
6 Pin



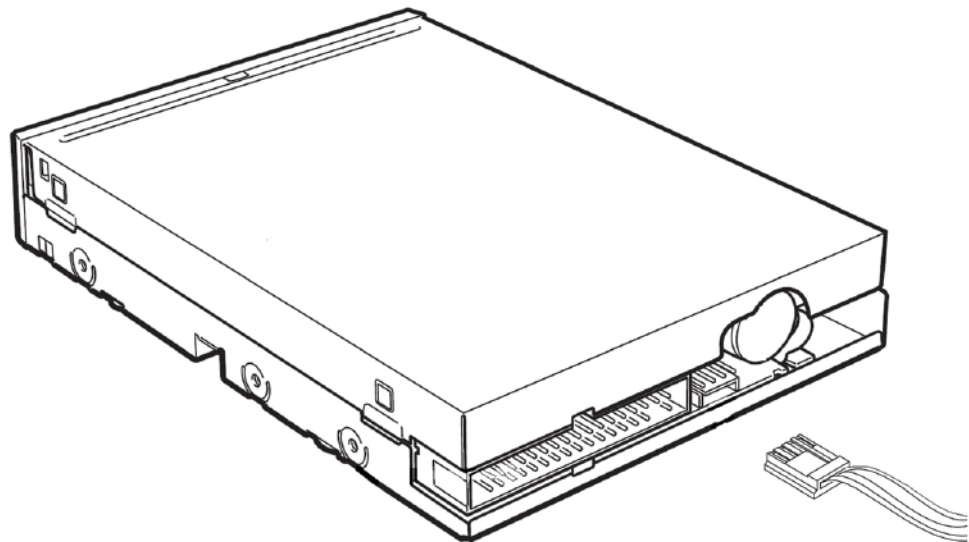
07.SATA



08. MOLEX



09. FDD

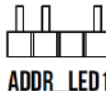
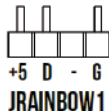
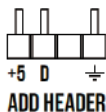


10

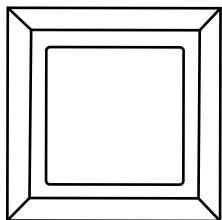
IF YOUR MOTHERBOARD HAS 5V 3-PIN ADDRESSABLE (DIGITAL) LED HEADER, YOU CAN CUSTOMIZE RGB LIGHTING VIA MOTHERBOARD MANUFACTURE SYNC SOFTWARE



The circuit extending from the arrow must be inserted into motherboard's V-Pin.



11. RGB LIGHTING



RGB Lighting

3 Sec

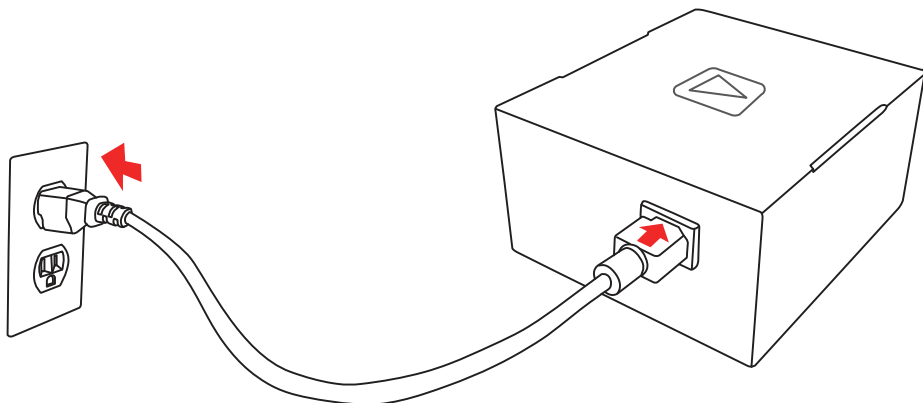


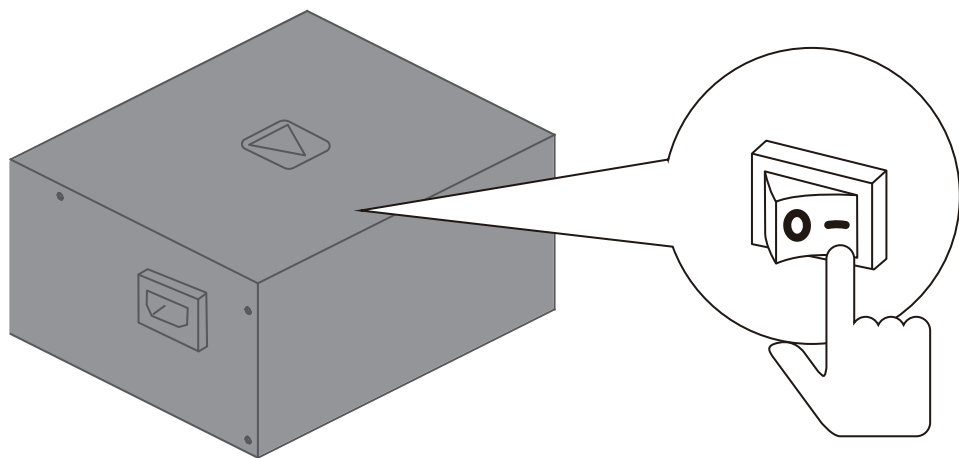
MB
SYNC



Built-in
Effects

Easily switch to motherboard manufacture sync software or built-in 30 lighting effects by long pressing button for 3 seconds.





14. PRODUCT WARRANTY POLICY

<http://www.gamdias.com/warranty-en-gb>



GAMDIAS

GAMING ART IN MOTION