

# STEP by STEP INSTALLATION GUIDE



**GAMDIAS**

# KRATOSIE1-600W

Addressable RGB 600W Power Supply

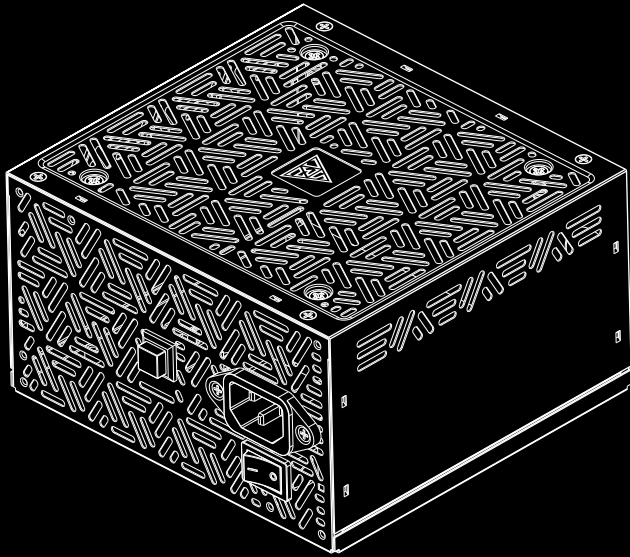
# Specifications

<b>Model Name</b>	<b>KRATOS E1-600</b>				
<b>AC Input</b>	<b>220-240V , 6A , 47-63Hz</b>				
<b>DC Output</b>	<b>+3.3V</b>	<b>+5V</b>	<b>+12V</b>	<b>-12V</b>	<b>+5Vsb</b>
<b>Max. Output Current</b>	<b>15A</b>	<b>15A</b>	<b>40.5A</b>	<b>0.3A</b>	<b>2.5A</b>
<b>Max. Output Power</b>	<b>100W</b>		<b>486W</b>	<b>3.6W</b>	<b>12.5W</b>
<b>Total Power</b>	<b>600W</b>				

 **KRATOS E1-600 only support AC input voltage 220~240V**

# Package Contents

**A**



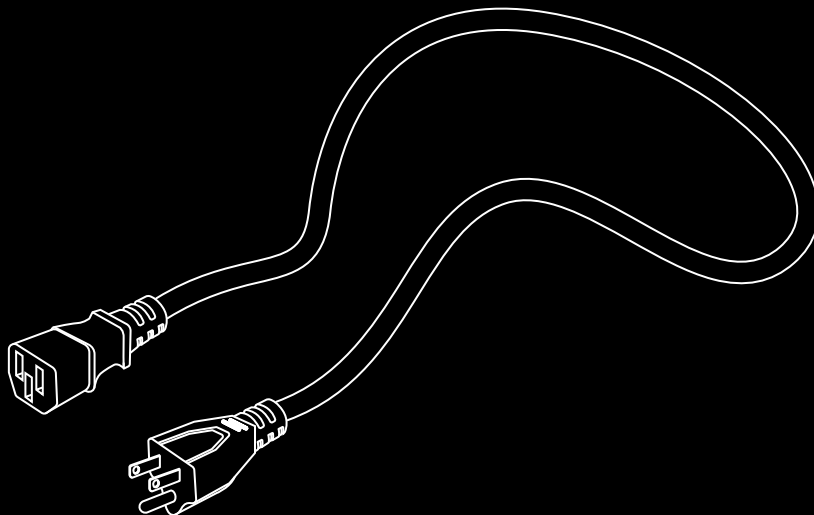
**X1**

**B**



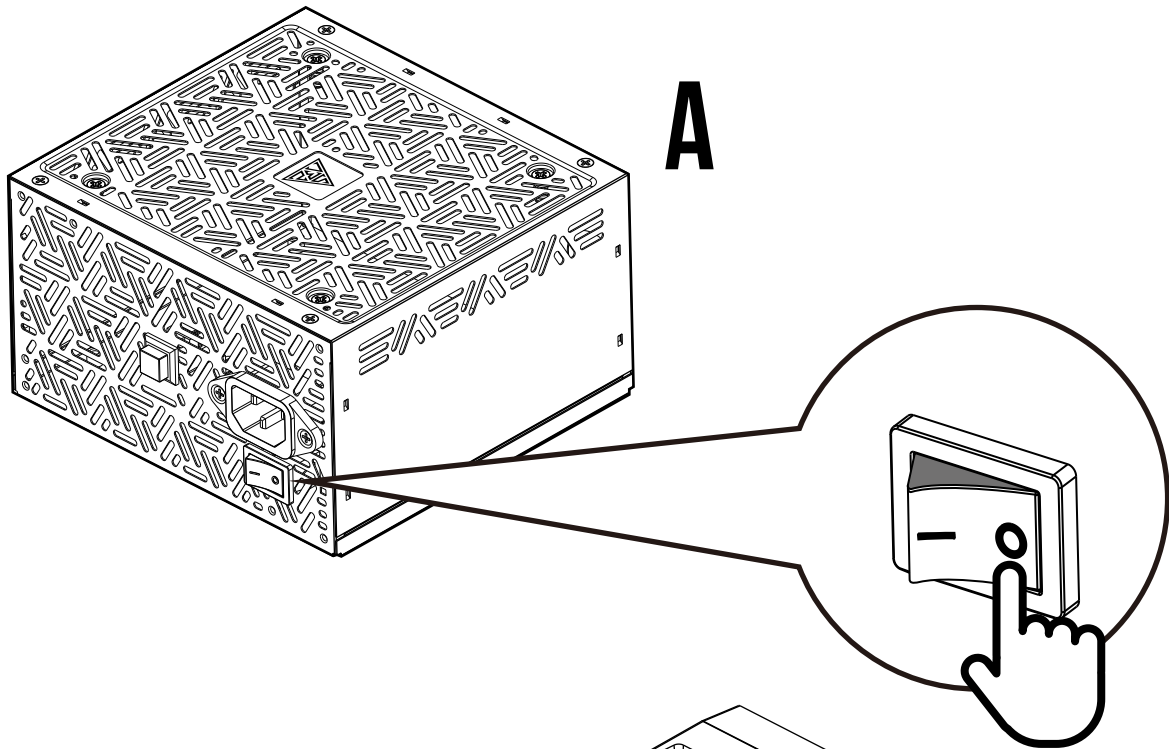
**X4**

**C**

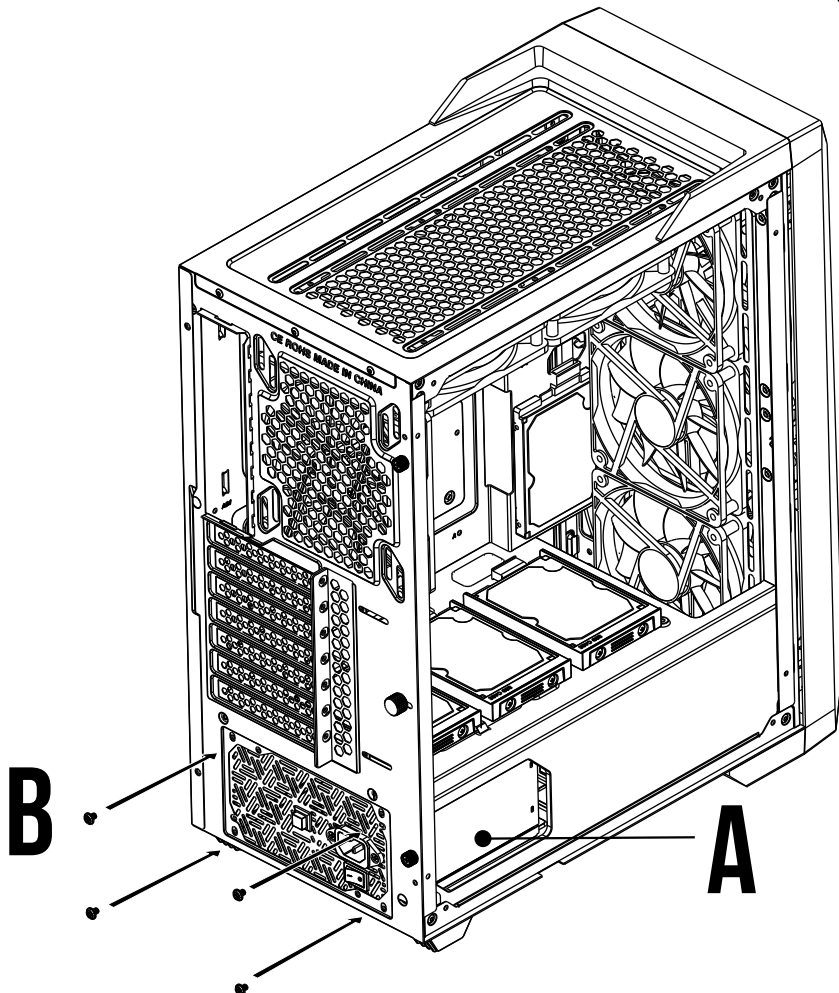


**X1**

**1** Turn off the PSU before installing by pushing I/O switch to "O" position.

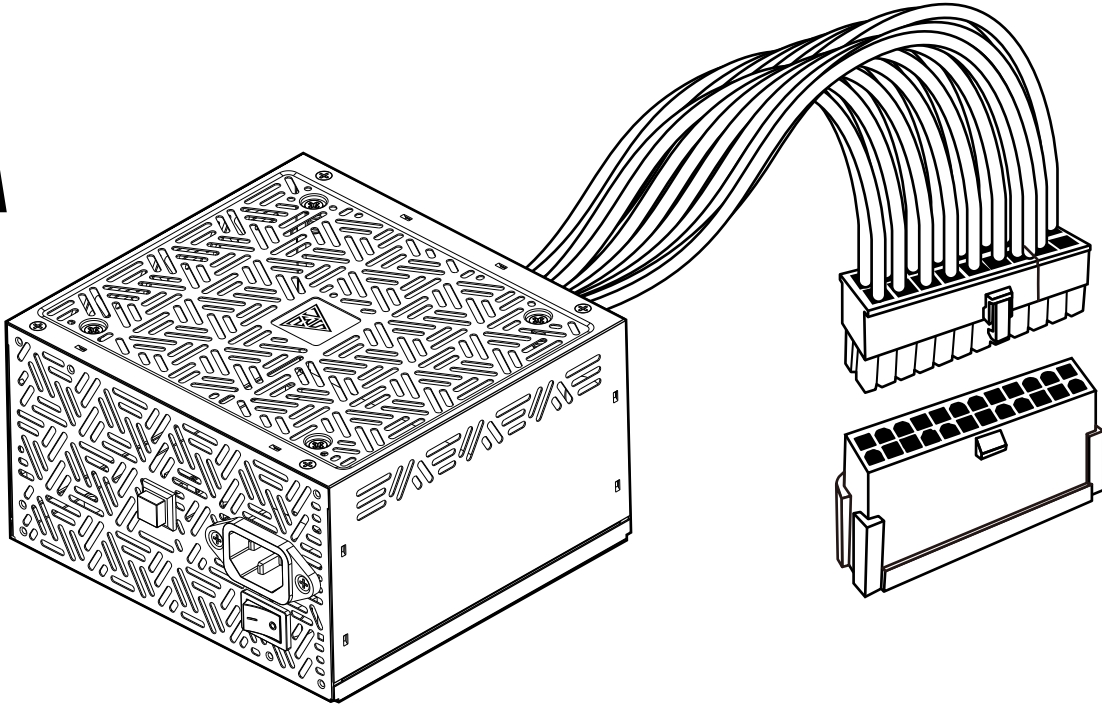


**2**

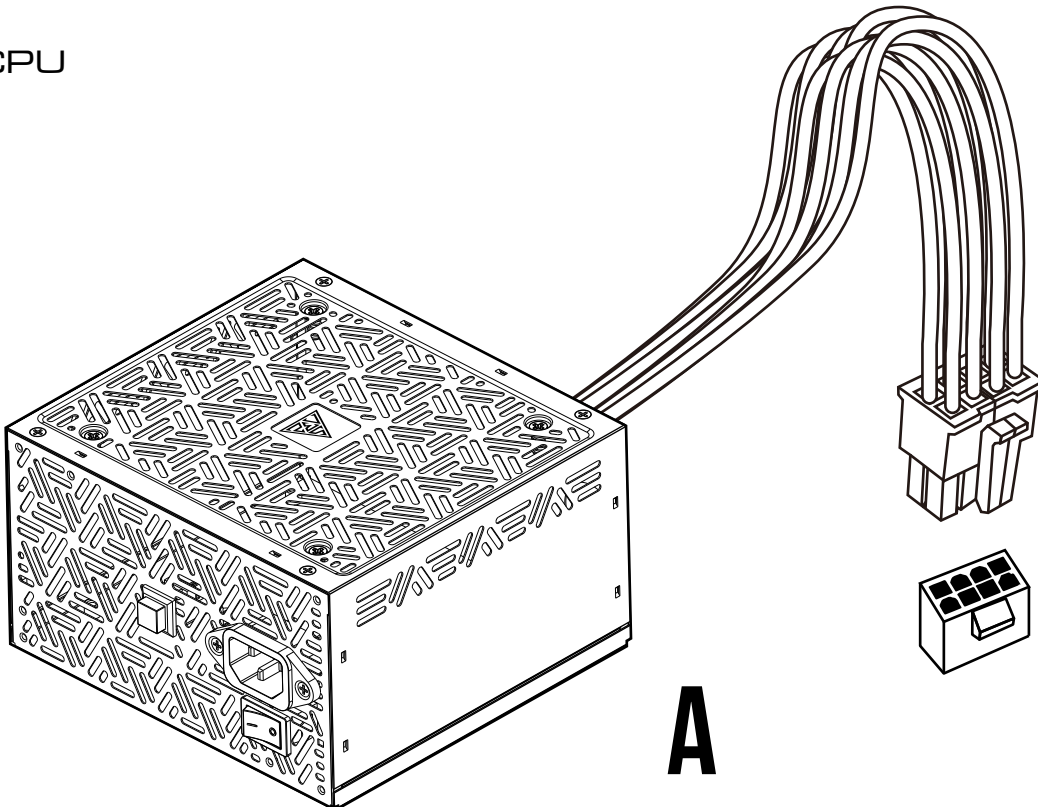


# 3 Motherboard

A



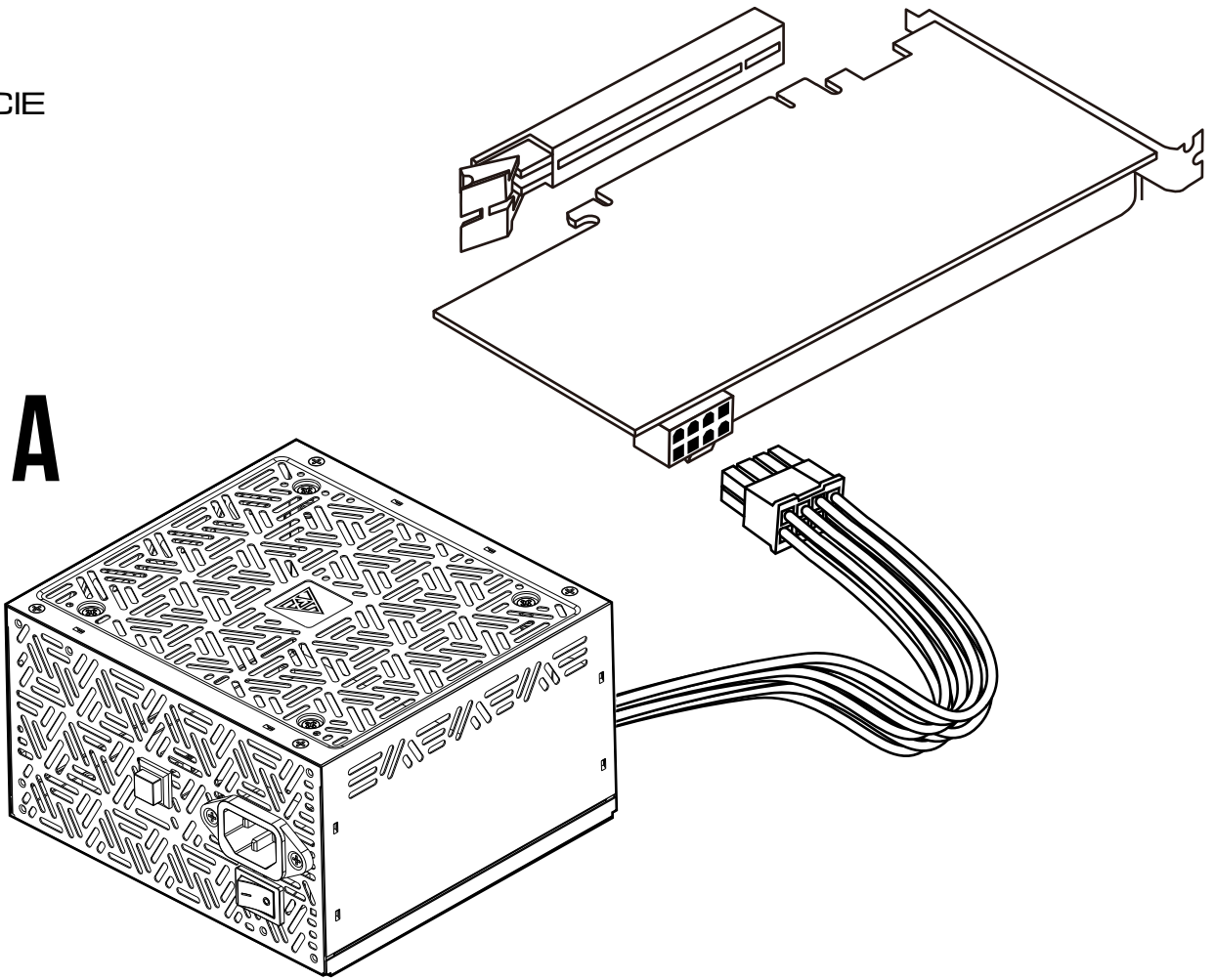
# 4 CPU



A

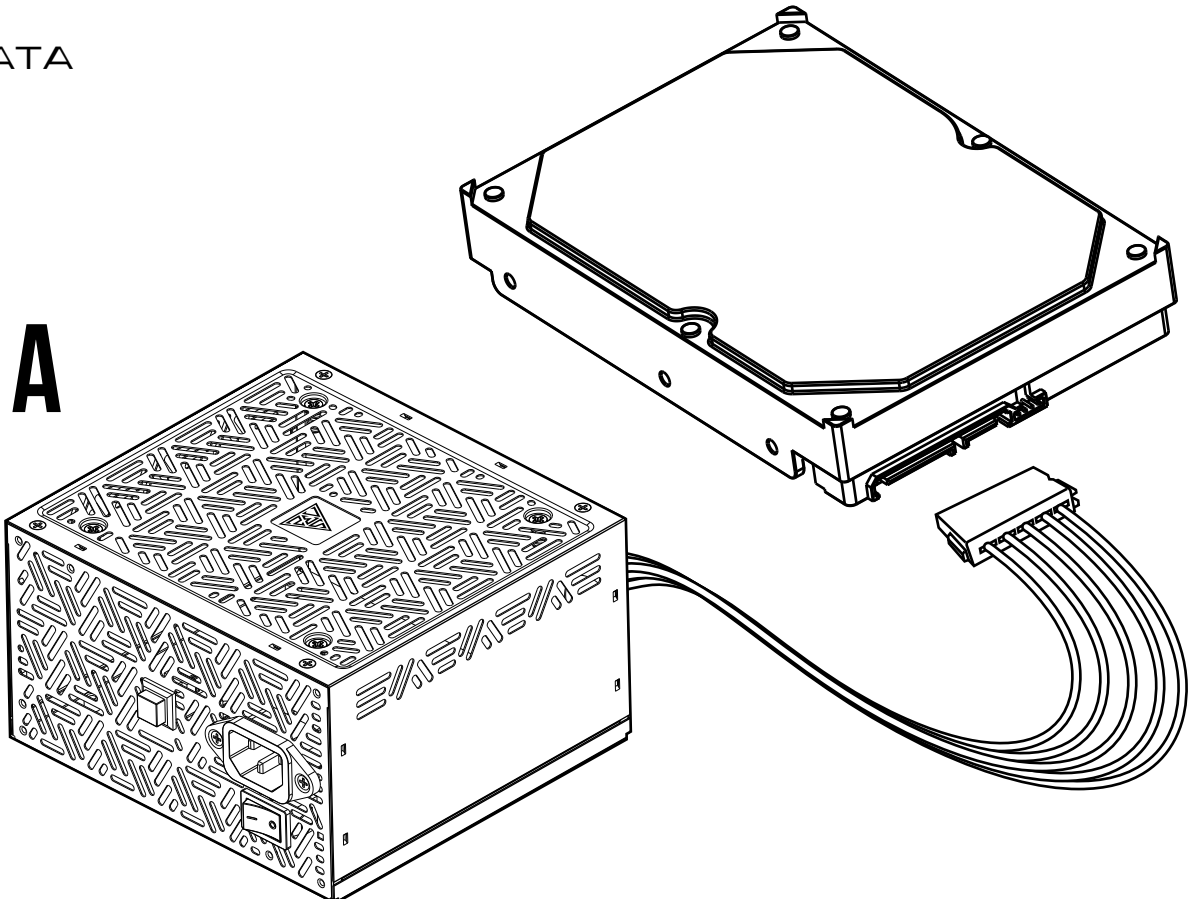
# 5

PCI-E

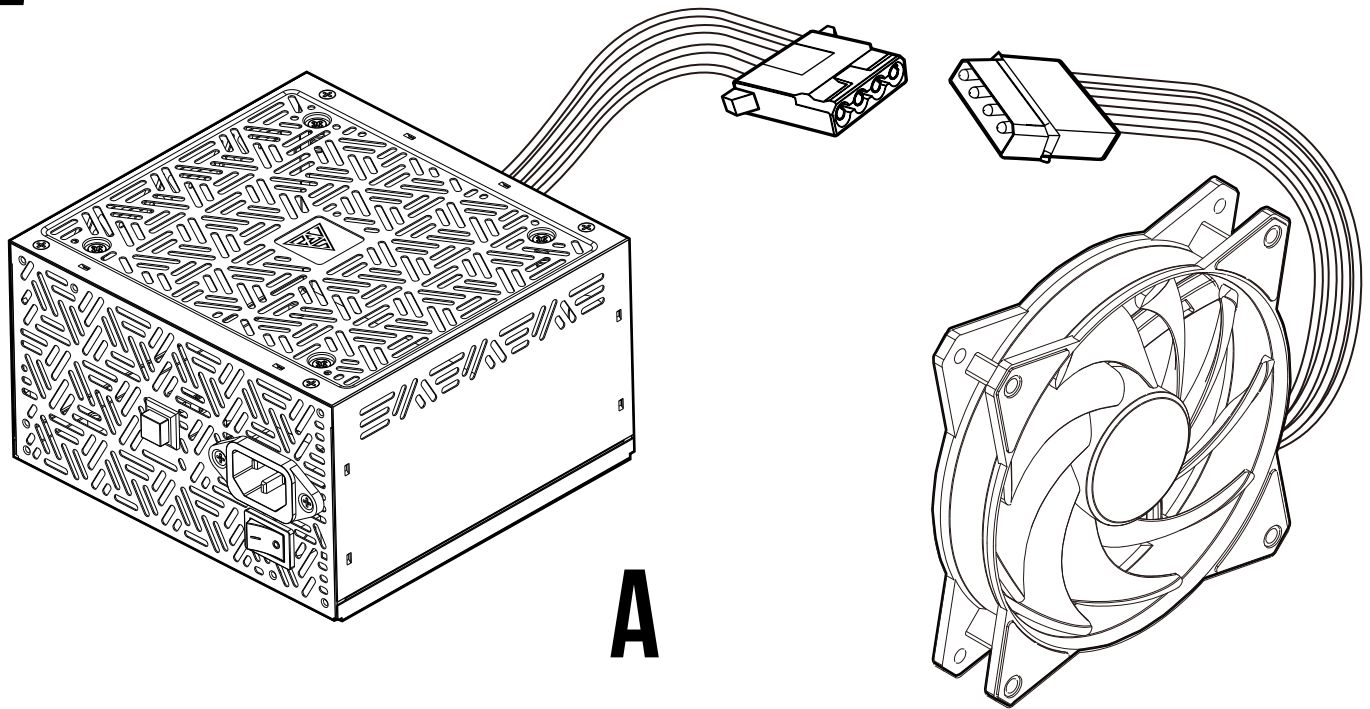


# 6

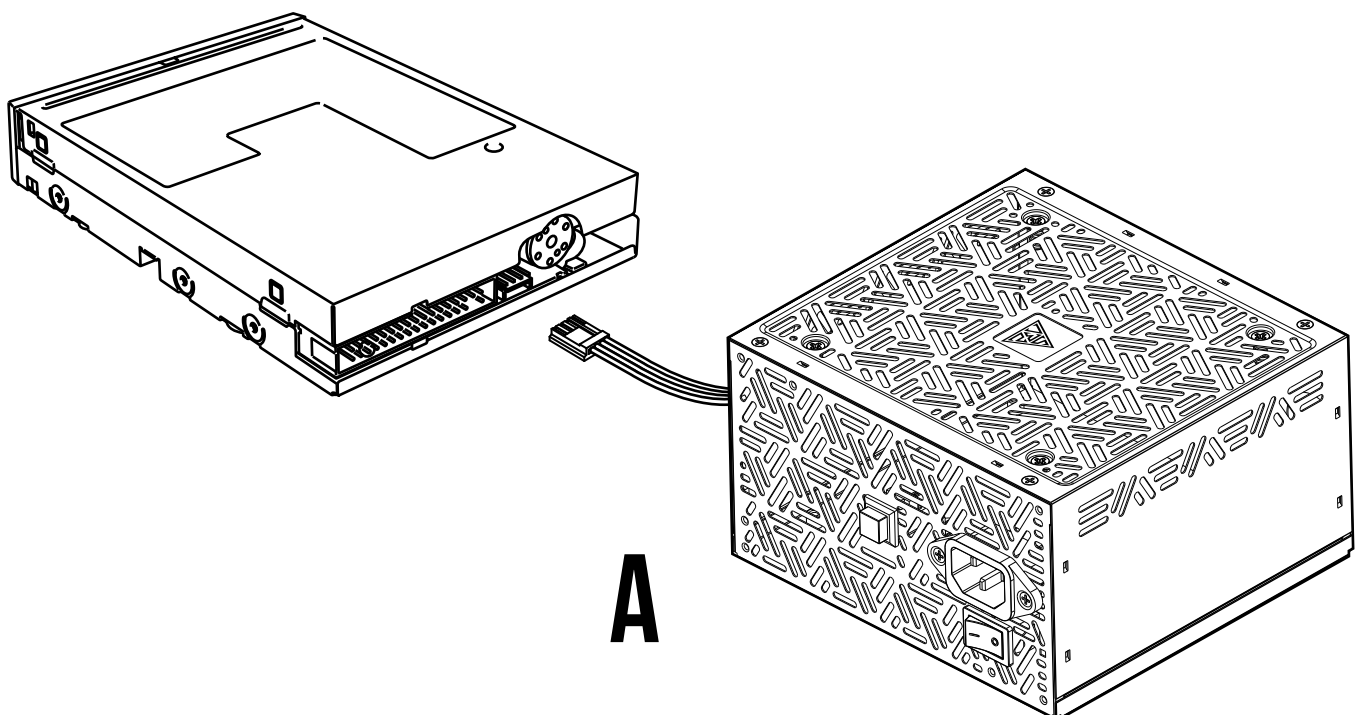
SATA



# 7 Molex

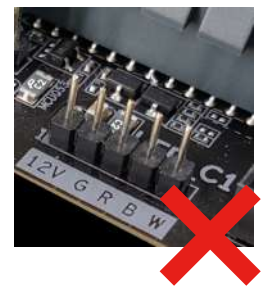
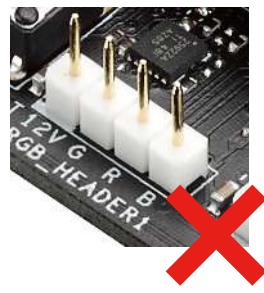
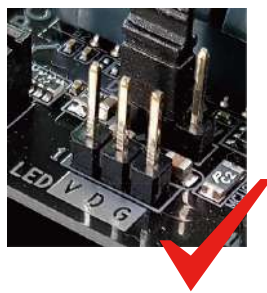
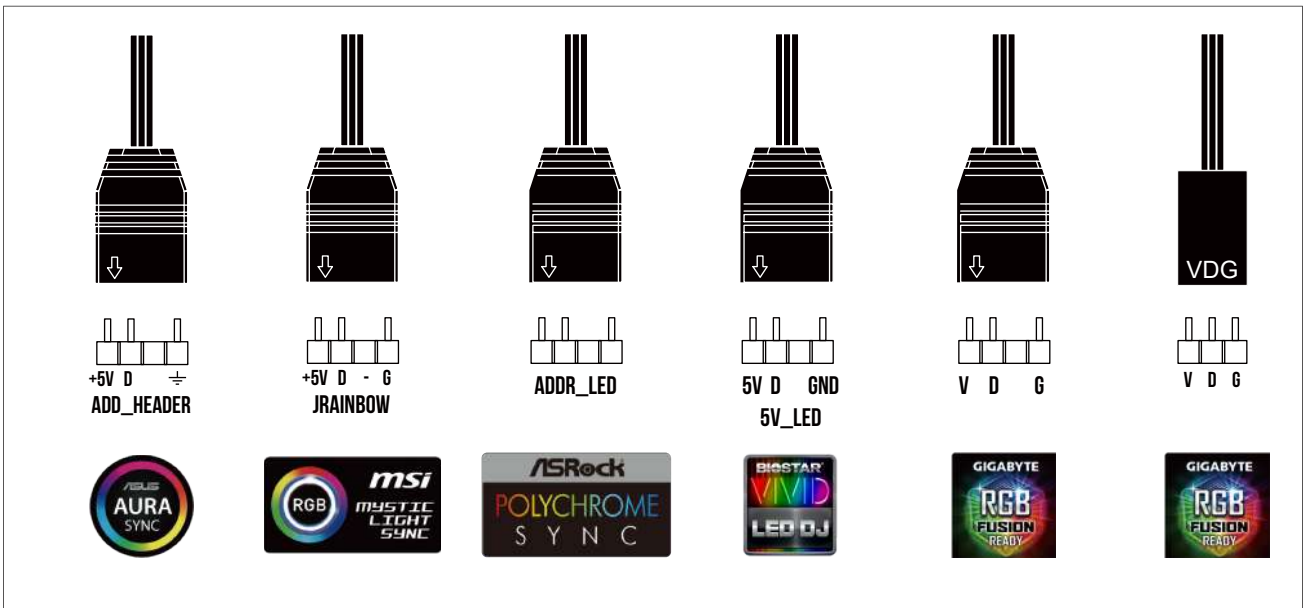
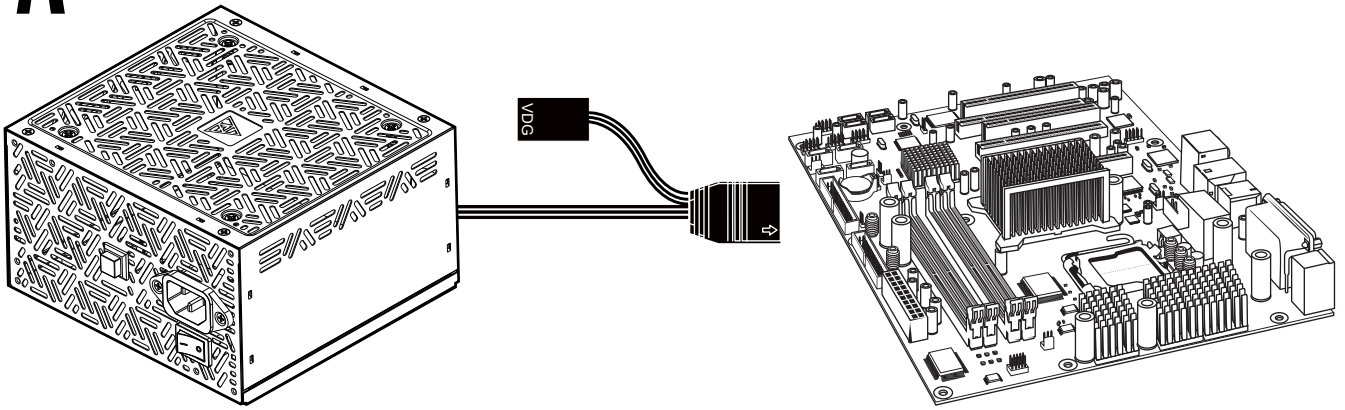


# 8 FDD



**9** If your motherboard has 5V 3-Pin addressable (digital) RGB header, you can customize RGB lighting via motherboard manufacturer sync software.

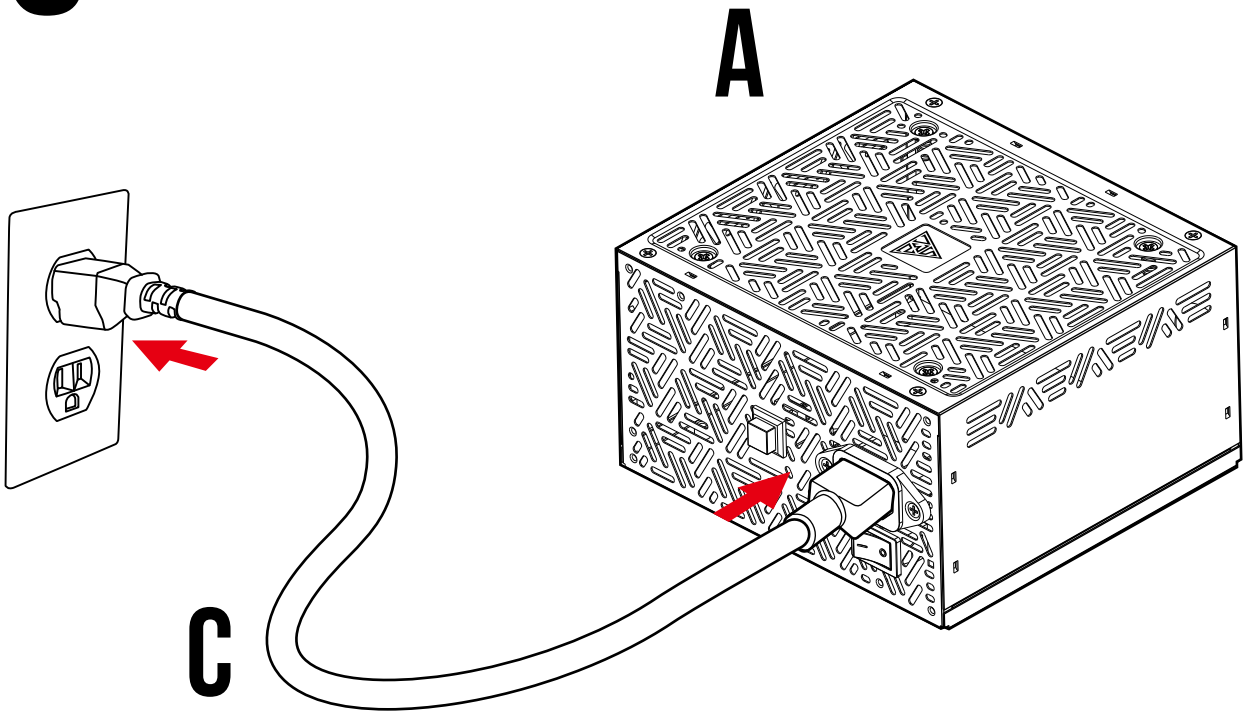
**A**



**!** KRATOS E1-600 only support 5V addressable (digital) RGB header

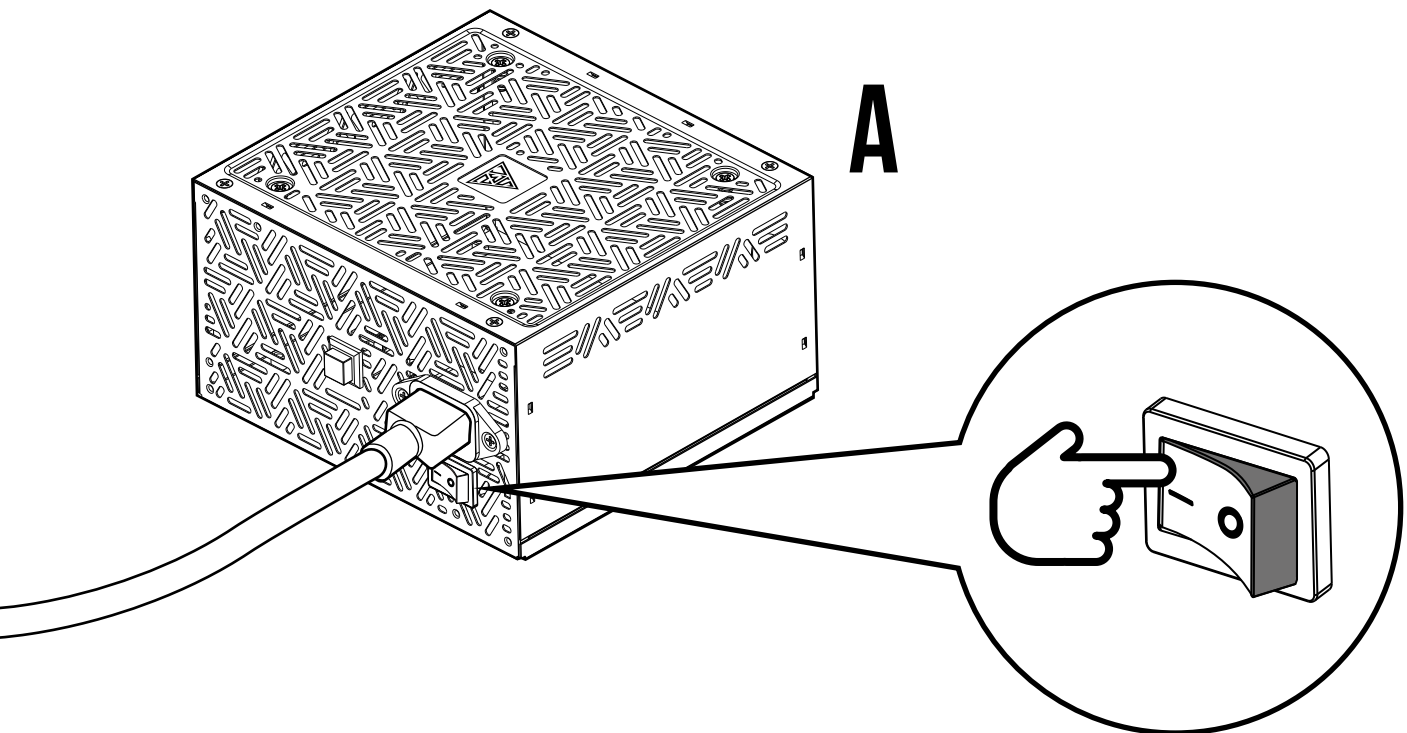


# 10



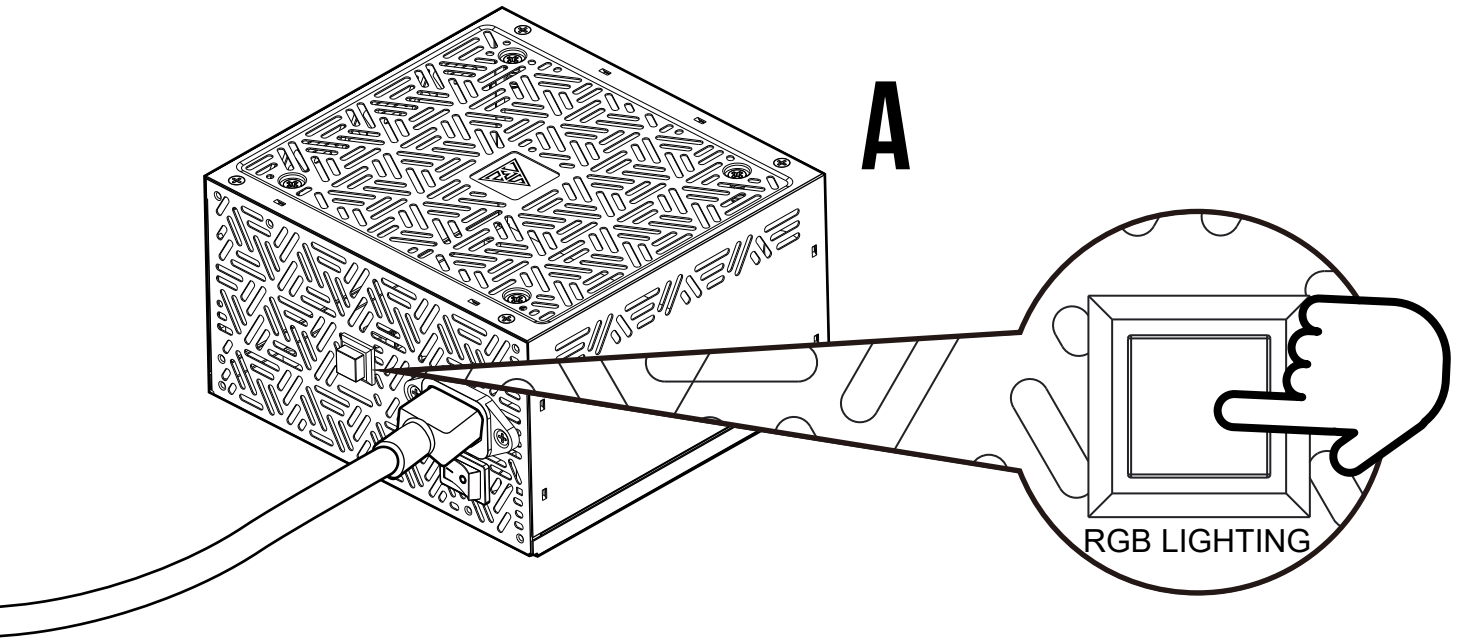
# 11

Turn on the PSU after installing by pushing I/O switch to "I" position.



# 12

By long pressing the button for 3 seconds, easily switch between motherboard manufacture sync and the built-in 30 lighting effects .



3 sec

MB Sync ↔ Built-in Effects



**GAMDIAS**

GAMING ART IN MOTION