

Gaming Series Case



All trademarks and registered marks are the property of their respective companies. Errors excepted. Subject to change without prior notice. Images may differ from original product.

## Gaming Series Case

### Xilent Blast X505.ARGB

The Xilent Blast from the Gaming series is the ideal Computer case for an exciting gaming experience. Due to its construction and the supporting 2 ARGB PWM fans will have a gliding airflow ensures the decisive contribution to the to cool components in heated gaming sessions.

The case was designed in such a way that a PC build can be built easily.



### Highlights

- Tool-free installation for HDD / ODD possible
- A power supply shroud is installed at the bottom for better ventilation in the case
- Suitable for 240mm water cooling on top or front | 1x120mm rear water cooling
- Suitable for graphics cards up to a length of 315mm and coolers up to a height of 170mm
- Materials in the housing ensure low-noise and low-vibration operation
- There is up to 18mm of space behind the mainboard for individually designed cable management
- Efficient dust filters on top, easy to remove and clean
- 2xUSB 3.0 Ports im Top-Panel
- 2x ARGB PWM fans front and rear
- Control board with integrated PWM function for 3 pin ARGB and normal 3 pin fans

### Design

- Unique front panel design with ARGB lines and a mesh gap
- Snap-on front panel for easy PC assembly
- Black powder-coated housing with tempered glass on the window side for a classy look

### Service

- Two-year manufacturer's warranty
- Product development, design and quality control in Germany

## Gaming Series Case

### Specifications

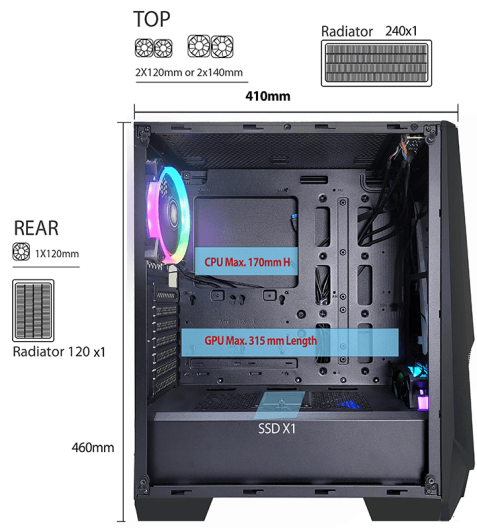
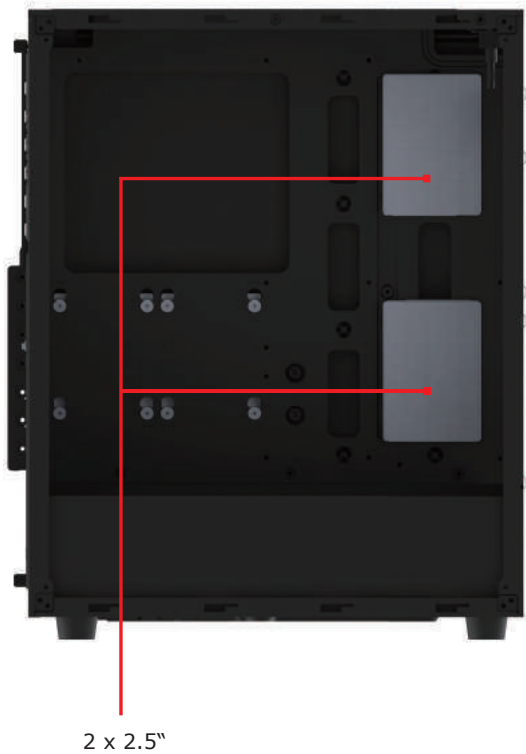
Case Type	Midi Tower
Case Dimensions (L x B x H in mm)	350 x 206 x 430mm
Metal Structure Dimensions (L x B x H in mm)	410 x 206 x 460mm, with Front-Panel
Package Dimensions (L x B x H in mm)	530 x 270 x 480mm
Mainboard-Compatibility	ATX, micro-ATX, mini-ITX
Formfactor PSU	ATX (not included)
Case Material	Steel (SGCC), black powder-coated
Material Front Panel	ABS-Plastic
Material Side Panel	Tempered glass
Multi-Media I/O-ports	2 x USB 3.0, 1 x USB 2.0, HD Audio (Microphone + Audio)
PCI slots	7
Drive Capacity	2 x 3.5" / 2.5" + 4 x 2.5"
Cooling Fan Support (mm)	Front: up to 3 x 120mm / 2 x 140mm Top: up to 2 x 120mm / 140mm Rear: up to 1 x 120mm Bottom: up to 2 x 120mm
Radiator Support (mm)	Front: up to 1 x 240mm Top: up to 1 x 240mm Rear: 1 x 120mm
Hardware Dimensions (mm)	Cooler height: 170mm GPU length: up to 315mm PSU length: up to 160mm (recommended 140mm)
SSD	up to 2 x on Shroud
Weight (kg)	4.8 kg (Net), 6 kg (Gros)



All trademarks and registered marks are the property of their respective companies.  
 Errors excepted. Subject to change without prior notice. Images may differ from original product.

# Gaming Series Case

## Storage capacity and Details



# Gaming Series Case

## Control Board

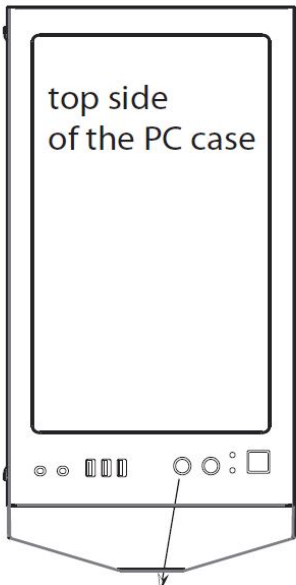
Thanks to the Xilent Blast integrated Control board becomes the addressable RGB LED Control and the fan control of the connected case fan synchronized and controlled.

The board has six male 3-PIN (5V) ARGB connectors and over six mini 3-PIN DC (12V) fan connectors.

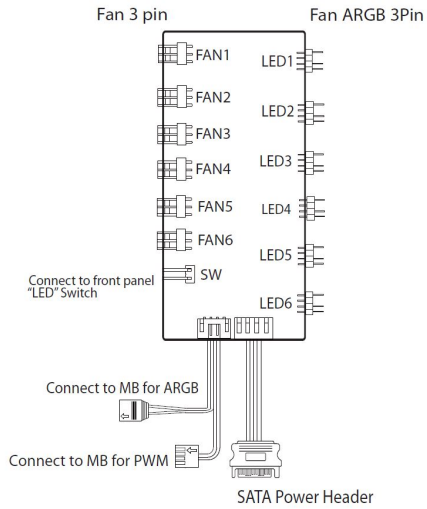
The different color modes can be quite simple can be changed using the LED button on the PC.



Control Board



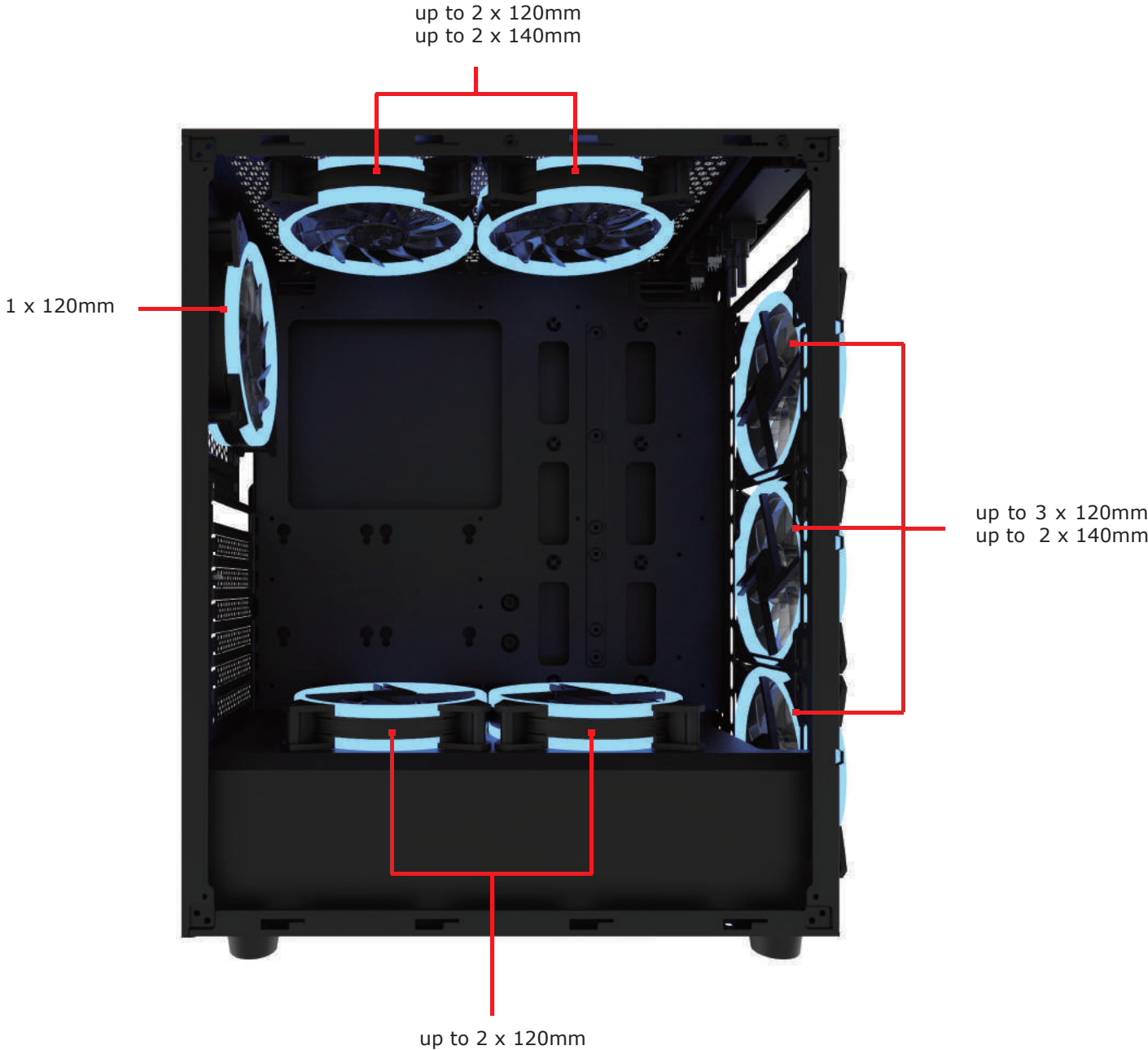
LED BUTTON



All trademarks and registered marks are the property of their respective companies. Errors excepted. Subject to change without prior notice. Images may differ from original product.

# Gaming Series Case

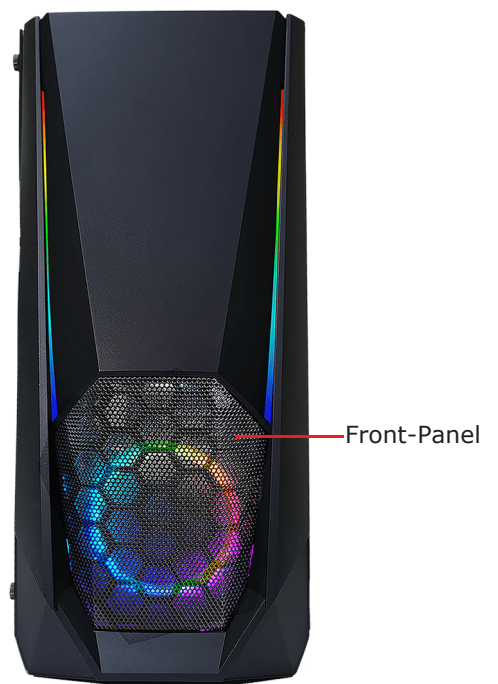
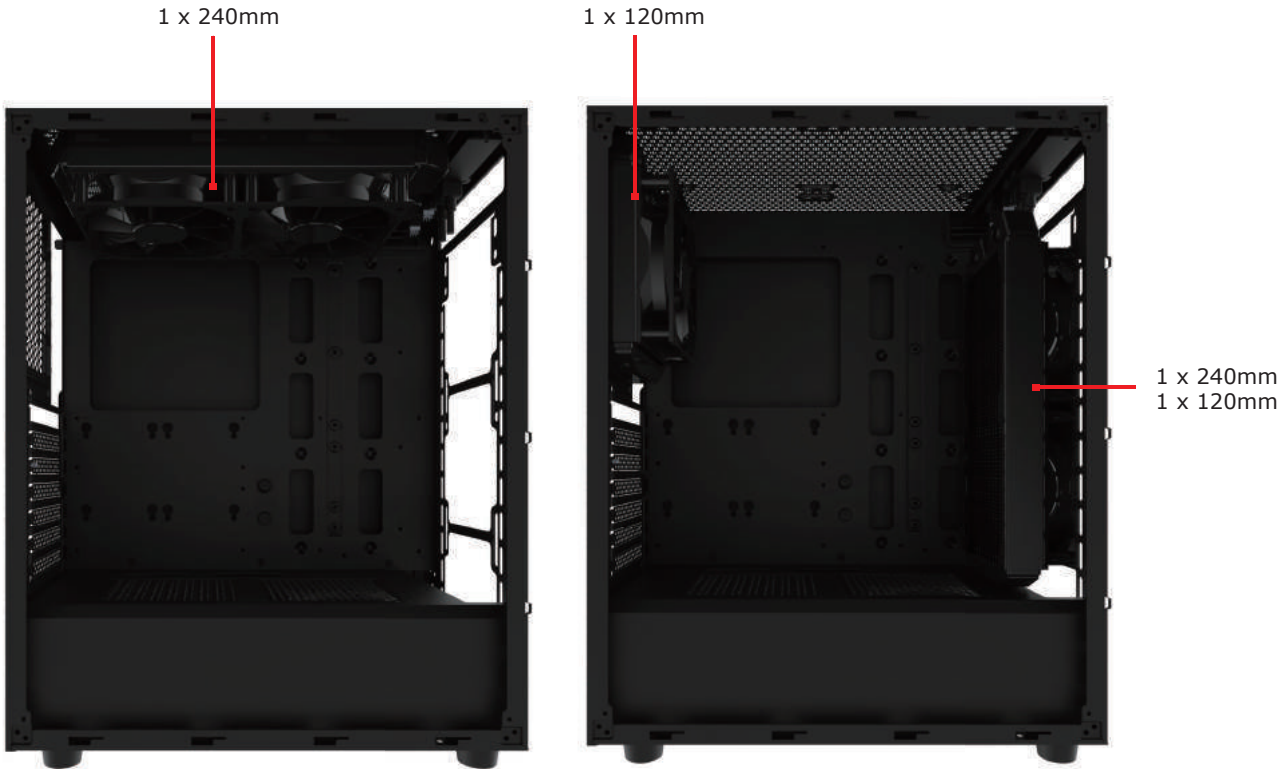
## Cooling Solution



All trademarks and registered marks are the property of their respective companies. Errors excepted. Subject to change without prior notice. Images may differ from original product.

## Gaming Series Case

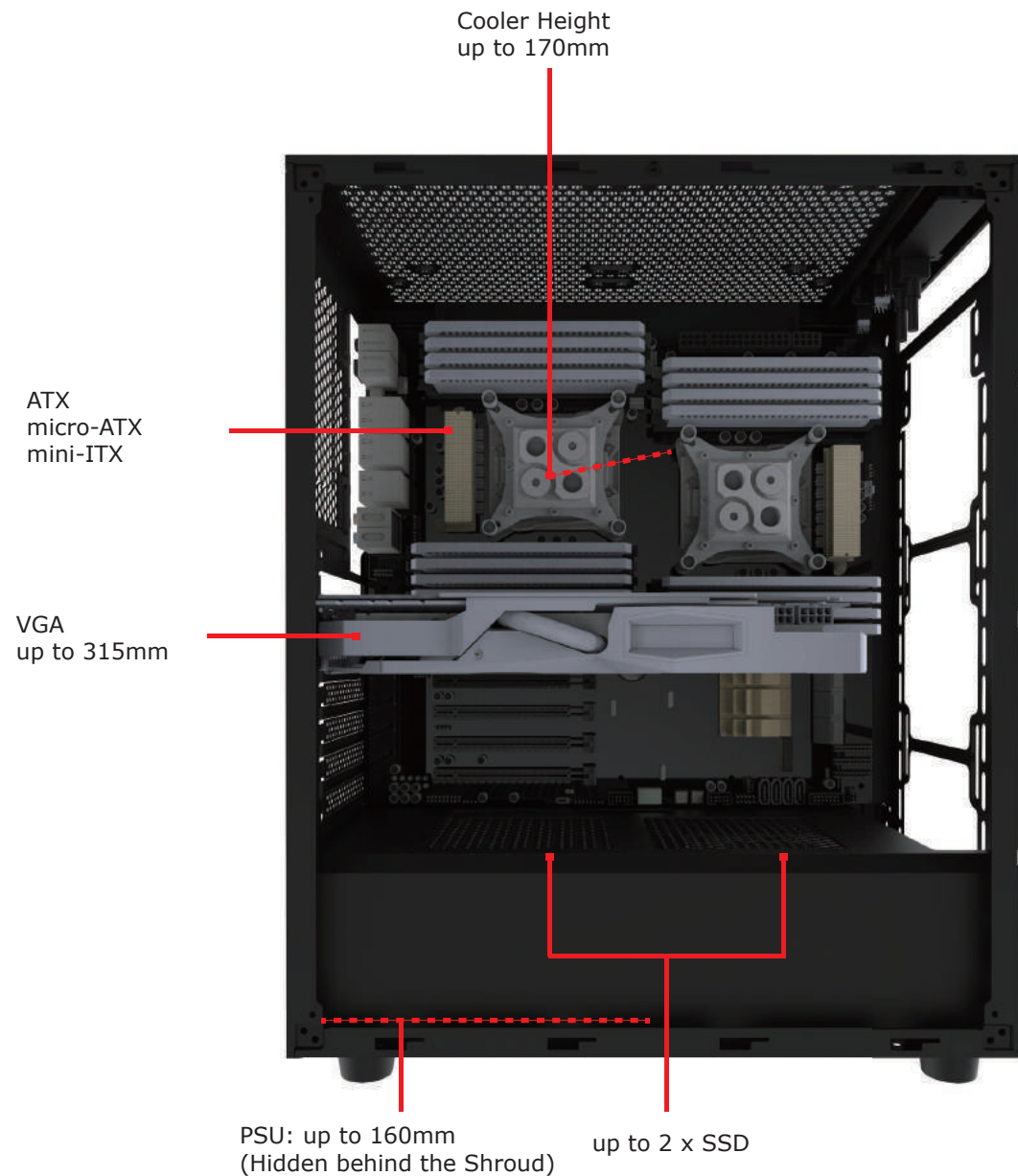
### Radiator Support, Top & Front Panel



All trademarks and registered marks are the property of their respective companies. Errors excepted. Subject to change without prior notice. Images may differ from original product.

## Gaming Series Case

### Maximum Dimensions



### Logistical Data

Manufacturer Number	X505.ARGB
Item Number	XG141
EAN Barcode	4044953503245



All trademarks and registered marks are the property of their respective companies. Errors excepted. Subject to change without prior notice. Images may differ from original product.