

P14 PWM PST RGB 0dB

BLACK



Semi-Passive 140 mm Case Fan with RGB



Also available:



P14 PWM PST RGB 0dB Value Pack



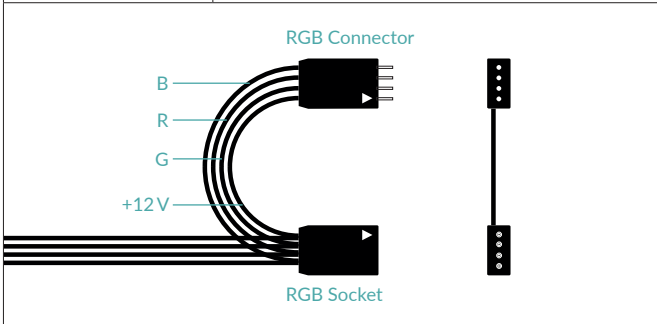
P14 PWM PST RGB 0dB Value Pack with Controller

General Specifications

Dimensions	140 (L) x 40 (W) x 27 (H) mm
Weight	210 g
Package Content	P14 PWM PST RGB 0dB x1 Mounting Screws x4

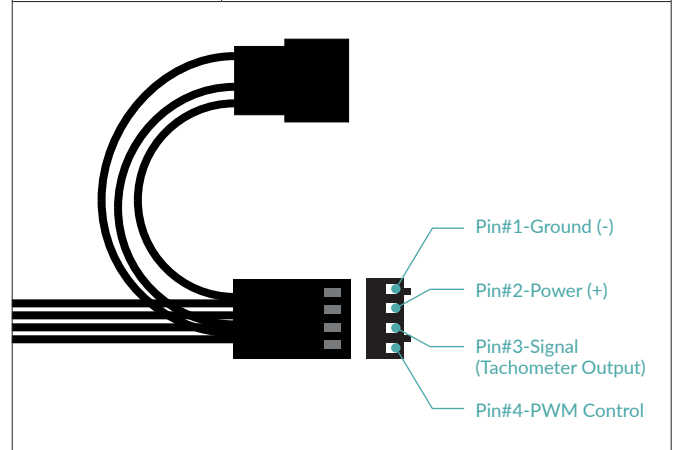
RGB Specifications

Number of LEDs	12
Cable Length	40 + 8 cm
Connector	4-Pin 12 V-G-R-B Connector + 4-Pin Socket
Current/Voltage	0.2 A/12 V



Fan Specifications

Speed	0–1900 rpm
rpm Control	Pulse Width Modulation
Static Pressure	68.9 cfm
Airflow	2 mm H ₂ O
Bearing	Fluid Dynamic Bearing
Cable Length	40 + 8 cm
Connector	4-Pin Connector + 4-Pin Socket
Current/Voltage	0.17 A/12 V



Shipping Information Single Fan

Box Dimensions	167 (L) x 167 (W) x 34 (H) mm
Gross Weight	297 g
SKU	ACFAN00238A
EAN	4895213703475
UPC	840033401289

Shipping Information 3 pc Value Pack

Box Dimensions	144 (L) x 91 (W) x 147 (H) mm
Gross Weight	758 g
SKU	ACFAN00255A
EAN	4895213703482
UPC	840033401296

Shipping Information 3 pc Value Pack with Controller

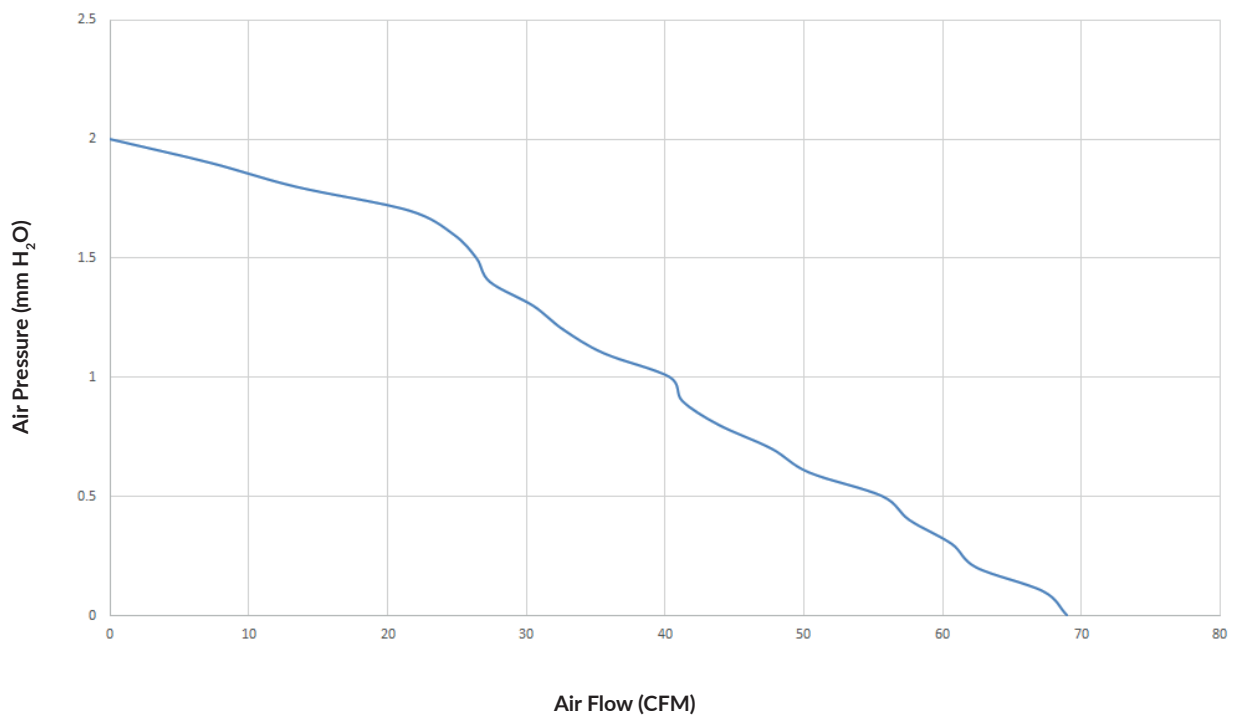
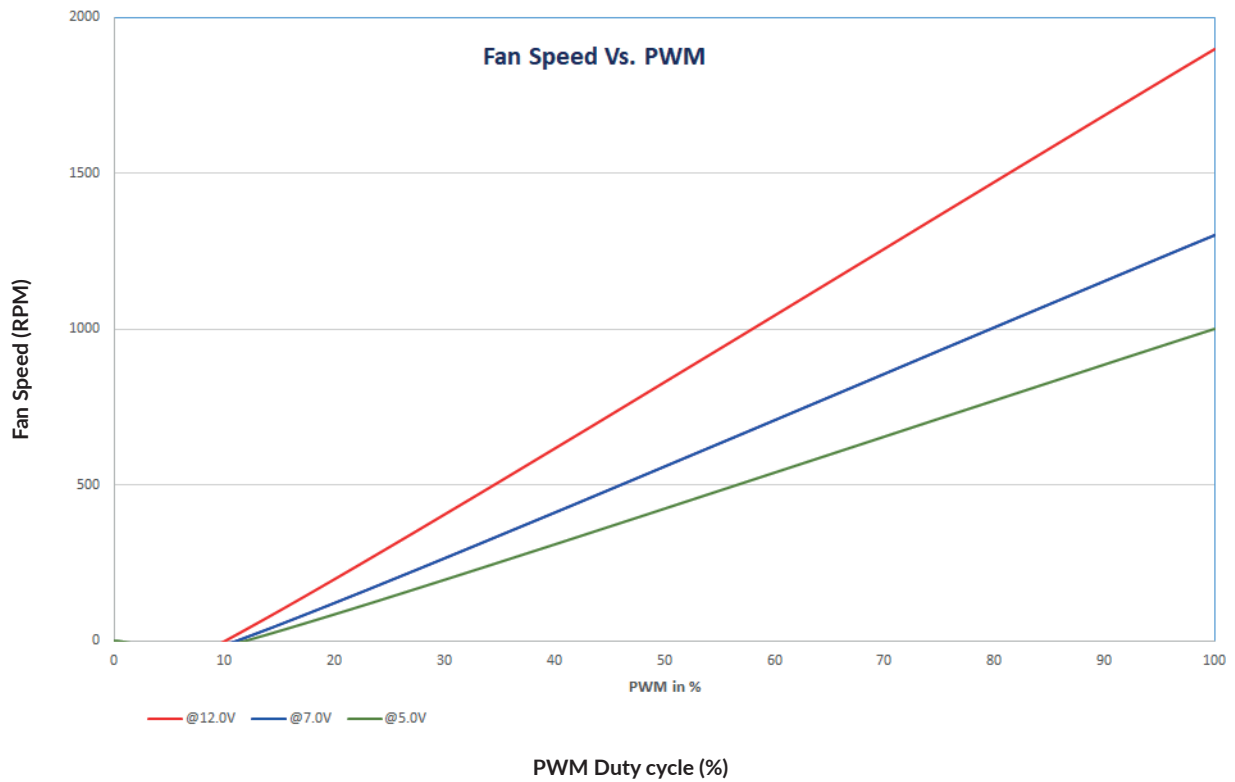
Box Dimensions	144 (L) x 110 (W) x 147 (H) mm
Gross Weight	850 g
SKU	ACFAN00256A
EAN	4895213703499
UPC	840033401302

P14 PWM PST RGB 0dB

BLACK



Semi-Passive 140mm Case Fan with RGB

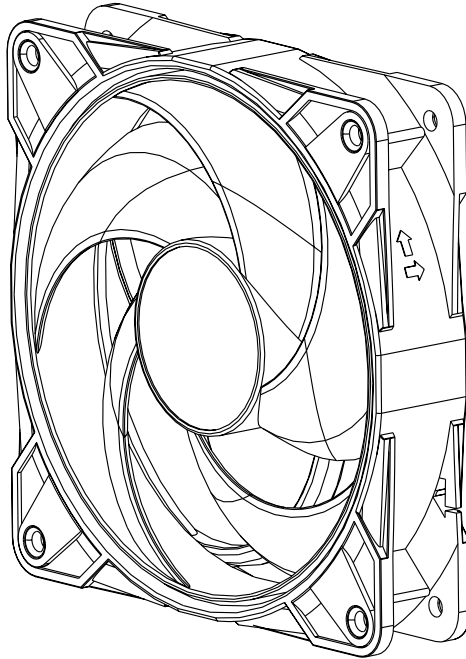


P14 PWM PST RGB 0dB

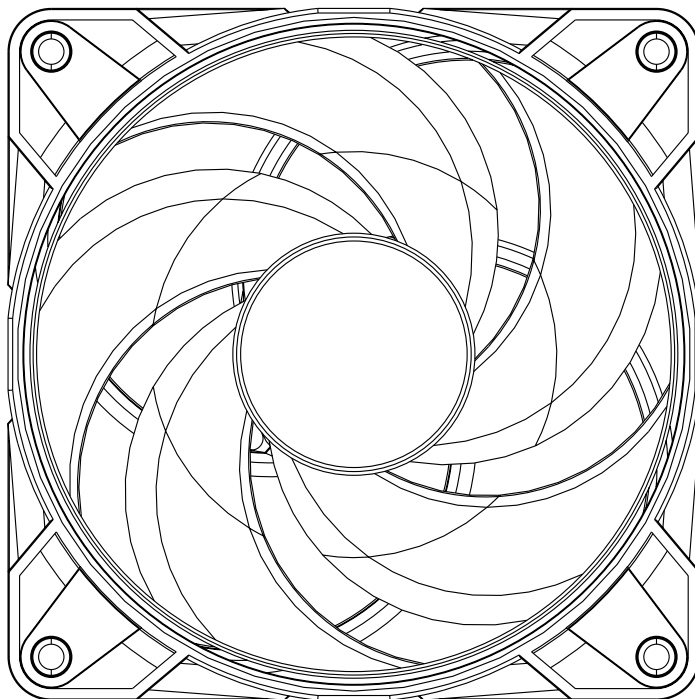
BLACK



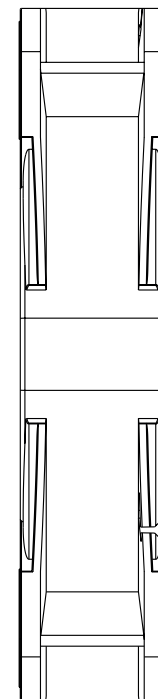
Semi-Passive 140 mm Case Fan with RGB



← 140 mm →



← 27 mm →



140 mm

All materials are compatible with RoHS requirements



Product Information



Manual