

# P12 PWM PST

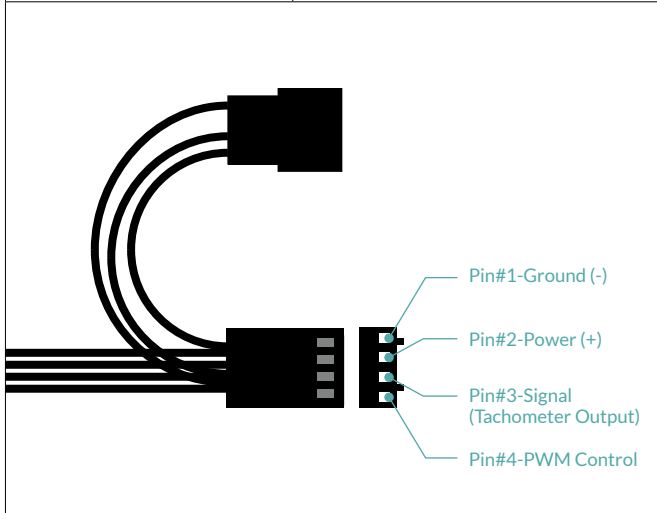


## 120 mm PWM PST Case Fan



### Fan Specifications

Dimensions	120 (L) x 120 (W) x 25 (H) mm
Weight	145 g
Speed	200–1800 rpm, 0 rpm below 5% PWM
rpm Control	Pulse Width Modulation – PWM
Static Pressure	2.20 mm H <sub>2</sub> O
Airflow	56.3 cfm   95.70 m <sup>3</sup> /h
Bearing	Fluid Dynamic Bearing
Cable Length	400 mm
Connector	4-Pin Connector + 4-Pin Socket
Current/Voltage	0.1 A/12 V
Starting Voltage	3.9 V
Noise Level	0.3 Sone
Ambient Operating Temperature	0–40 °C



### Shipping Information Single Fan – Black

Dimensions	123 (L) x 123 (W) x 27 (H) mm
Weight	180 g
SKU	ACFAN00120A
EAN	4895213702966
UPC	840033400763
Package Content	P12 PWM PST x1 Mounting Screws x4

### Shipping Information Single Fan – White

Dimensions	123 (L) x 123 (W) x 27 (H) mm
Weight	180 g
SKU	ACFAN00170A
EAN	4895213702935
UPC	840033400732
Package Content	P12 PWM PST x1 Mounting Screws x4

### Shipping Information Single Fan – White/Transparent

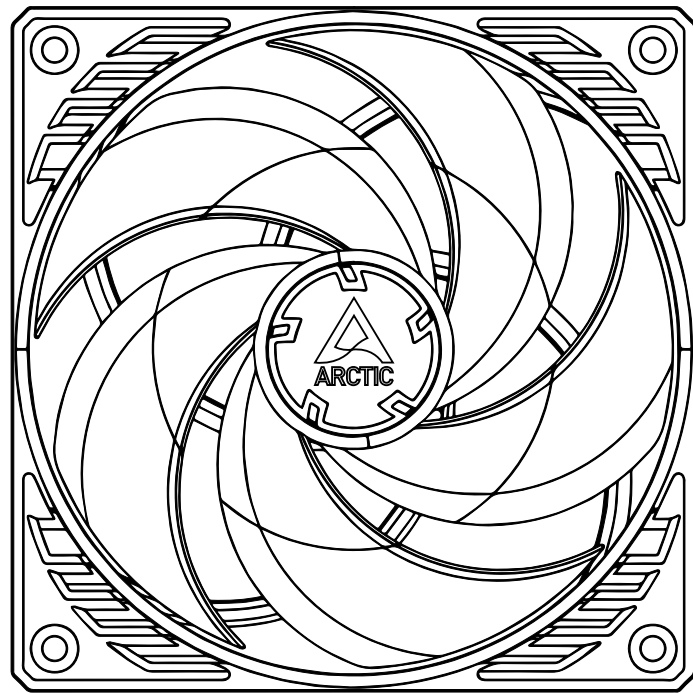
Dimensions	123 (L) x 123 (W) x 27 (H) mm
Weight	180 g
SKU	ACFAN00132A
EAN	4895213702935
UPC	840033400732
Package Content	P12 PWM PST x1 Mounting Screws x4

### Shipping Information Pack of 5 Value Pack – Black

Dimensions	123 (L) x 130 (W) x 127 (H) mm
Brutto Gewicht	850 g
SKU	ACFAN00137A
EAN	4895213703345
UPC	840033401159
Package Content	P12 PWM PST x5 Mounting Screws x20

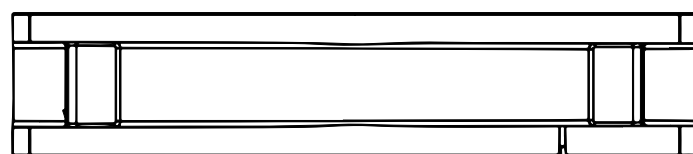
# P12 PWM PST

120 mm PWM PST Case Fan



120 mm

120 mm



25 mm



All materials are compatible with RoHS requirements.

MORE INFORMATION



MANUALS

