

S4028-6K

40 mm Server Fan

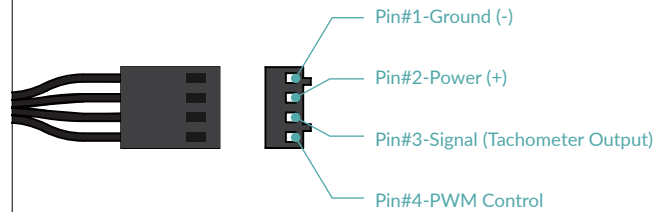


General Specifications

Dimensions	40 (L) x 40 (W) x 28 (H) mm
Weight	40 g
Flammability UL94	V-0
Warranty	6 Years

Fan Specifications

Speed	250–6000 rpm
Speed Control	Pulse Width Modulation – PWM
Static Pressure	4.2 mmH ₂ O
Airflow	7.1 CFM 12.06 m ³ /h
Bearing	Dual Ball Bearing
Cable Length	400 mm, Black
Connector	2510 4-Pin Fan Connector
Current/Voltage	0.1 A 12.0 V DC
Start up Voltage	4.5 V



Shipping Information – Single Fan

Package Content	S4028-6K x1 Mounting Screws x4
Box Dimensions	45 (L) x 33 (W) x 57 (H) mm
Gross Weight	48 g
SKU	ACFAN00185A
EAN	4895213703796
UPC	840033401609

Shipping Information – Value Pack

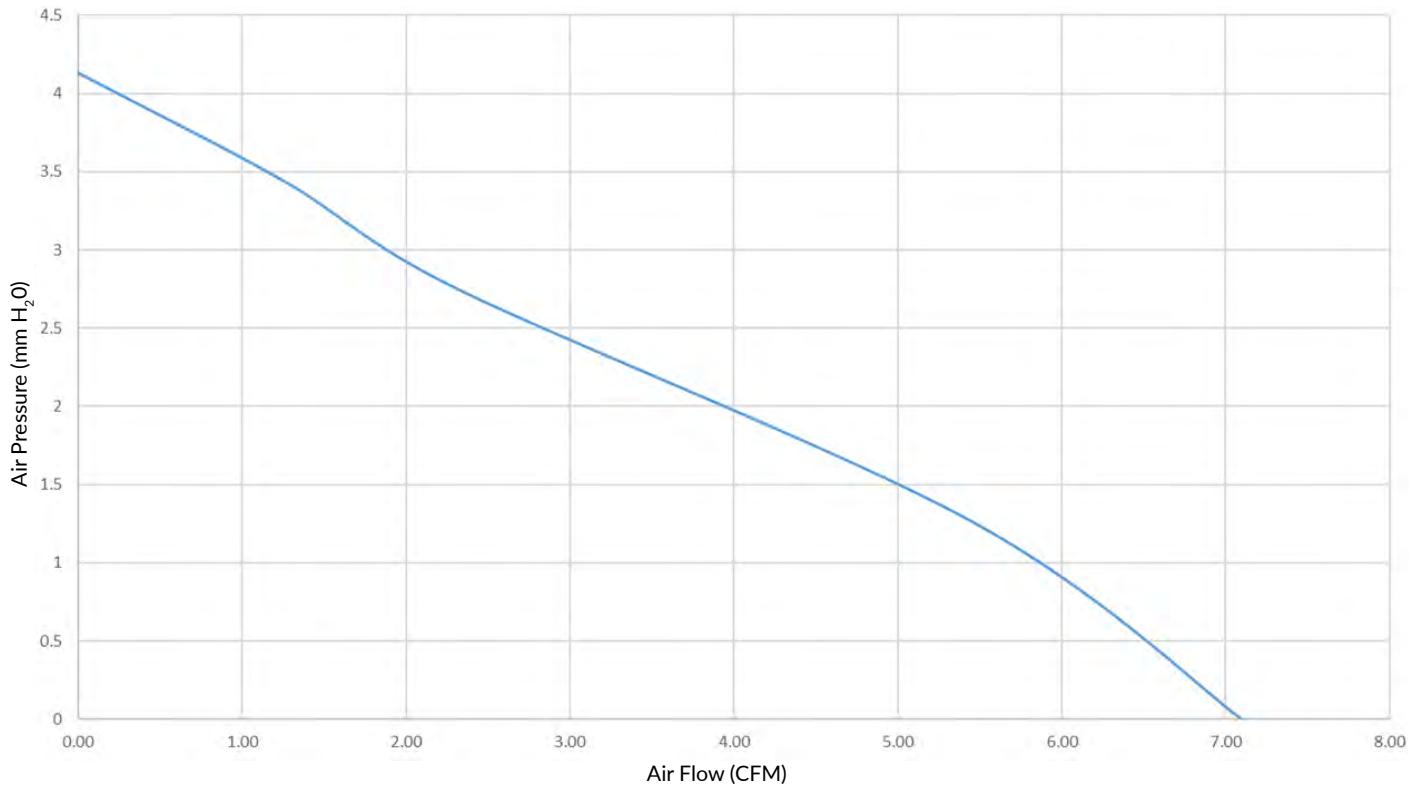
Package Content	S4028-6K x5 Mounting Screws x20
Box Dimensions	86 (L) x 90 (W) x 55 (H) mm
Gross Weight	230 g
SKU	ACFAN00273A
EAN	4895213703819
UPC	840033401623

S4028-6K

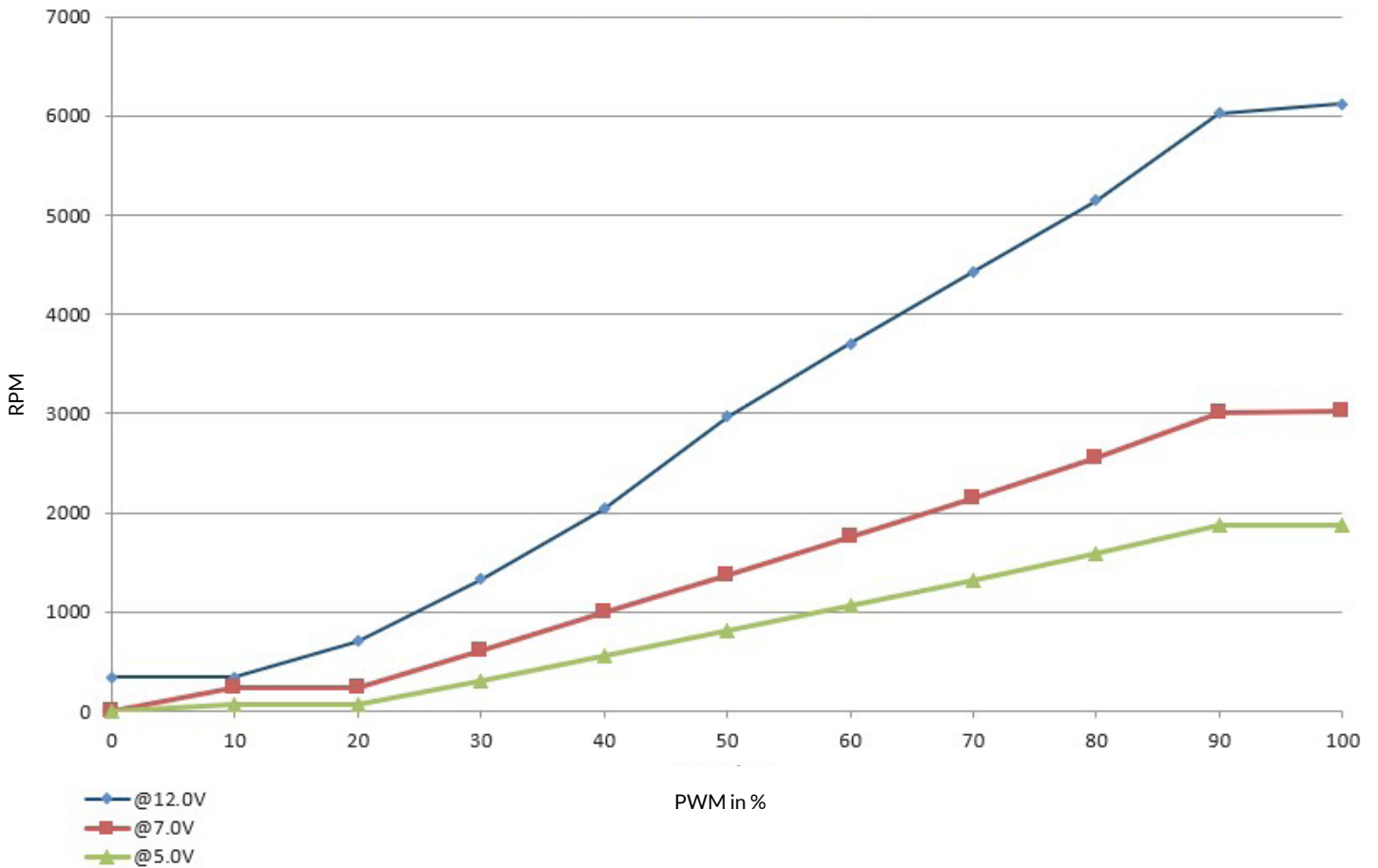
40 mm Server Fan



P/Q Curve

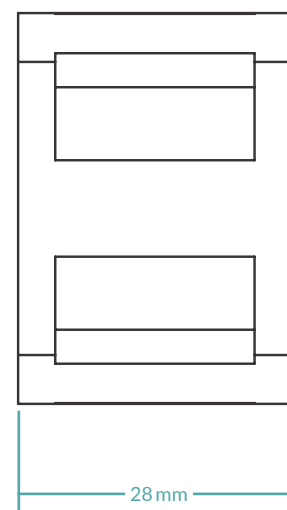
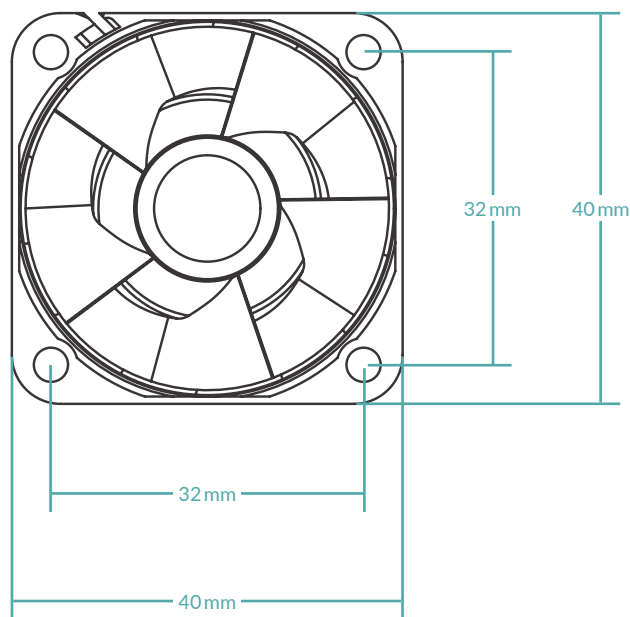


PWM to rpm Curve



S4028-6K

40 mm Server Fan



All materials are compatible with RoHS requirements.

MORE INFORMATION



MANUALS

