

Alphacool Eiswolf 2 AIO - 360mm RTX 4090 AMP with Backplate

Alphacool article number: 13480

Download Center



Quick Info

The Alphacool Eiswolf 2 is the first full cover GPU AIO waterblock from Alphacool. It is based on the Alphacool GPX Eisblock Aurora GPX water block, a pump unit and a 360mm NexXoS ST30 full copper radiator. The latter is equipped with the Alphacool Aurora Rise Digital RGB fans.

- Full copper radiator
- Virtually silent DC-LT 2 pump
- Chrome-plated copper cooler
- Digital aRGB illuminated cooler
- Digital aRGB 120mm fans

Compatibility

- Manli GeForce RTX 4090 Gallardo, 24GB GDDR6X (N67540900M35300)
- Zotac Gaming GeForce RTX 4090 AMP Extreme AIRO, 24GB GDDR6X (ZT-D40900B-10P)
- Zotac Gaming GeForce RTX 4090 Trinity OC, 24GB GDDR6X (ZT-D40900J-10P)
- Zotac Gaming GeForce RTX 4090 Trinity, 24GB GDDR6X (ZT-D40900D-10P)

Scope of delivery

1x Eiswolf 2 (pump, cooler, backplate)	12x M3x30mm Screw
1x Radiator NexXoS ST30 360mm	1x PWM Cable Y-Adapter
3x Fans Rise Aurora 120mm	1x aRGB Adapter
1x Montage Set GPU Cooler	1x Plug tool
12x M3x6mm Screw	

Technical data radiator

Dimensions (L x W x H)	395 x 124 x 30mm (+/- 3%)
Material cooling fins, chambers & channels	Copper
Material threads	Brass
Material outer housing	stainless steel
G 1/4" threads	2 x for tubes (+ 1x Fillport G1/4")
For fan size	120 mm
Options for fan assembly	3 x one-sided / 6 x both-sided

Technical data cooler and pump

Dimensions (L x W x H)	232,40 x 154,69 x 49,39mm
Material cooler bottom	Chrome plated copper
Material cooler top	acrylic
Threads	2 x G1/4"
Pump type	DC-LT 2
Pump speed	2600 rpm (+/- 10%)
Head of delivery	1 m
Maximum flow rate	72 L/h
Voltage	6-13.5V DC
Power consumption	3.2W
MTBF	50.000 h

Technical data liquid

Color	clear
Ingredient 1	Distilled water (CAS-number 7732-18-5)
Ingredient 2	Glysantin (CAS-number 1017-21-1)
Working temperatures	-15 C° / +90 °C

Technical data quick fasteners

Dimensions (L x D)	95 x 27mm
Material	Nylon
For tube size	12,7 / 7,6mm
Color	Black

Technical data fittings

L x D straight fitting	24 x 18mm
Quantity straight fittings	2x
L x B x H 90° fitting	35 x 27 x 17mm
Quantity 90° fittings	2x
For tube size	12,7 / 7,6mm
Material fittings	Brass

Technical data tube

Length	50cm
Material tube	TPV (EPDM/PP)
Color	Matt black
Tube size	12,7 / 7,6mm
Hardness grade	35 Shore-A to 50 Shore-D
Working temperature	-50 to +155 °C

Technical data fan

Speed	0 - 2500 RPM
Static pressure	3,17 mm H2O
Air flow rate	119,8 m³/h
Bearings	Sleeve bearing
Fan connector	4-Pin PWM
Connection Digital aRGB	3-Pin JST + 3-Pin 5V
Dimensions (L x W x H)	120 x 120 x 25mm
Net weight	187g
Max working temperature	60°C

Download links

Manuals	13480_Alphacool_Eiswolf_2_AIO_-_360mm_RTX_4090_AMP_with_Backplate_Manual(1).pdf 13480_Alphacool_Eiswolf_2_AIO_-_360mm_RTX_4090_AMP_with_Backplate_Manual(2).pdf
Safety data sheet	13480_Alphacool_Eiswolf_2_AIO_-_360mm_RTX_4090_AMP_with_Backplate_SDS.pdf
Product pictures	13480_Alphacool_Eiswolf_2_AIO_-_360mm_RTX_4090_AMP_with_Backplate_pics.zip

Packaging dimensions per unit

L x W x H	475 x 380 x 155 mm
Weight	5000 g

Other data

Certificates	CE, FC, RoHS
EAN	4250197134804
Customs code	84195080900

The Alphacool Eiswolf 2 is the first full cover GPU AIO waterblock from Alphacool. It is based on the Alphacool GPX Eisblock Aurora GPX water block, a pump unit and a 360mm NexXoS ST30 full copper radiator. The latter is equipped with the Alphacool Aurora Rise Digital RGB fans.

Fullcover Waterblock?

The Eiswolf 2 graphics card AIO water block not only cools the GPU with liquid but also all relevant components that require active cooling. This includes the graphics memory, the VRM and, if necessary, other components that require direct cooling. By using the Eisblock GPX Aurora water cooler, the cooling capacity is identical to that of a DIY graphics card water cooler.

Chrome-plated copper

The cooler is made entirely of chrome-plated copper. A chrome plating is much harder than a nickel plating and therefore less sensitive to acids, scratches and damage. It completely eliminates the risk of chipping nickel plating. Additionally, chrome plating looks much more homogeneous and provides a shine that cannot be achieved by nickel plating. Chrome-plated coolers have previously only been used in the industrial sector in areas where extreme influences act on the coolers.

Pump

The Eiswolf 2 has a pump unit in place of the normal connection terminal. This pump unit houses the DC-LT 2 pump. An improved and quieter version of the well-known DC-LT Low Noise Ceramic Pump. Despite looking rather large, the pump unit is only 5 mm wider than a normal connection terminal.

Fittings and Tubing

As with all new AIO units, Alphacool uses only TPV hoses from the Enterprise Solution range for (usually reserved for servers and workstations) in the Eiswolf 2. The tubing is made of EPDM/PP and are extremely heat-resistant, durable, and free of plasticizers. All fittings are also based on the Enterprise Solution range and match the TPV hoses perfectly.

Expandability

By using the quick-release fastener, the Eiswolf 2 can be connected to another Alphacool AIO unit to achieve a larger loop in seconds. Alphacool offers various prefilled components with which the loop can be easily extended. For safety reasons, the quick-release fasteners are firmly screwed together and not just plugged together.

Lighting and fans

The Eiswolf 2 cooler has a digital RGB LED lighting, also called addressable RGB LEDs. They run along the entire back of the graphics card cooler and provide complete illumination of the water cooler. The pump unit is more discreet and offers a green glowing logo for Nvidia and a red glowing logo for AMD cards. The name "Eiswolf" on the pump unit remains unlit, discreetly in the background. The fan used is the Aurora Rise with 120mm. Due to the special blade design, the fan is extremely quiet and the addressable RGB LEDs provide brilliant illumination. The Alphacool Aurora Rise fan convinces with a max. static pressure of 3.17mm/H₂O and offers a max. air flow of 119.8m³/h. The PWM control allows the fan to be controlled over a wide speed range. In addition, it offers a zero control. It can therefore be regulated down to 0 rpm and then starts with approx. 350 rpm.

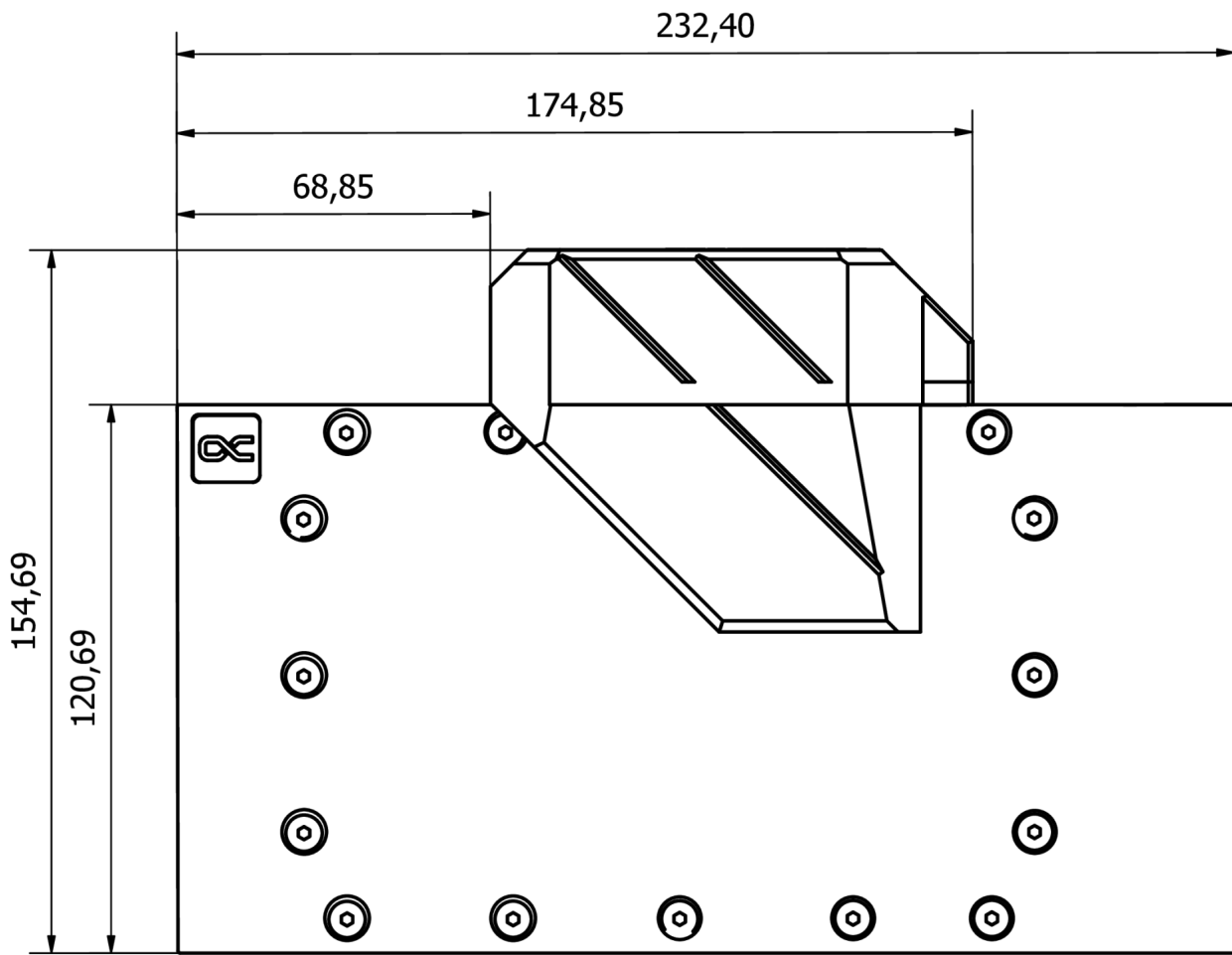
NexXoS Radiator

As with all AIO units, Alphacool uses radiators from the world renowned NexXoS series. The full copper radiators offer a much higher cooling capacity than aluminium radiators and have contributed significantly to Alphacool's worldwide success.

The combination of all of the components results in a solution that is as simple as an AIO solution to install, but with the performance of a pre-assembled and prefilled custom loop.

Technical note!

Due to long storage times and various transport routes, the liquid in the Eiswolf 2 AIO remains still for a long time. The ingredients of the liquid can therefore deposit and lead to a brownish discoloration. As soon as the pump starts operating, the ingredients mix again and the liquid should regain an approximately clear color. This is not a reason for complaint as neither the performance nor the function of the AIO are restricted by this. If the discoloration of the cooling liquid does not disappear after the AIO has been put into operation, please contact our support team via E-Mail (info@alphacool.com). You will receive quick and uncomplicated help there.



General tolerance: $\pm 0,25$ mm
Dimension in millimeter