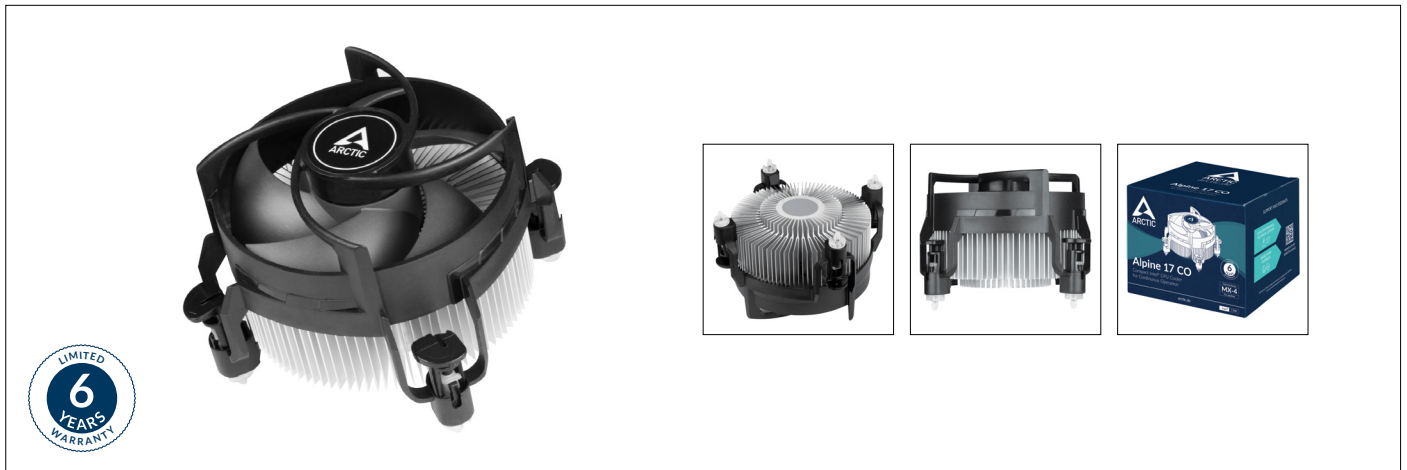


Alpine 17 CO

Compact Intel CPU Cooler for Continuous Operation



General Specifications

Compatibility	Intel® 1700
Heatsink	Radial Heatsink
TIM	MX-4 Pre-applied
Noise Level	0.3 Sone
Warranty	6 years warranty
Dimensions	95 (L) x 95 (W) x 78.8 (H) mm
Installation Height	66.25 mm
Weight	288 g

Fan Specifications

Speed	250–2700 rpm
Fan Diameter	92 mm
Speed Control	Pulse Width Modulation – PWM
Connector	4-Pin PWM-Fan-Connector
Bearing	Dual Ball Bearing
Current/Voltage	0.09 A/12 V DC
Cable	200 mm Fan Cable, Black

Heatsink Specifications

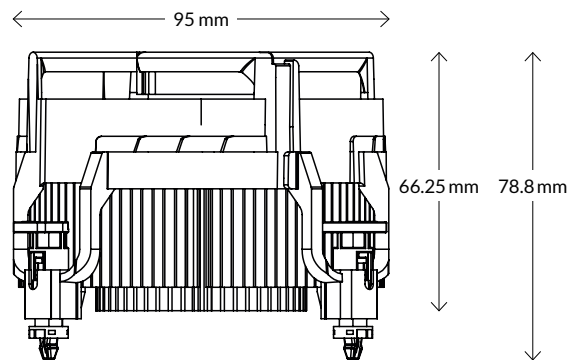
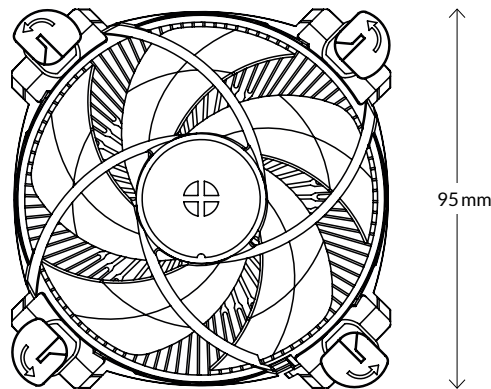
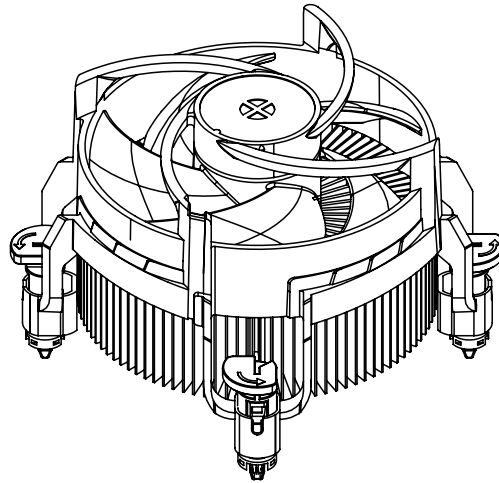
Height	32.75 mm
Diameter	93.6 mm
Material	Aluminum

Shipping Information

Box Dimensions	99 (L) x 99 (W) x 82 (H) mm
Gross Weight	319 g
SKU	ACALP00041A
EAN	4895213703901
UPC	840033401715

Alpine 17 CO

Compact Intel CPU Cooler for Continuous Operation



All materials are compatible with RoHS requirements

MORE INFORMATION



MANUALS

