

F14 PWM PST CO



140 mm PWM PST Case Fan for Continuous Operation

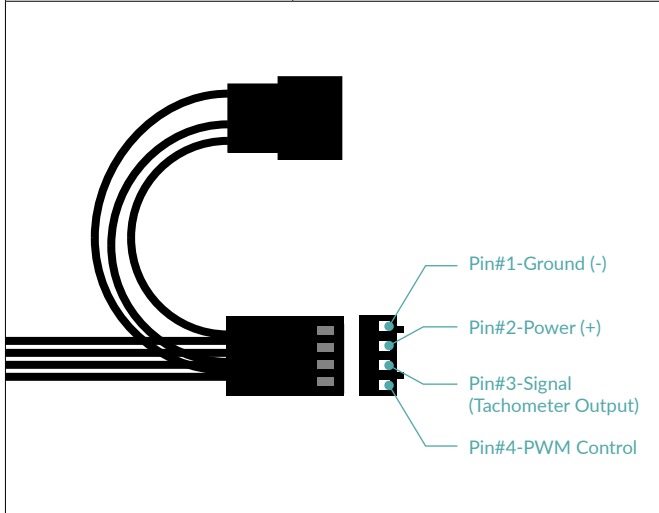


Fan Specifications

Dimensions	140 (L) x 140 (W) x 27 (H) mm
Weight	181 g
Speed	200-1350 rpm, 0 rpm <5% PWM
rpm Control	Pulse Width Modulation - PWM
Static Pressure	1.3 mmH ₂ O
Airflow	74 cfm 126 m ³ /h
Bearing	Dual Ball Bearing
Cable Length	400 mm
Connector	4-Pin Connector + 4-Pin Socket
Current/Voltage	0.11 A 12 V
Starting Voltage	6.0 V
Noise Level	0.5 Sone
Ambient Operating Temperature	0-40 °C

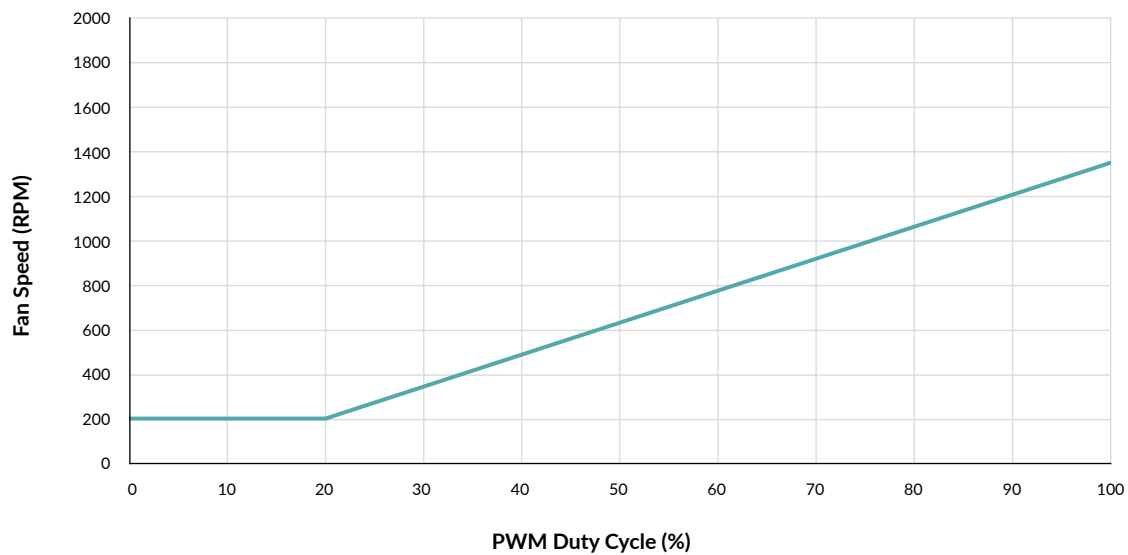
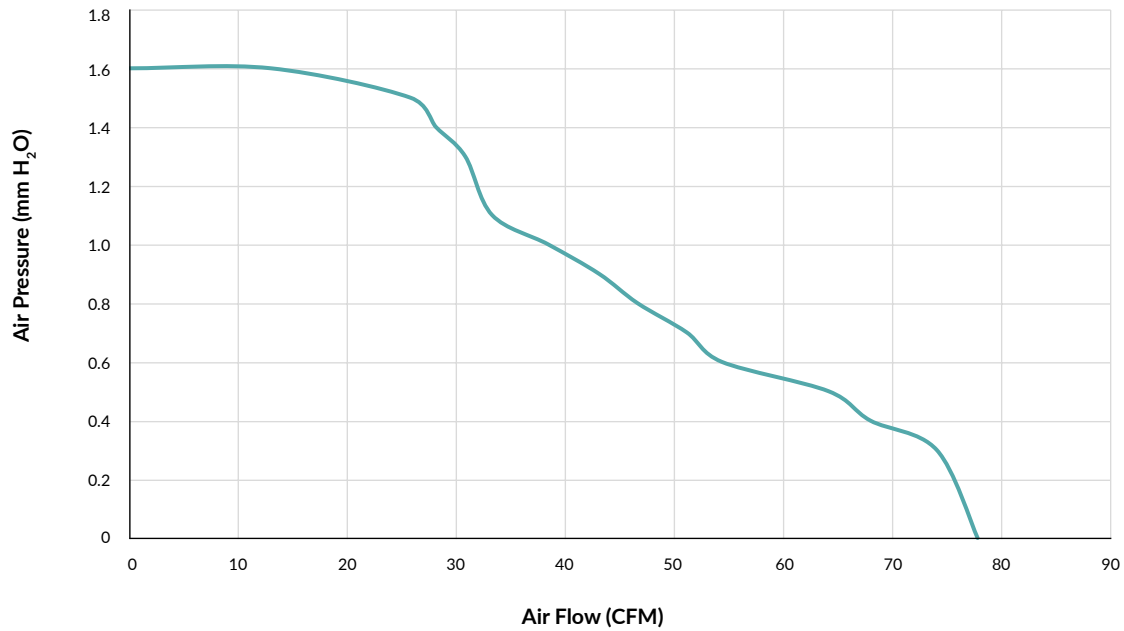
Shipping Information Single Fan - Black

Dimensions	143 (L) x 143 (W) x 29 (H) mm
Weight	223 g
SKU	ACFAN00220A
EAN	4895213703031
UPC	840033400831
Package Content	F14 PWM PST CO x1 Mounting Screws x4



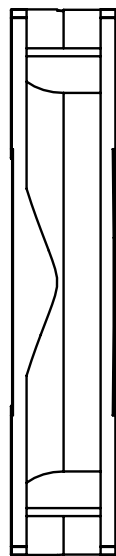
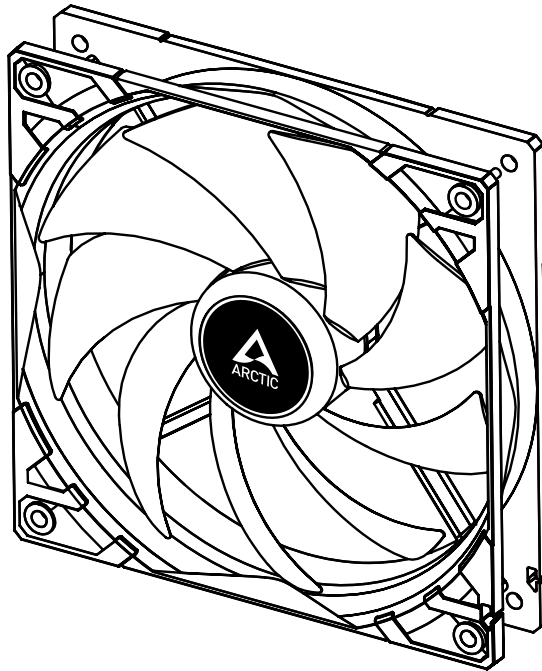
F14 PWM PST CO

140 mm PWM PST Case Fan for Continuous Operation

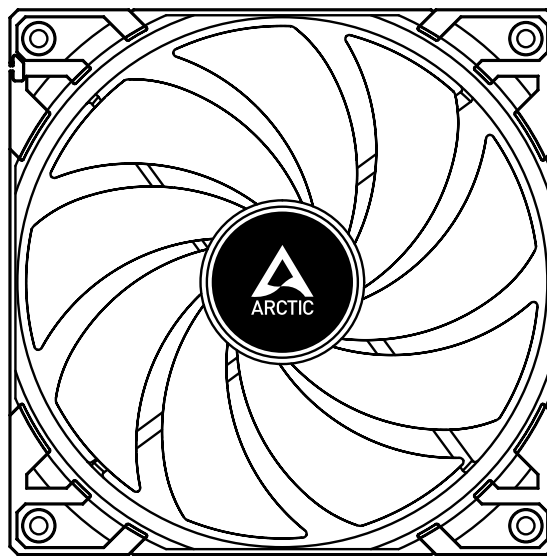


F14 PWM PST CO

140 mm PWM PST Case Fan for Continuous Operation



< 27mm >



140mm



140mm



All materials are compatible with RoHS requirements.

MORE INFORMATION



MANUALS

