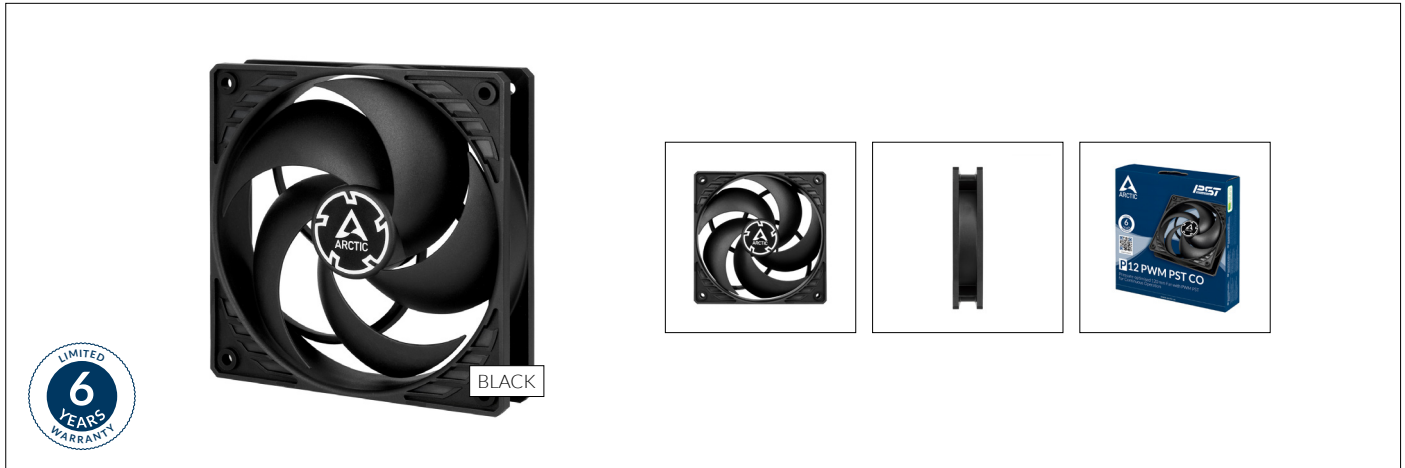


# P12 PWM PST CO



120mm PWM with PST Case Fan for Continuous Operation

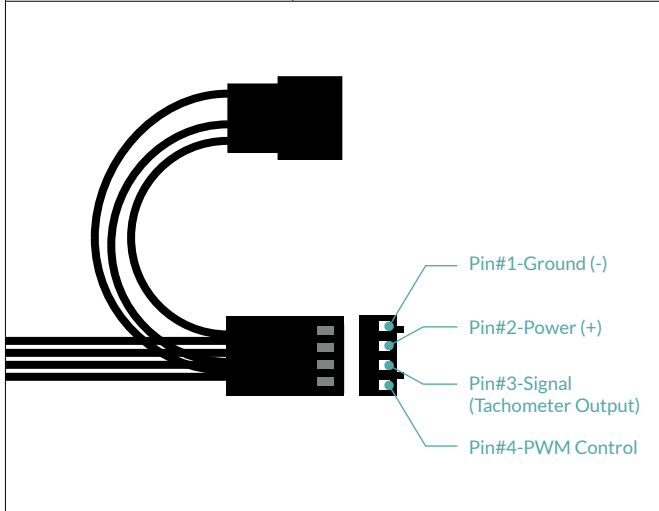


## Fan Specifications

Dimensions	120 (L) x 120 (W) x 25 (H) mm
Weight	145 g
Speed	200-1800 rpm, 0 rpm <5% PWM
rpm Control	Pulse Width Modulation - PWM
Static Pressure	2,20 mmH <sub>2</sub> O
Airflow	56.3 cfm   95.70 m <sup>3</sup> /h
Bearing	Dual Ball Bearing
Cable Length	400 mm
Connector	4-Pin Connector + 4-Pin Socket
Current   Voltage	0.1 A   12 V
Starting Voltage	3.9 V
Noise Level	0.3 Sone
Ambient Operating Temperature	0-40 °C

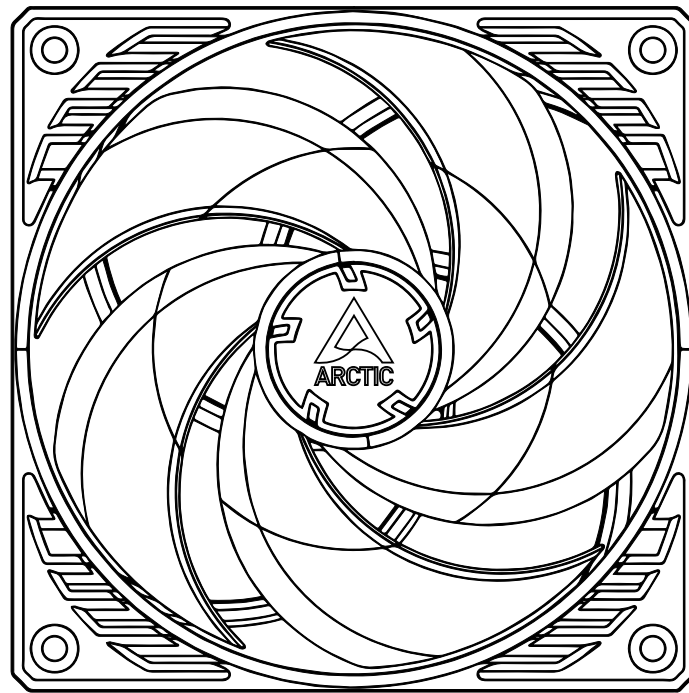
## Shipping Information Single Fan - Black

Dimensions	123 (L) x 123 (W) x 27 (H) mm
Weight	180 g
SKU	ACFAN00121A
EAN	4895213701358
UPC	872767009301
Package Content	P12 PWM PST CO x1 Mounting Screws x4



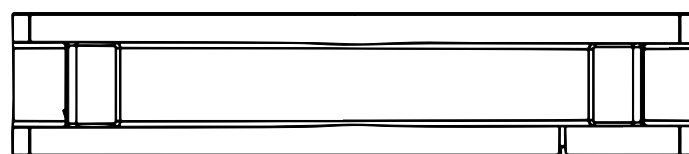
# P12 PWM PST CO

120mm PWM with PST Case Fan for Continuous Operation



120 mm

120 mm



25 mm



All materials are compatible with RoHS requirements.

MORE INFORMATION



MANUALS

