

**AZZA**  
ONE VISION. ONE MISSION

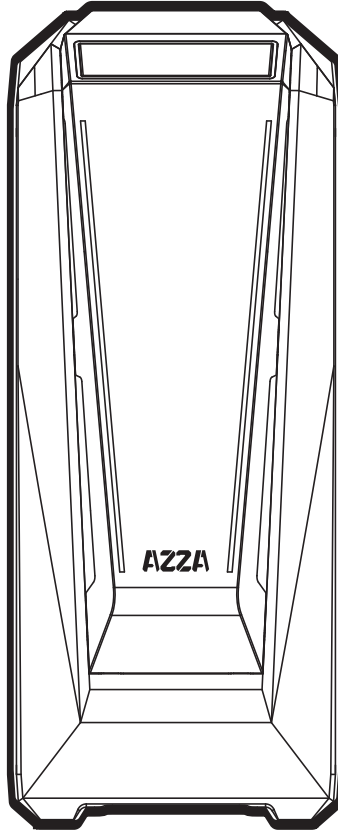
# CHROMA

410A / 410B MID-TOWER TEMPERED GLASS GAMING CASE

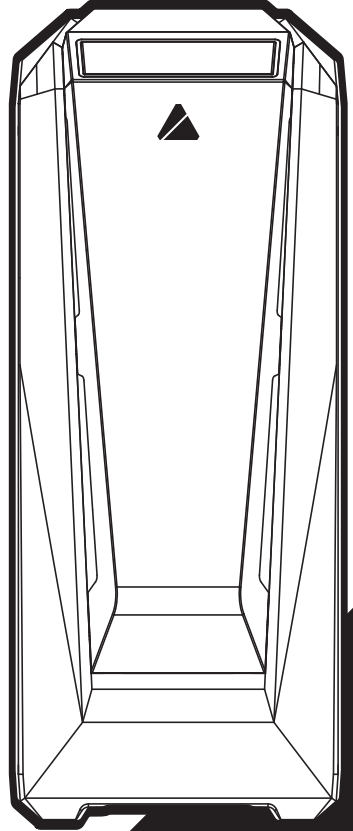
**AZZA**  
ONE VISION. ONE MISSION



410A



410B



## USER MANUAL



[www.azzatek.com](http://www.azzatek.com)

1. Specifications
2. Chassis Parts
3. Control Panel Functions
4. 3.5"/2.5" HDD Installation
5. Optional Liquid Cooling System
6. AZZA PRISMA Digital RGB Fan Installation  
For Motherboard
7. RF Remote

# Specifications

<b>Model</b>	
Model Name	Chroma 410
Model Number	CSAZ-410A
<b>Specifications</b>	
Type	ATX Mid Tower
Color	Black(exterior)/Black(interior)
Side Panel Window	Tempered Glass with rubber mounts
Max CPU Cooler Height	Up to 162mm
Max Video Card Length	Up to 400mm Long Video Card
Power Supply	Not included
Motherboard Compatibility	ATX, Micro ATX
<b>Expansion</b>	
External 5.25" Drive Bays	0
Internal 2.5" Drive Bays	Up to 6
Internal 3.5" Drive Bays	Up to 2
Expansion Slots	7(Horizontal)+2(Vertical)
Top Ports	2xUSB3.0, 2xUSB2.0, HD Audio
<b>Physical Specifications</b>	
Dimensions (HxWxD)	520x205x500mm / 20.5x8.1x19.7 inches
Weight	6.82 kg / 15.0 lbs
<b>Features</b>	
Digital RGB Light Effects	Digital RGB light on the front. All digital RGB light devices controlled by RF Remote (included) or motherboard.
Tempered Glass Side Window	High-quality tempered glass side windows allow for clear visuals to inner components
Available Fan Ports	2x120mm Fan ports on the top 3x120mm or 2x140mm Fan ports in the front (2x120mm Black Fans included) 1x120mm Fan port in the rear (1x120mm PRISMA-Digital RGB Fan included)
Dust Filters	Dustproof PVC Net x2 on bottom of Chassis
Water Cooling	Supports radiators up to 240mm on top / 360mm in front
Isolated Chamber	Power supply is housed inside its own isolated chamber, preventing its heat from affecting other components
Easy Installation Cooler	A pre-cut hole for easy installation of CPU Cooler, eliminating the need to remove the motherboard

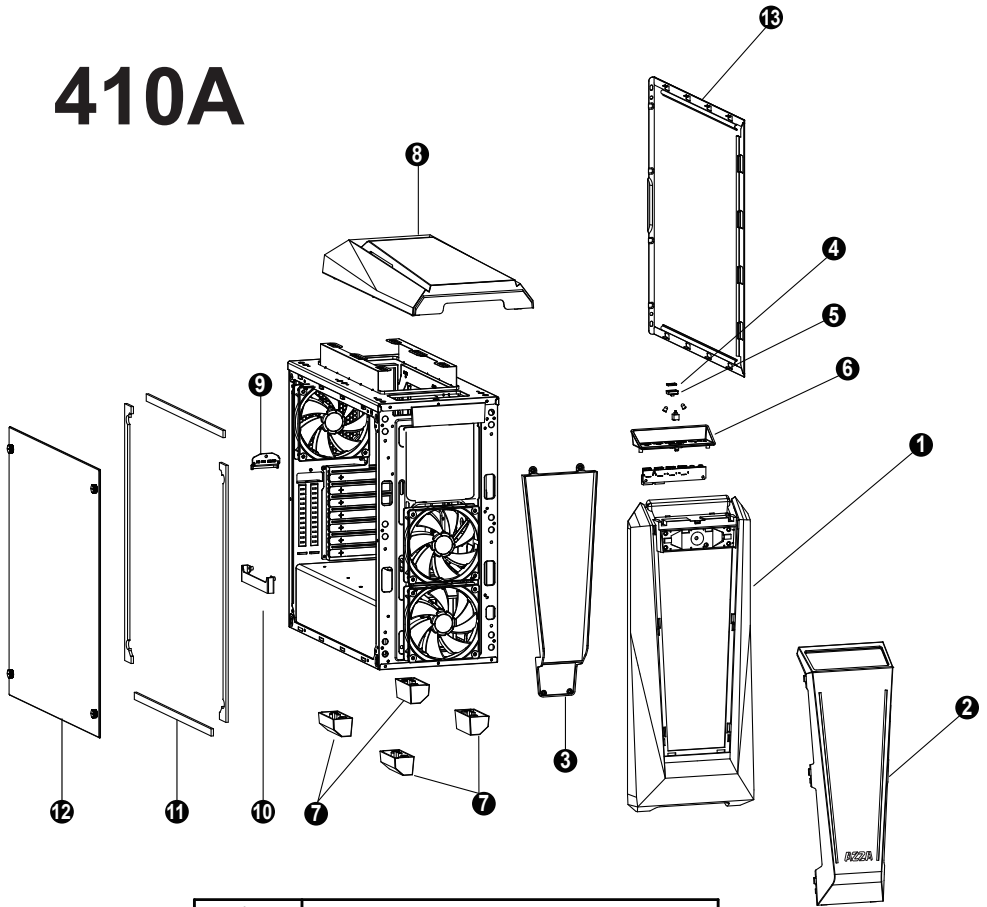
Digital RGB lighting: Also known as "addressable" RGB. Digital RGB lights offer the ability to assign colors to each LED diode individually, whereas analog RGB lighting only allows the LED strip to display one color along the whole strip at a time. The terms "digital" and "addressable" can be used interchangeably when referring to RGB lighting.

# Specifications

<b>Model</b>	
Model Name	Chroma 410
Model Number	CSAZ-410B
<b>Specifications</b>	
Type	ATX Mid Tower
Color	Black(exterior)/Black(interior)
Side Panel Window	Tempered Glass with rubber mounts
Max CPU Cooler Height	Up to 162mm
Max Video Card Length	Up to 400mm Long Video Card
Power Supply	Not included
Motherboard Compatibility	ATX, Micro ATX
<b>Expansion</b>	
External 5.25" Drive Bays	0
Internal 2.5" Drive Bays	Up to 6
Internal 3.5" Drive Bays	Up to 2
Expansion Slots	7(Horizontal)+2(Vertical)
Top Ports	2xUSB3.0, 2xUSB2.0, HD Audio
<b>Physical Specifications</b>	
Dimensions (HxWxD)	520x205x500mm / 20.5x8.1x19.7 inches
Weight	6.82 kg / 15.0 lbs
<b>Features</b>	
Front Panel	Acrylic Side Translucent modeling
Digital RGB Light Effects	Digital RGB light on the front. All digital RGB light devices controlled by RF Remote (included) or motherboard.
Tempered Glass Side Window	High-quality tempered glass side windows allow for clear visuals to inner components
Available Fan Ports	2x120mm Fan ports on the top 3x120mm or 2x140mm Fan ports in the front (2x120mm PRISMA-Digital RGB Fans included) 1x120mm Fan port in the rear (1x120mm Black Fan included)
Dust Filters	Dustproof PVC Net x2 on bottom of Chassis
Water Cooling	Supports radiators up to 240mm on top / 360mm in front
Isolated Chamber	Power supply is housed inside its own isolated chamber, preventing its heat from affecting other components
Easy Installation Cooler	A pre-cut hole for easy installation of CPU Cooler, eliminating the need to remove the motherboard

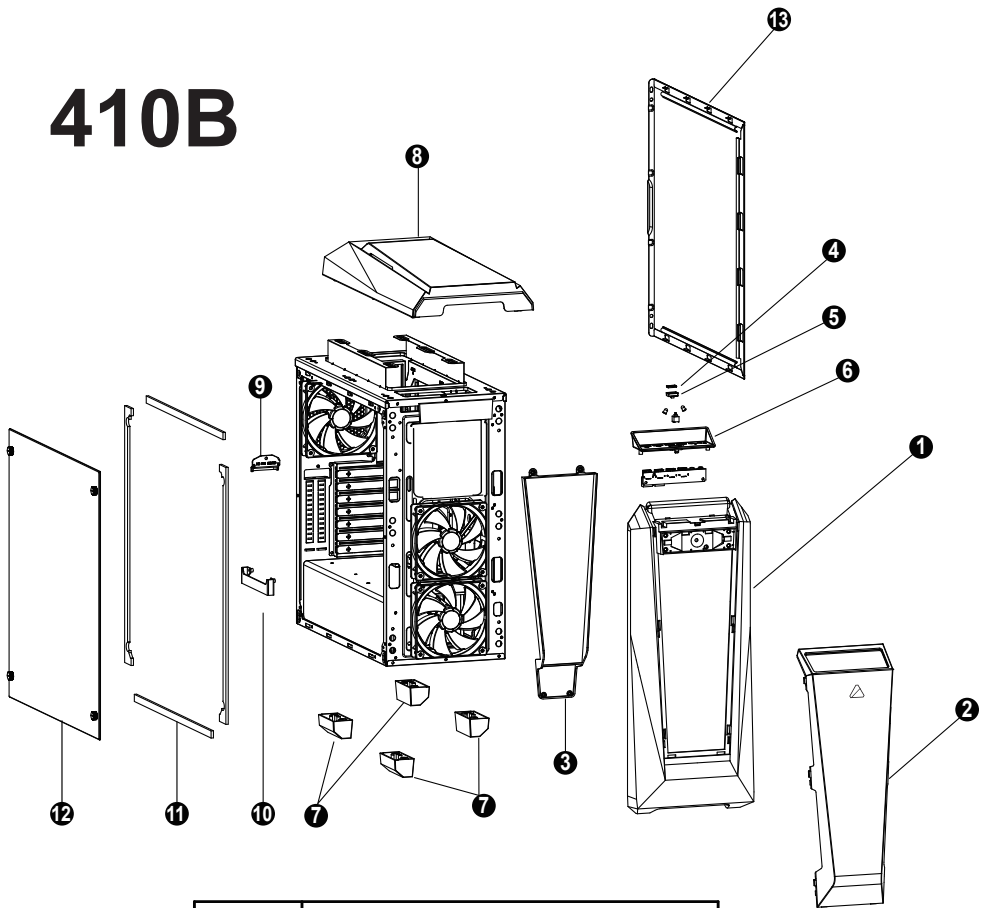
Digital RGB lighting: Also known as "addressable" RGB. Digital RGB lights offer the ability to assign colors to each LED diode individually, whereas analog RGB lighting only allows the LED strip to display one color along the whole strip at a time. The terms "digital" and "addressable" can be used interchangeably when referring to RGB lighting.

# 410A



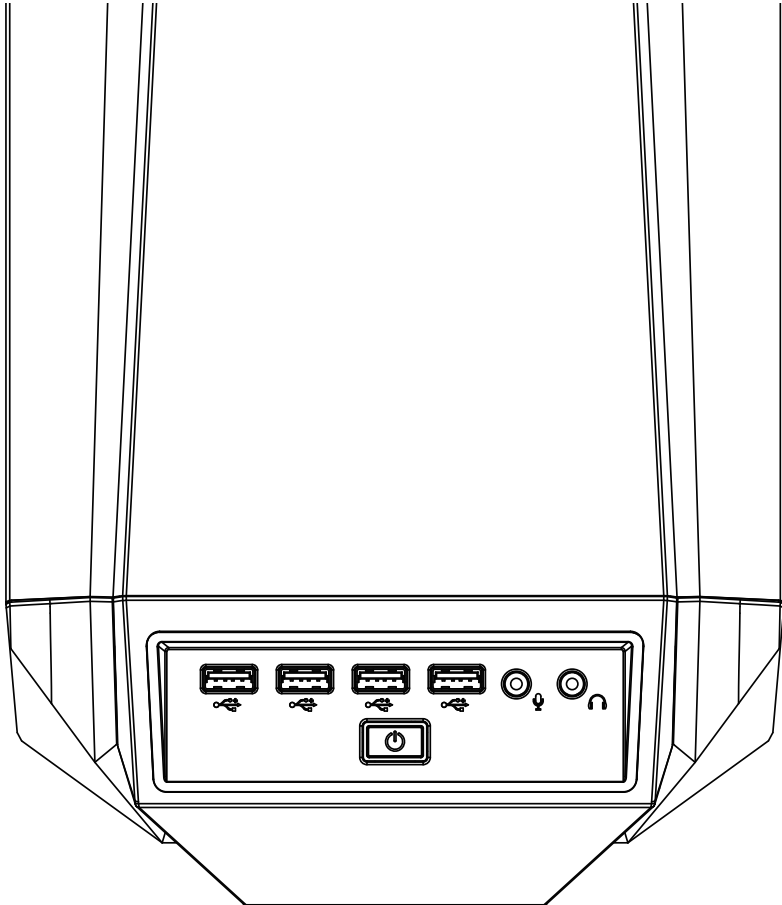
1	Front panel
2	Panel transparent plate
3	Panel reflector
4	Power button
5	Transparent power button holder
6	USB fixed plate
7	Case feet x4
8	Top panel
9	PCIe cover plate
10	PCIe cradle
11	Side plate EVA crash pad x4
12	Left glass
13	Right side panel






# 410B



1	Front panel
2	Panel transparent plate
3	Panel reflector
4	Power button
5	Transparent power button holder
6	USB fixed plate
7	Case feet x4
8	Top panel
9	PCIe cover plate
10	PCIe cradle
11	Side plate EVA crash pad x4
12	Left glass
13	Right side panel

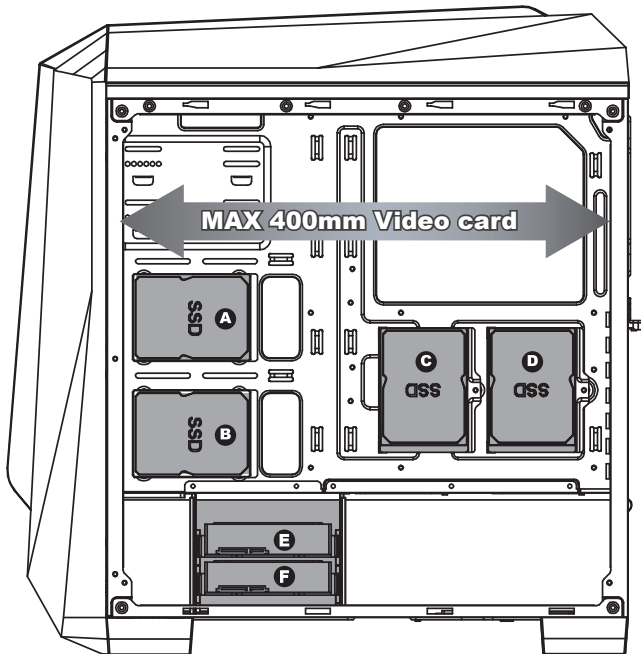
# Control Panel Functions



	Power
	USB3.0 (Blue)
	USB2.0 (Black)
	Mic
	Audio



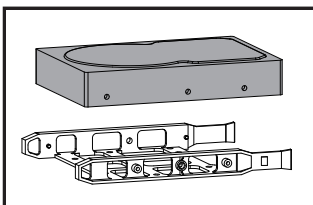
# 3.5" / 2.5" HDD Installation



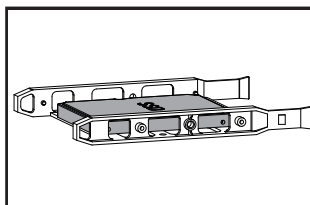
or



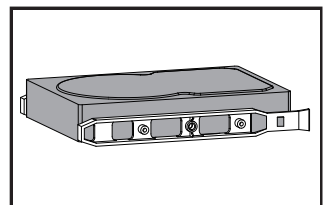
- Supports up to 400mm long Video cards.
- Two mounting holes support 2.5" devices. (A B)
- Two brackets support 2.5" devices. (C D)
- Two multifunctional trays support 3.5" HDD or 2.5" SSD. (E F)



Multifunctional bracket.



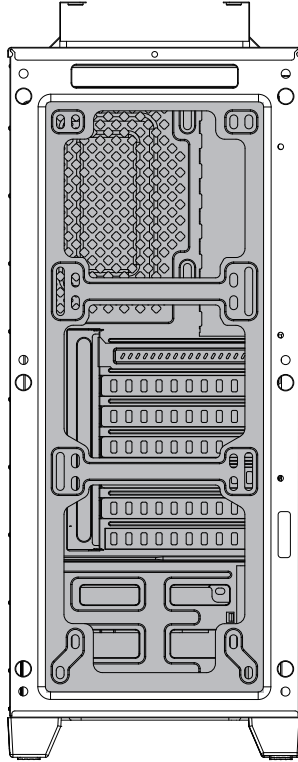
Secure 2.5" SSD / HDD with screws.



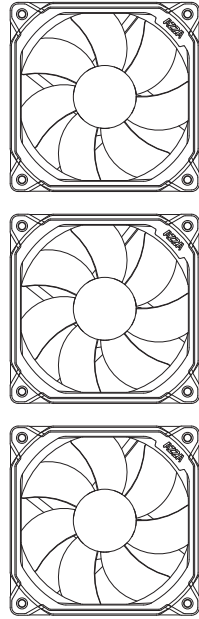
Secure 3.5" HDD with screws.

# Optional Liquid Cooling System

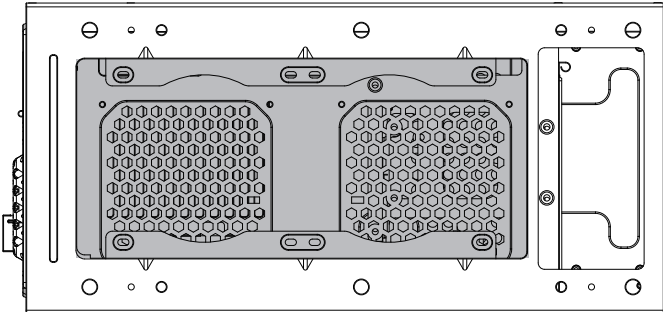
**Front**



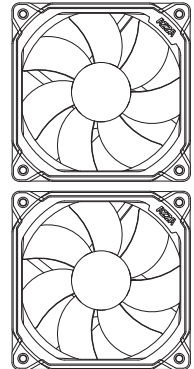
**120mm x3**




**Top**




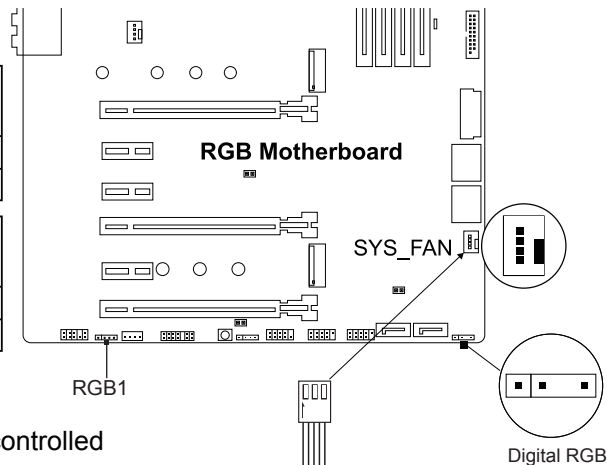
**120mm x2**



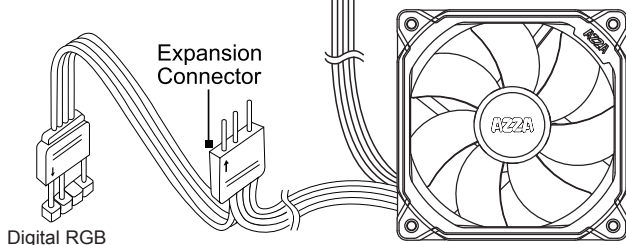
# AZZA PRISMA Digital RGB Fan Installation For Motherboard

 RGB1 RGB2			
1	+12V	2	G
3	R	4	B

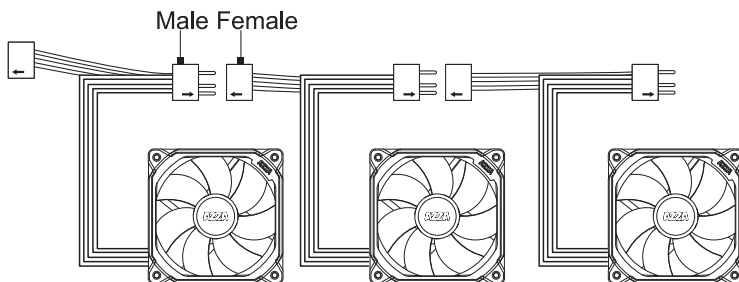
 Digital RGB			
1	+5V	2	Data
3	No Pin	4	Ground



All lighting modes are controlled by motherboard software.



## Parallel Connection ("daisy-chaining")



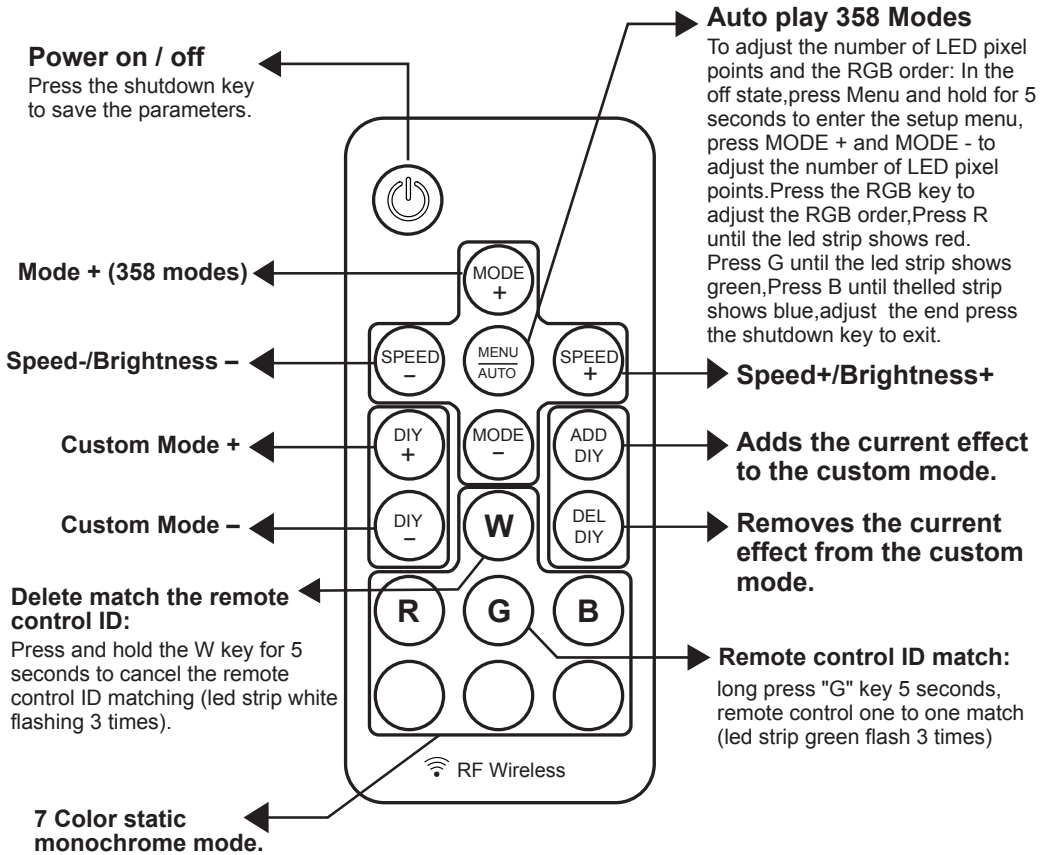
### CAUTION

If you do not have a motherboard that is compatible with digital RGB, then you can opt to use the included RF remote and receiver.

The addressable RGB fan has a 3-pin connector (4 holes). Please ensure that you are connecting the 3-pin connector on the fan to the 3-pin RGB header on the motherboard or RF Remote connector.

Do not plug it into the 4-pin header, as the incompatible voltage will fry the fan. The 3-pin connector on the fan still has 4 holes, but the 4th hole is intentionally blocked, for this reason, so please do not try to force it!

Our digital RGB devices are WS2812B-compliant. Each fan contains 18 digital/addressable LED diodes. The WS2812B standard supports up to 60 diodes at the maximum for a single header, so please do not daisy-chain more than 3 digital RGB fans together.



The first Digital RGB fan is to be connected to the Digital RGB LED RF remote in the chassis, while the rest of them can be daisy chained to the first one with their own male and female plugs.

