

GUARDIAN GLASS/ GUARDIAN WOOD

# USER MANUAL

1. Specifications

2. Chassis Parts

3. Control Panel Functions

4. 3.5"/2.5" HDD/SSD Installation

5. Remove the Front panel

6. Remove the left glass side panel

7. Cooling System Installation

8. Fan Installation

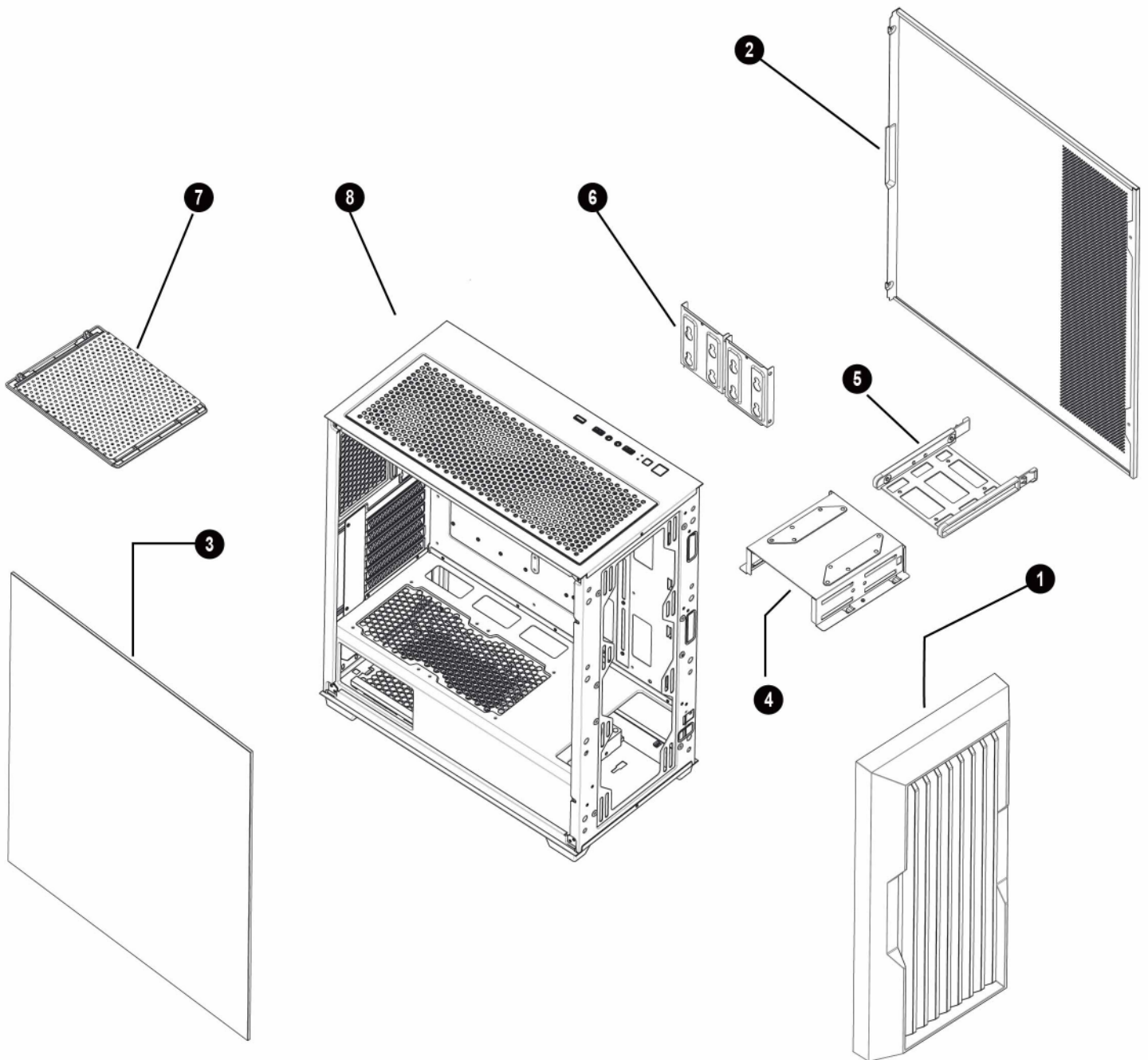
10. RGB Lighting Switching

11. ARGB Control Board

# Specifications

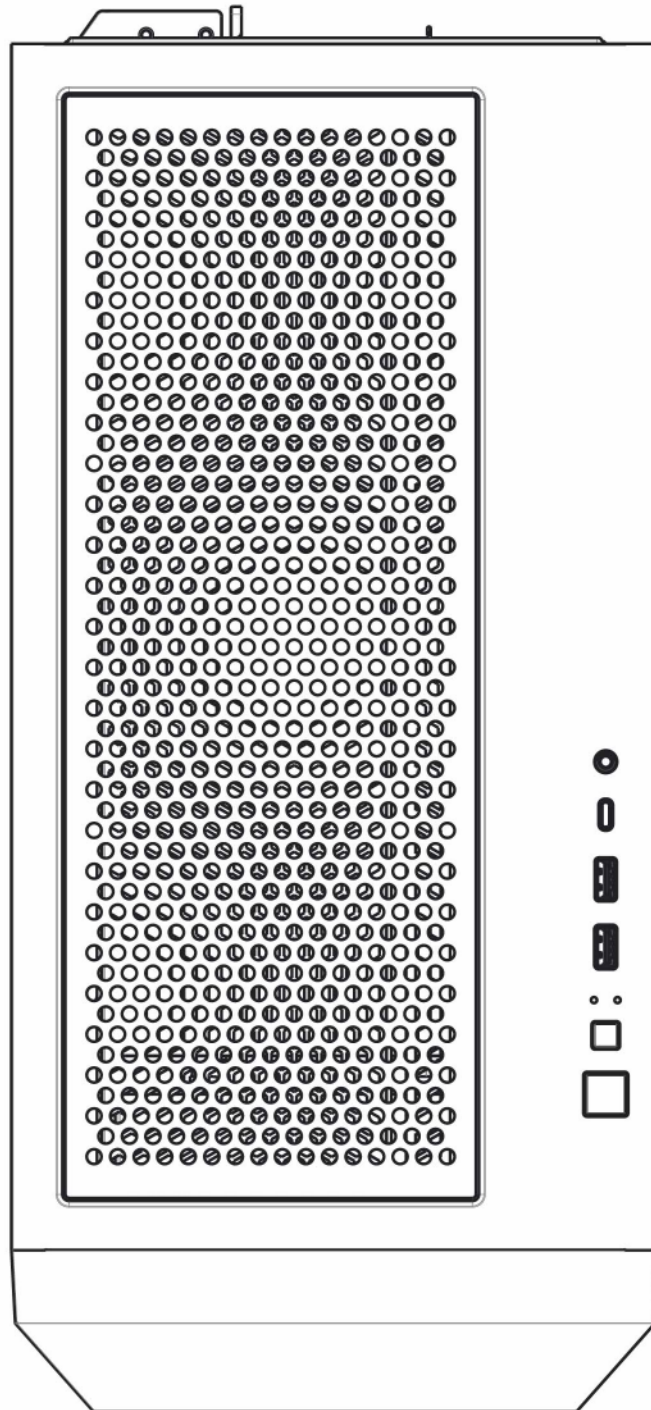
Model	
Model Name:	Guardian Glass/ Guardian Wood
Model Number:	CSAZ-520BG/ CSAZ-520BW ; CSAZ-520WG/ CSAZ-520WW
Specifications	
Type:	ATX Mid Tower
Color:	White/White(interior)/Black/Black(interior)
Side Panel Window:	Left side panel: Slidable tempered glass panel
Max CPU Cooler Height:	UP to 170 mm
Max Video Card Length:	Up to 400 mm long video card
Power Supply:	Not included
Motherboard Compatibility:	E-ATX<300 · ATX · Micro ATX · ITX
Expansion	
External 5.25" Drive Bays:	0
Internal 2.5" Drive Bays:	Up to 4
Internal 3.5" Drive Bays:	Up to 2
Expansion Slots:	7
Top Ports:	Power button,LED button, HD Audio, USB 3.0 x 2,Type C
Physical Specifications	
Physical Dimension(HxWxD)	486x220x466mm/19.1x8.7x18.3 inches
Weight:	Guardian Glass:8.1Kg /17.9lbs / Guardian Wood:7.4Kg /16.3lbs
Features	
Addressable RGB Light Effects:	All addressable RGB devices can sync with the motherboard, allowing the motherboard software to control lighting directly.
Available Fan Ports:	3x120mm or 3x140mm fan ports in the front 3x120mm or 2x140mm fan ports on the top 2x120mm fan ports on the mb side 1x120mm fan port in the rear (1x120mm LFO-2512D ARGB Fan included)
Water Cooling:	Supports radiators up to 280/360mm in the Front Supports radiators up to 280/360mm in the Top
Dust Filters:	Removable (magnetic) dustproof net on the top, dust filter on bottom of chassis.
Power Supply Support:	Bottom mounted ATX Power Supply


# Chassis Parts






1	Front panel
2	Metal side panel
3	Tempered glass panel
4	Hard disk cage
5	3.5" HDD/ 2.5" SSD brackets
6	2.5" SSD tray x 2
7	Dust filter mesh
8	Chassis

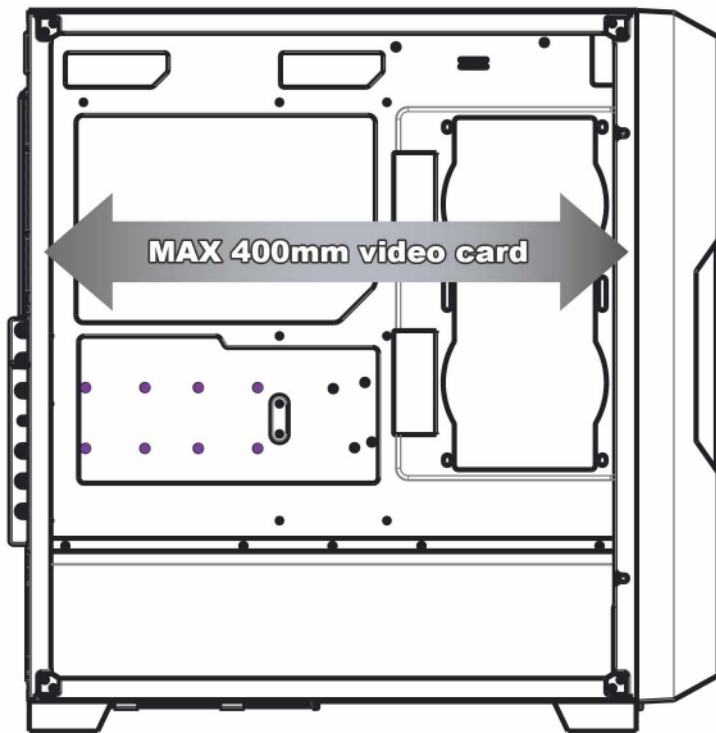
# Control Panel Functions



	POWER
	LED
	HD Audio

	USB 3.0
	USB 3.0
	Type-C

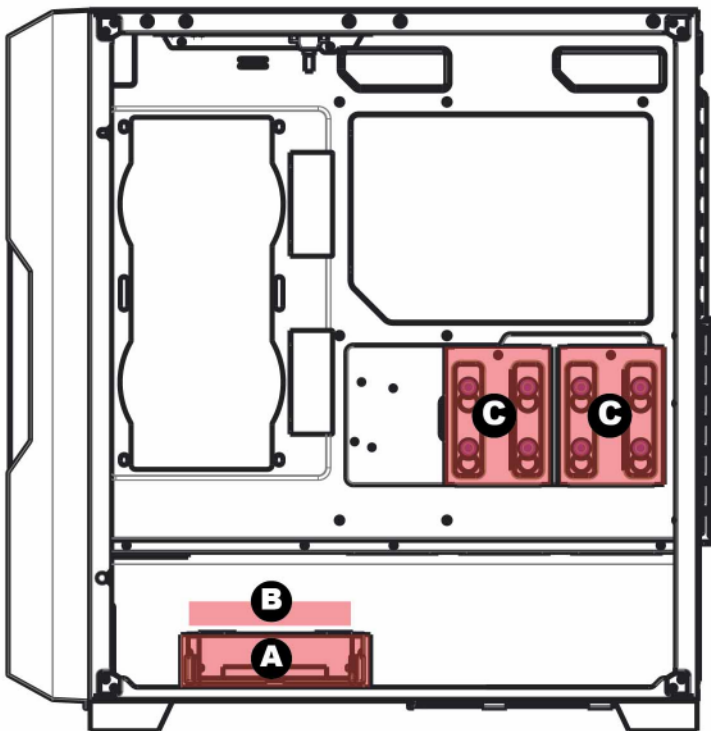
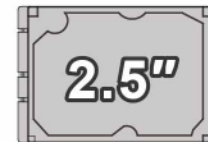
## 3.5" / 2.5" HDD/SSD Installation



- Supports up to 400mm long video cards.



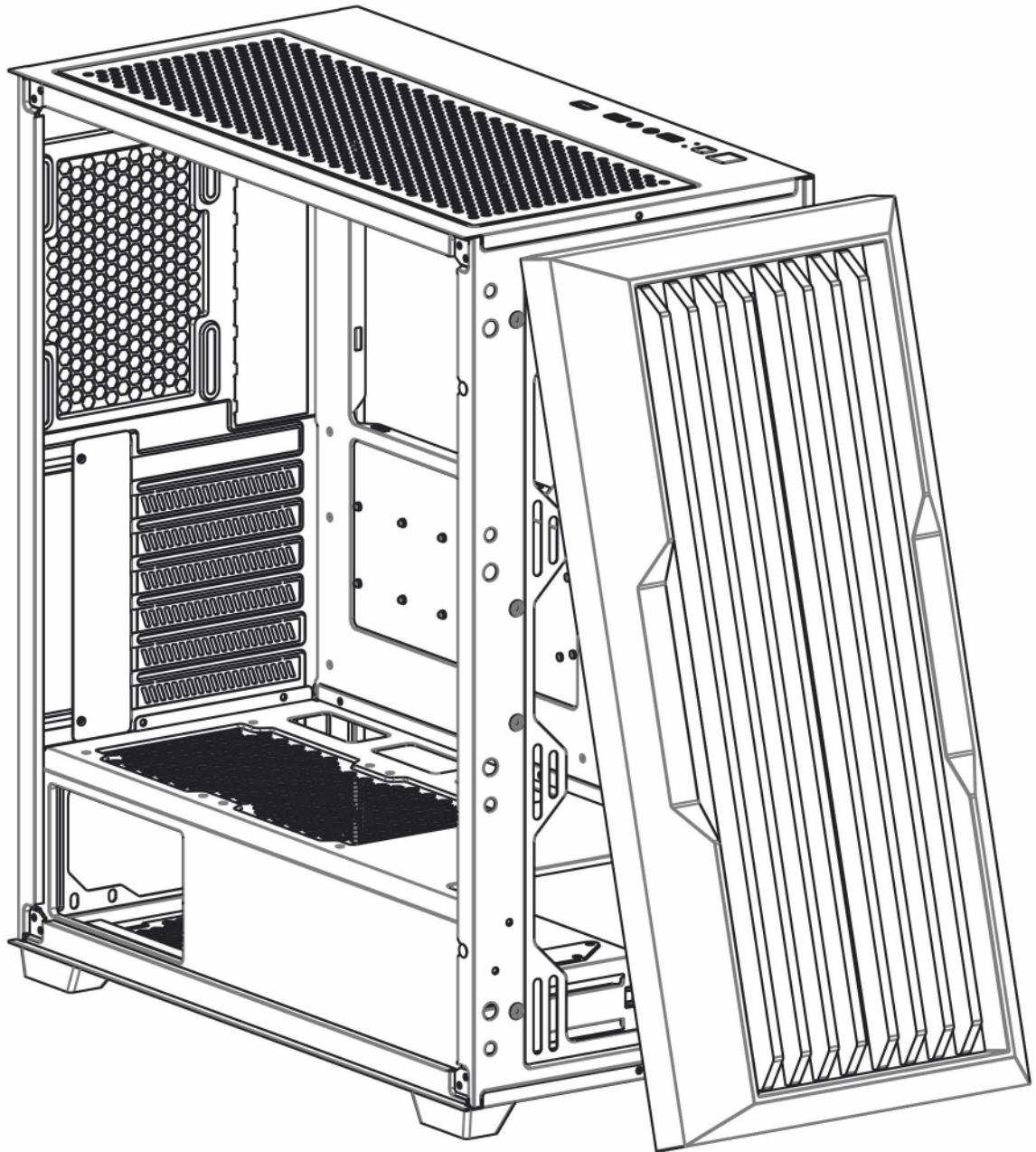
or



- Multifunctional hard disk bracket supports 3.5" HDD or 2.5" SSD x 1 ( **A** )
- 2.5" SSD metal tray supports 2.5" SSD x 2 ( **C** )
- Multifunctional hard disk cage supports 3.5" HDD or 2.5" SSD x 1 ( **B** )

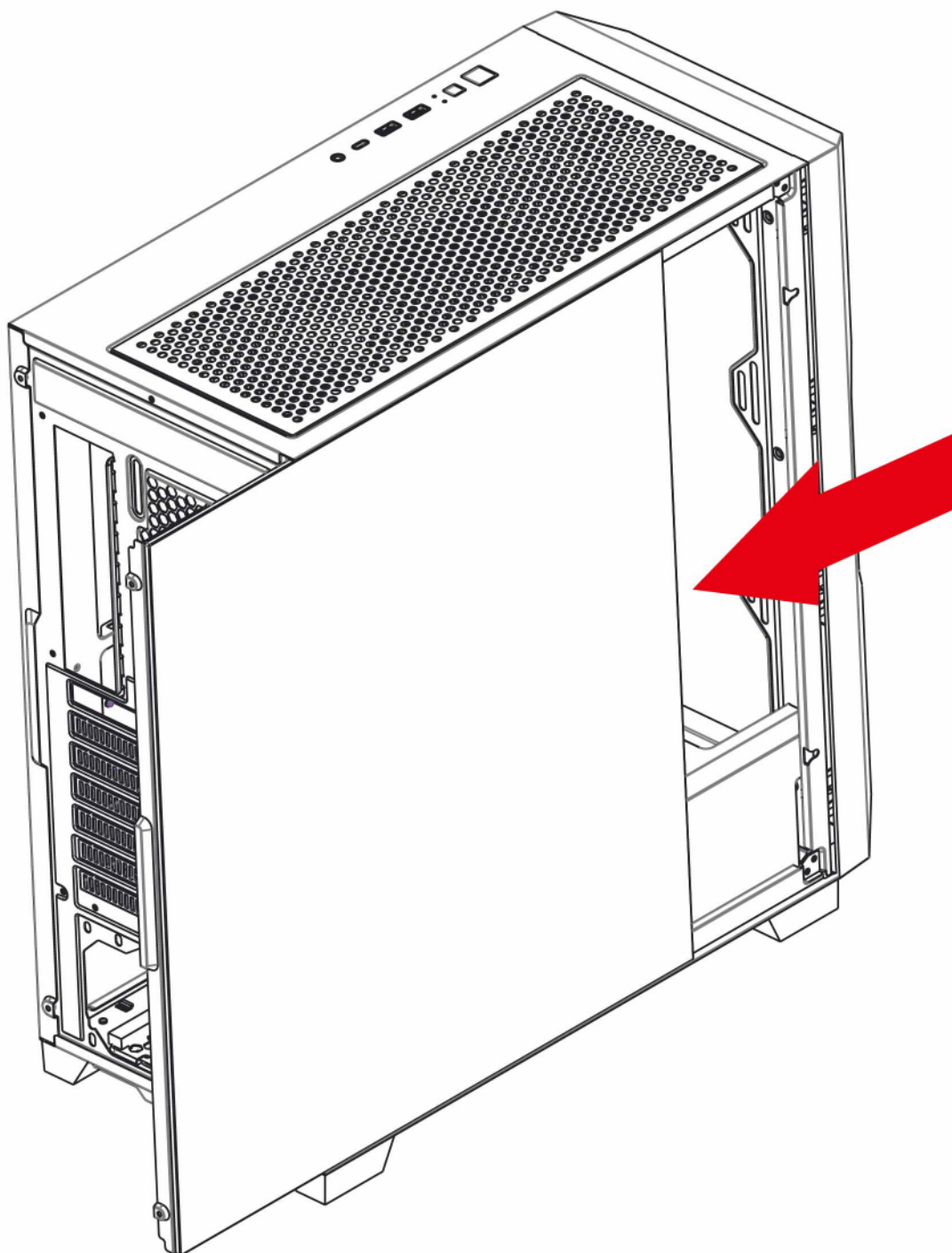
# Remove the Front panel

---



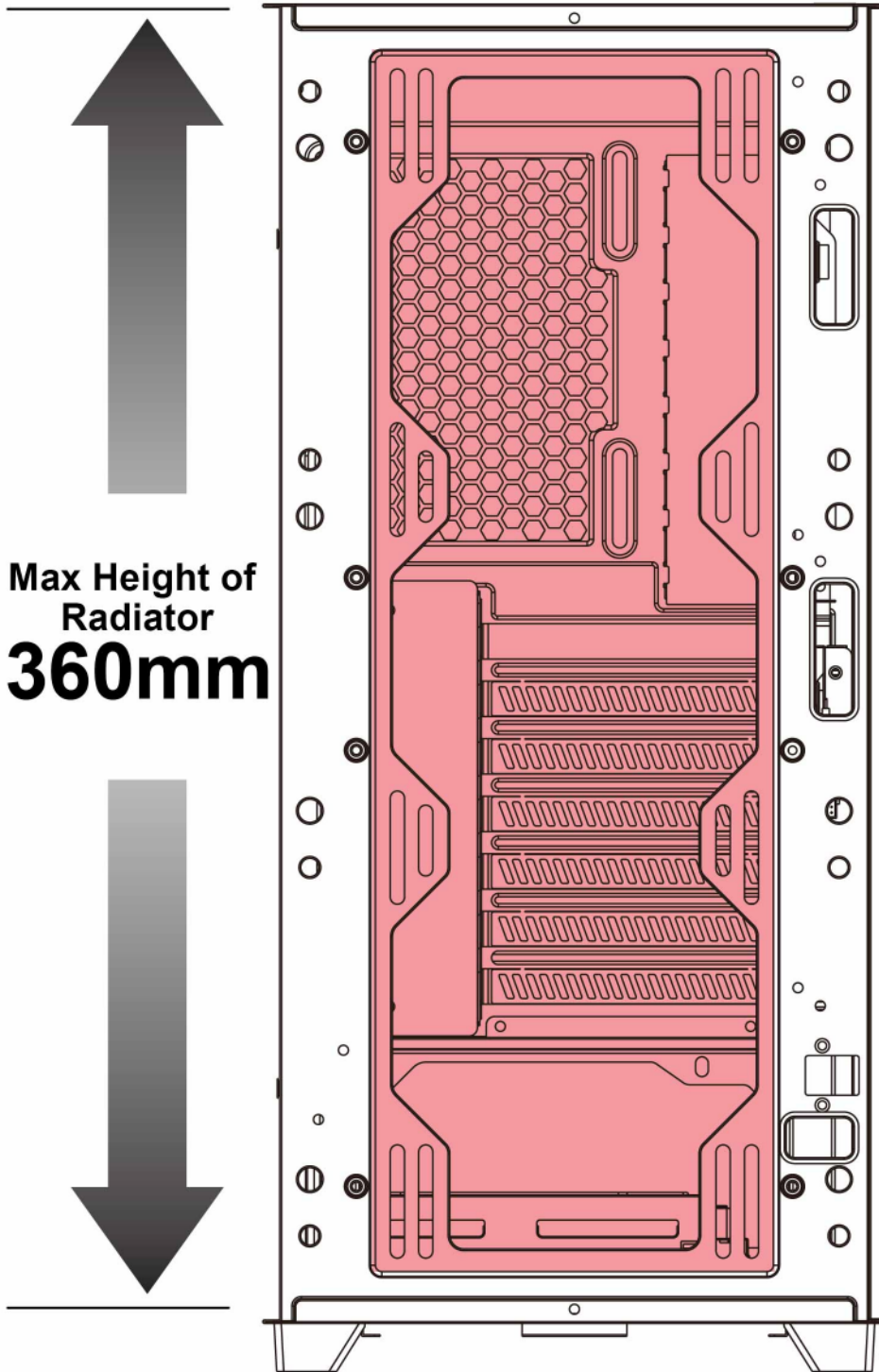
Remove the left glass side panel

---

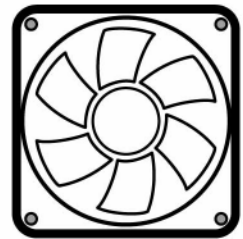




# Front

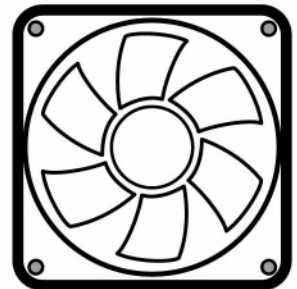


Max Height of  
Radiator  
**360mm**



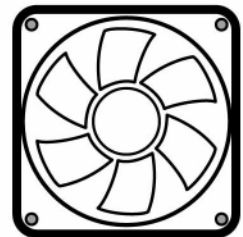
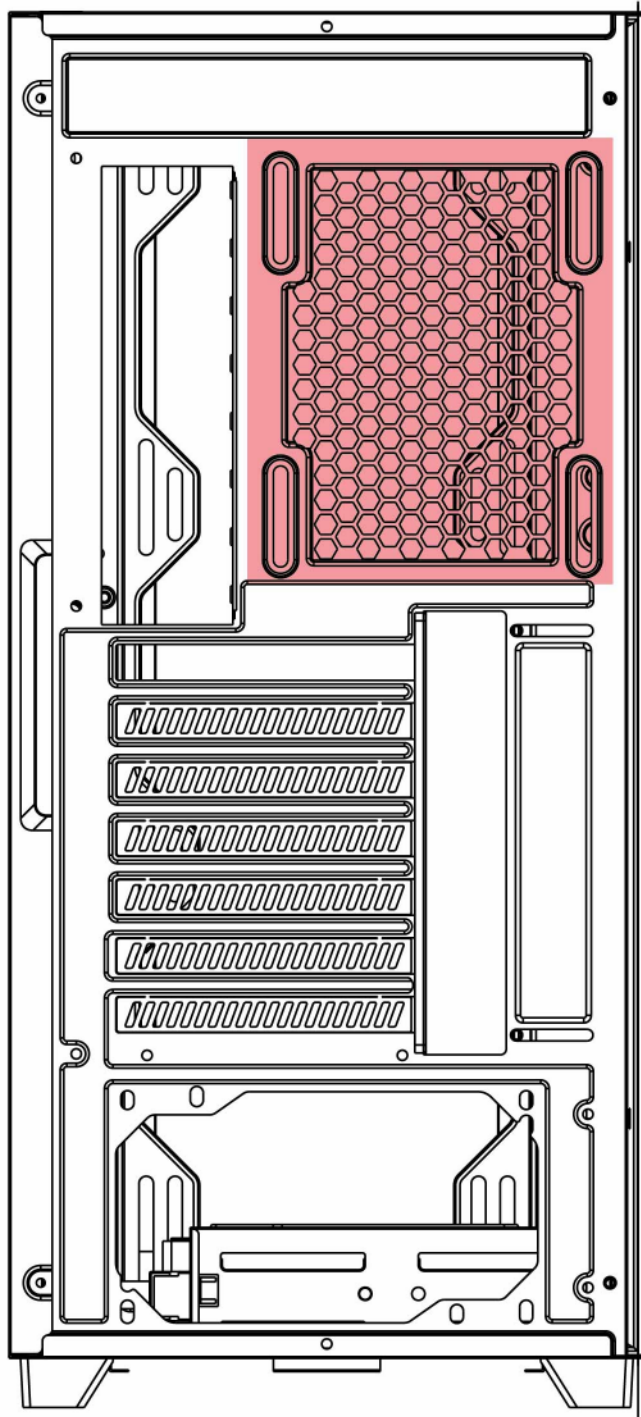
**120mm x3**

or



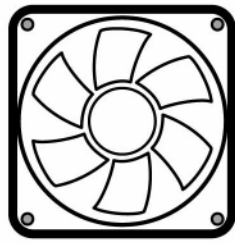
**140mm x3**

# Rear



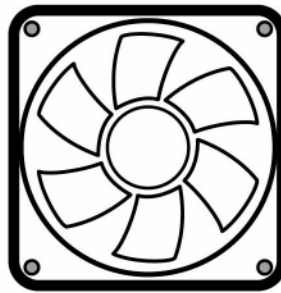
120mm x1

# Top

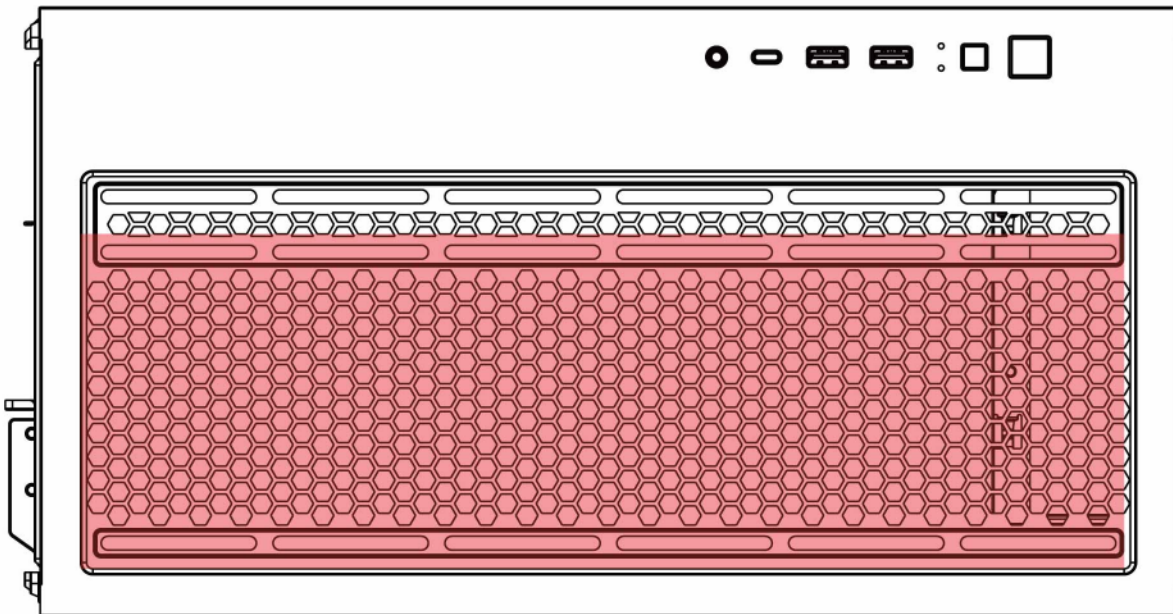


120mm x3

or

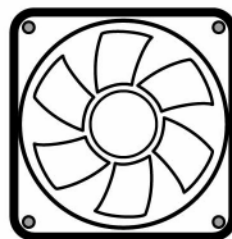


140mm x2

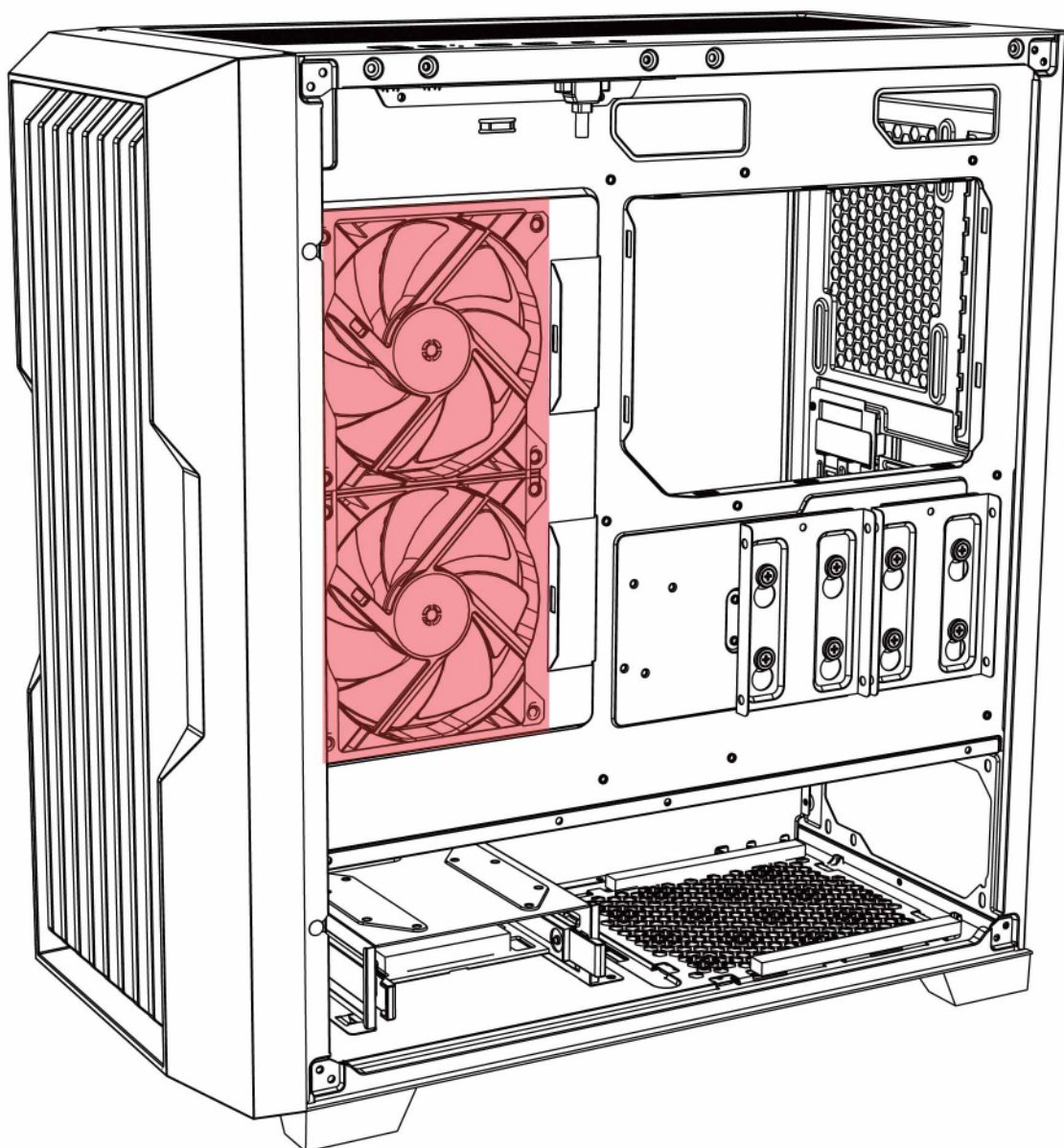


## Cooling System Installation

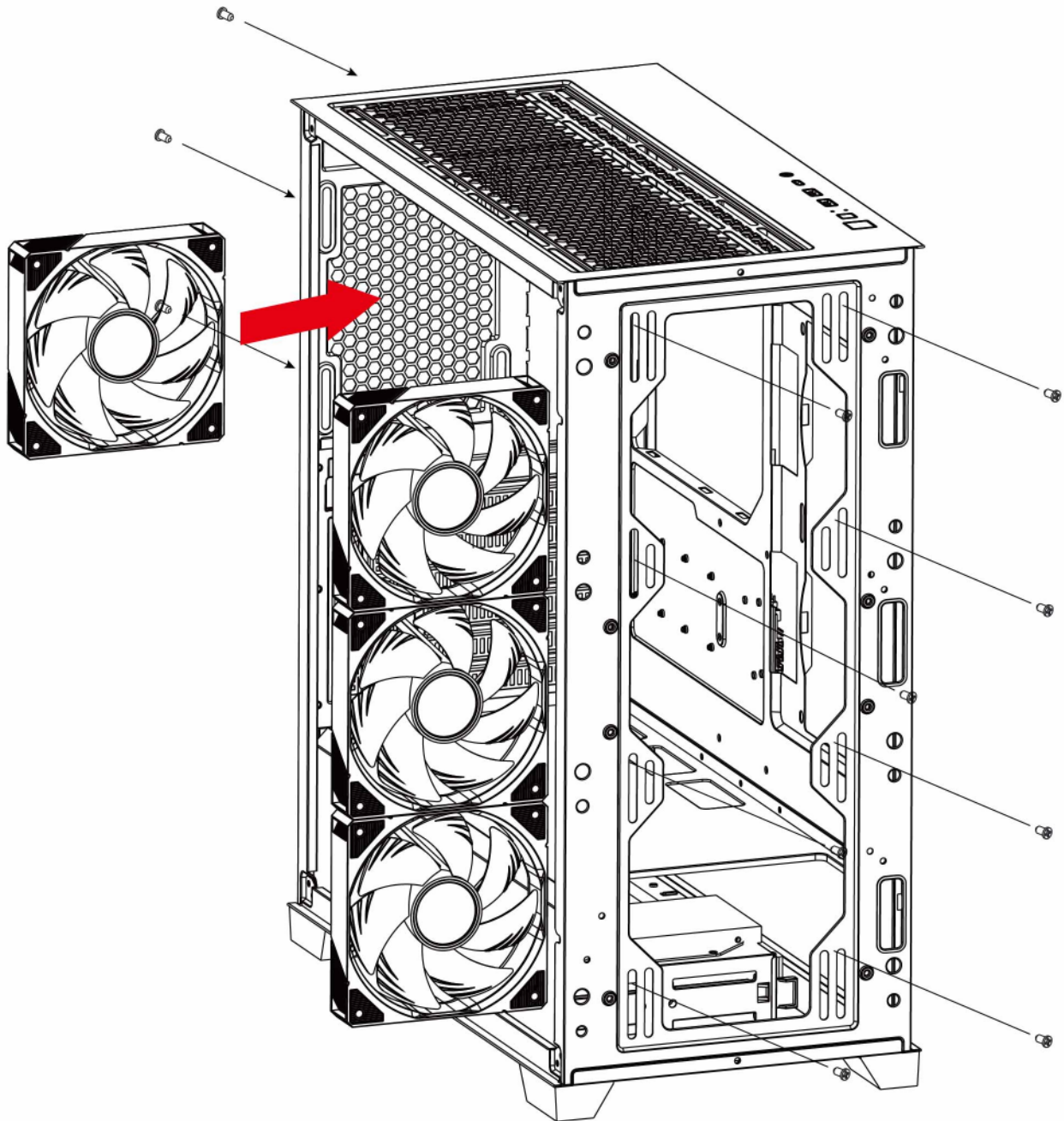
- 2x120mm fan ports on the mb side



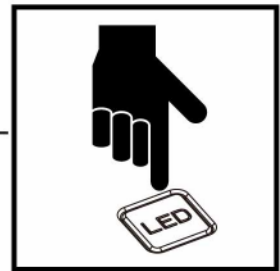
120mm x2



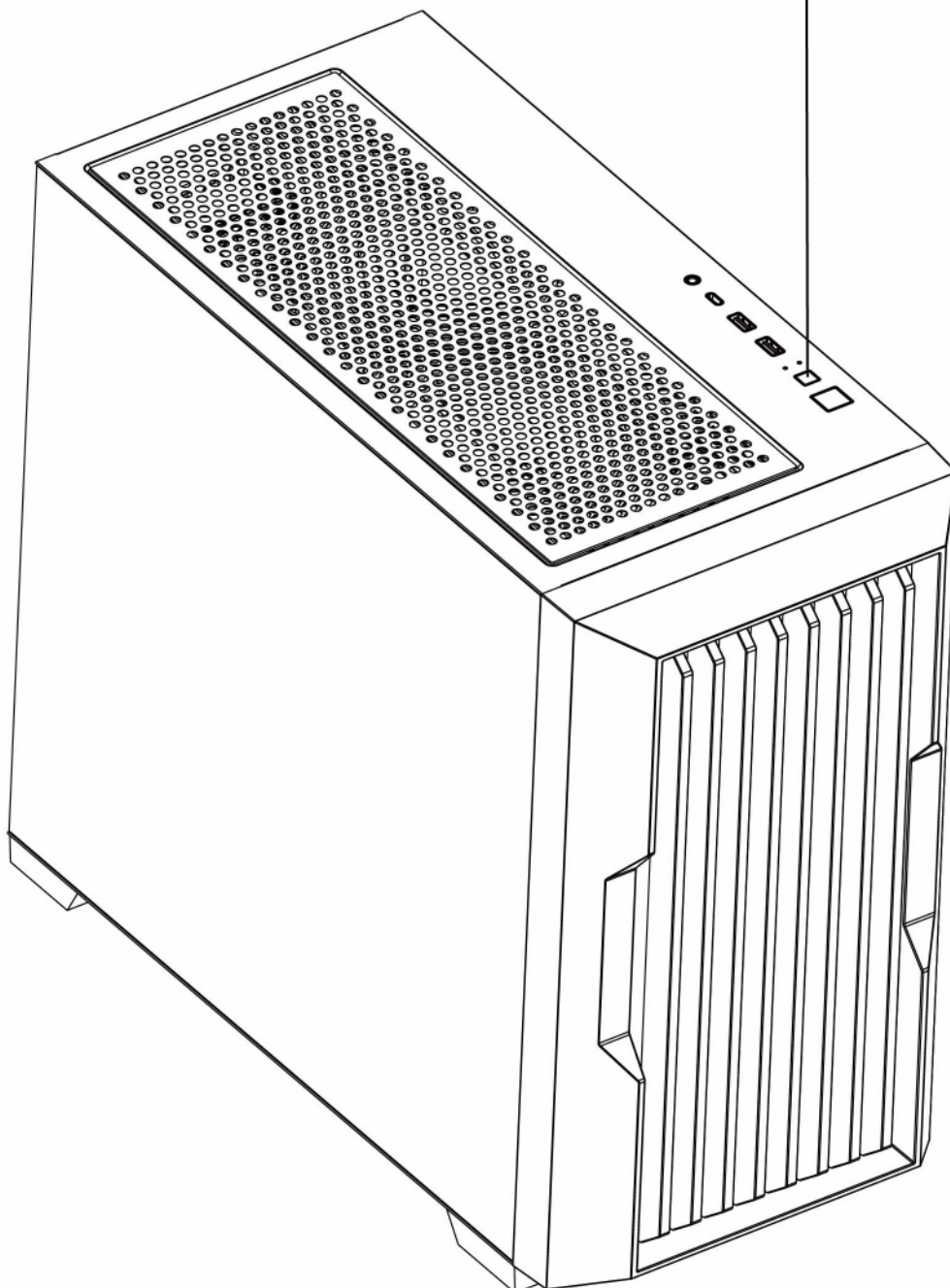
# Fan Installation



# RGB Lighting Switching

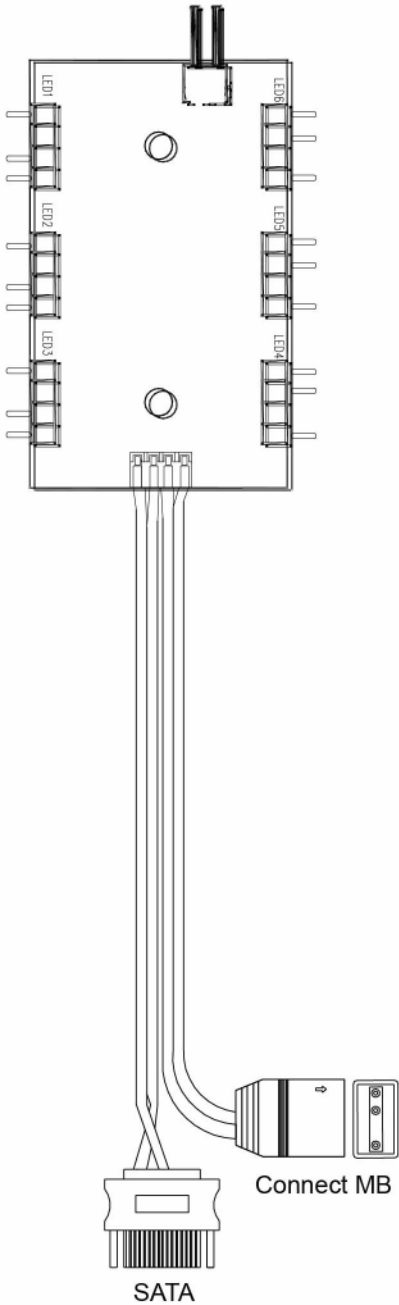


- Press the LED button to cycle through different RGB lighting modes.

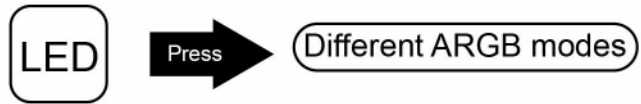


# ARGB Control Board

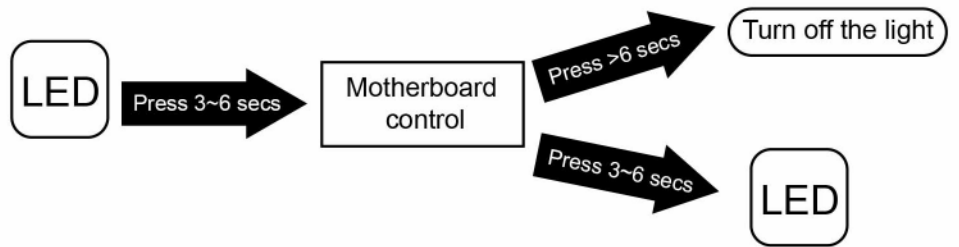
connect LED bottom



※ Press LED button to select different ARGB 13 modes



※ If the ARGB control board connected to the mainboard ARGB pin header.



If the ARGB control board connected to the mainboard ARGB pin header, Press the LED button for 3-6 seconds meanwhile the white light flash twice to switch the control function to the motherboard sync. Software; Press the LED button for >6 seconds meanwhile the white light flashes four times to turn off the LED lights. When the LED lights are off, press the LED button for 1 seconds to turn on the LED lights.