



Iceberg / Iceberg Dark

240 / 360 AIO Watercooling

Product Manual

Table of Contents

Scope of Delivery

01-02

Installation

Pump-Intel / Pump-AMD / Fan and Radiator / Connector

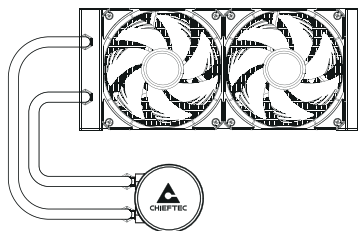
03-10

Specification

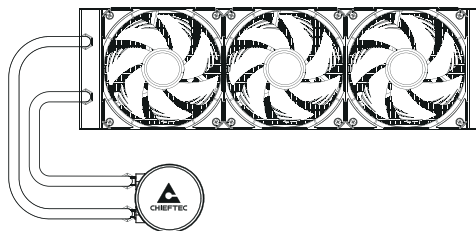
Fan / Radiator / Pump

11-13

Iceberg 240 / Iceberg 240 Dark



Iceberg 360 / Iceberg 360 Dark



A



Fan Screw

Lüfterschrauben

śruby wentylatora

винты вентилятора

x8 / x12

B

Radiator Screw



Kühlerschraube

Śruba chłodnicy

Винт радиатора

CLC-240 x8
CLC-360 x12

C

Thumbscrew



Flügelschraube

Śruba skrzydełkowa

винт с накатанной головкой

x4

D

Bracket Screw



Halierungsschraube

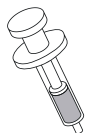
Śruba wspornika

Кронштейн Винт

x4

E

Thermal Paste



Wärmeleitpaste

Pasta termoprzewodząca

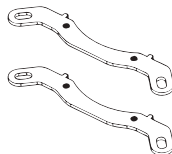
Термопаста

x1

Intel and the Intel logo are trademarks of Intel Corporation or its subsidiaries. AMD and the AMD logo are trademarks of Advanced Micro Devices, Inc.

For
Intel® only
LGA 1700 / 1200 / 115X /
1366 / 20XX

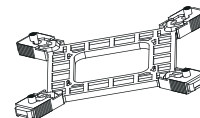
H



Mounting Bracket

Montagehalterung
Uchwyt montażowy
Монтажный кронштейн

I



Backplate

Rückplatte
Tylna rejestracja
Задняя панель

J



x4

LGA 1700
Mounting standoff

Montageabstandshalter
Odskok montażowy
Монтажная стойка

K



x4

LGA 1200 / 115X / 1366
Mounting standoff

Montageabstandshalter
Odskok montażowy
Монтажная стойка

L

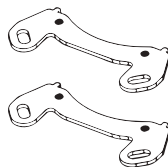


x4

Silicone Pad

Silikonpad
Podkładka silikonowa
Силиконовая накладка

M



Mounting Bracket

Montagehalterung
Uchwyt montażowy
Монтажный кронштейн

N

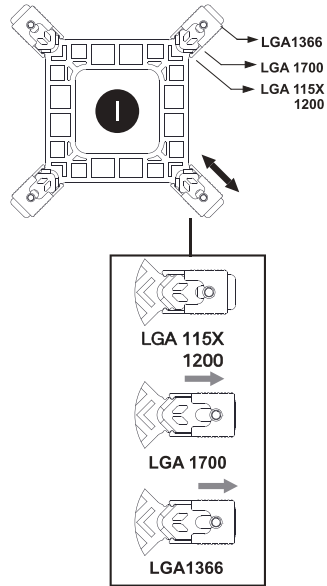
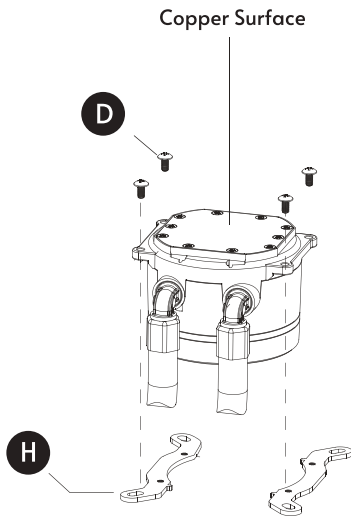


x4

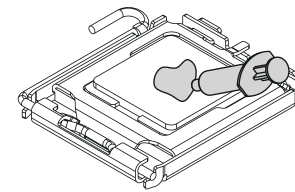
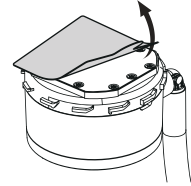
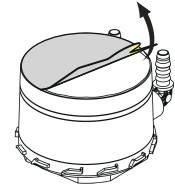
AMD
Mounting standoff

Montageabstandshalter
Odskok montażowy
Монтажная стойка

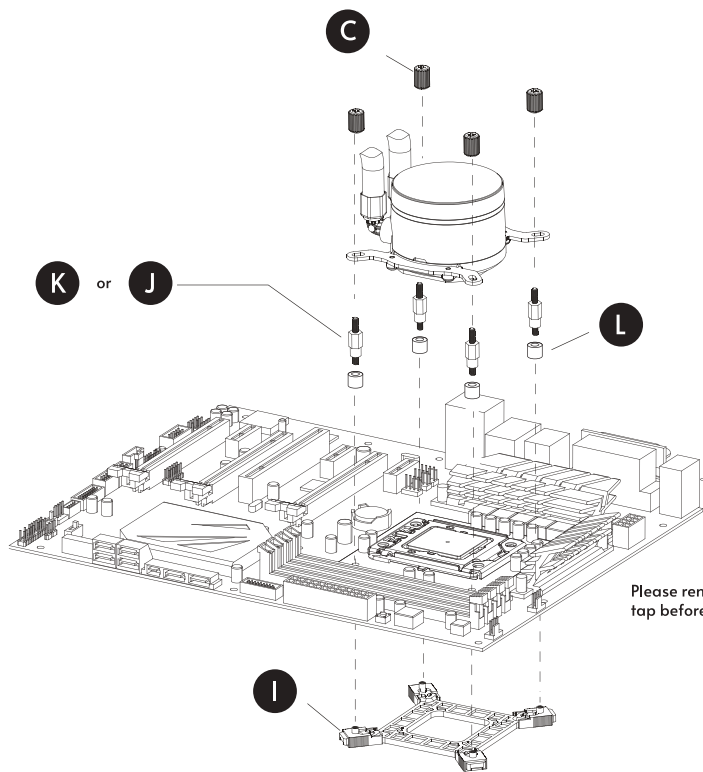
For
AMD® only
AM5 / AM4 / AM3 (+) /
AM2 (+) / FMI / FM2



Please remove the protector before assembling.

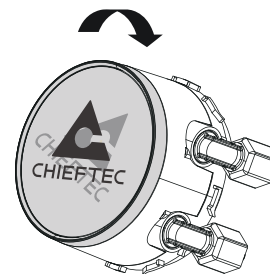
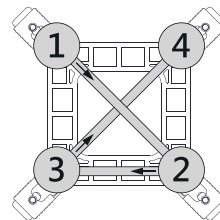
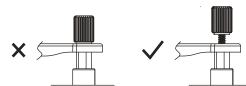


 The thermal paste is corrosive

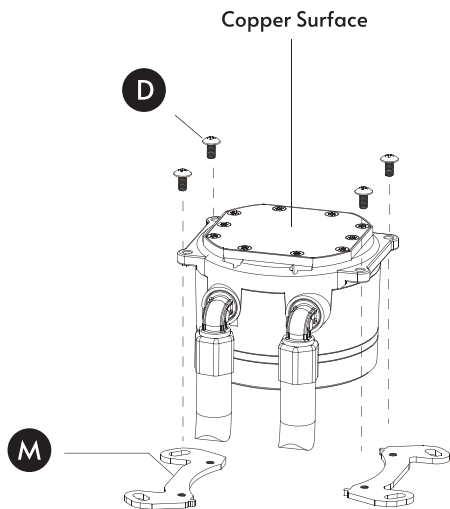


Please remove the CPU protect tap before installing

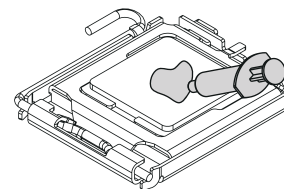
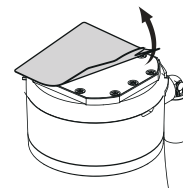
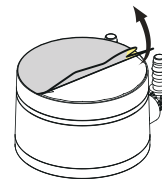
Please tighten the screws in sequence, do not turn them all the way at once.



Rotatable Panel Design

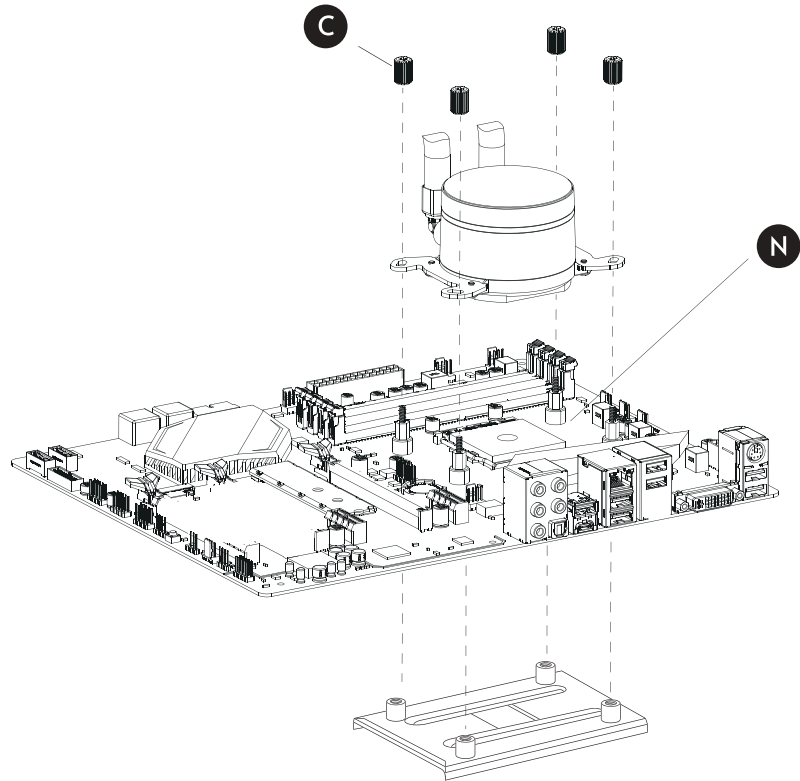
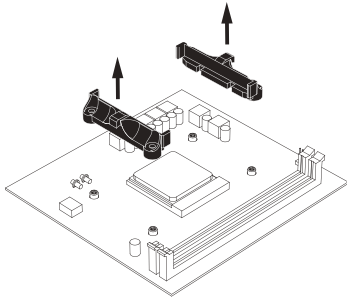


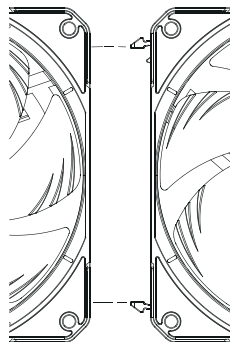
Please remove the protector before assembling.



 The thermal paste is corrosive

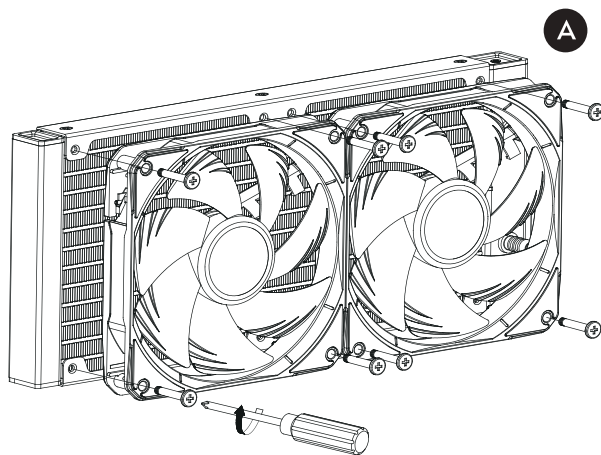
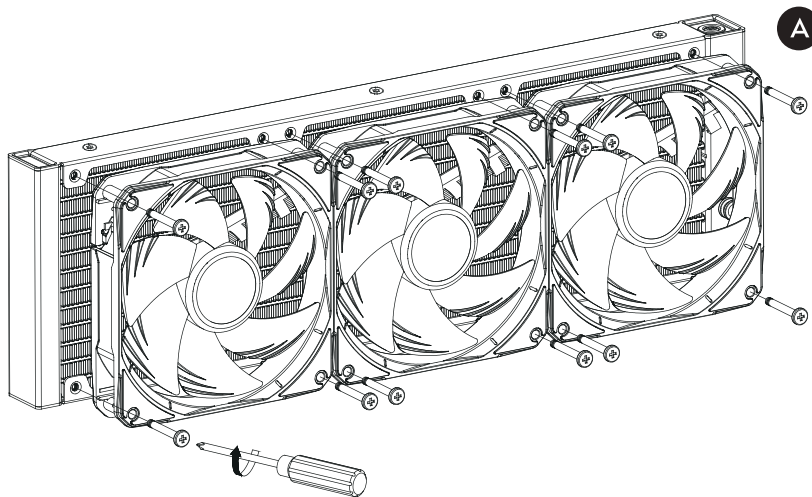
Please remove the original bracket of AMD first



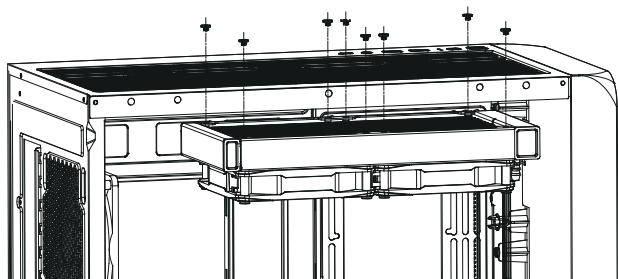


Click-In Connect Fans design

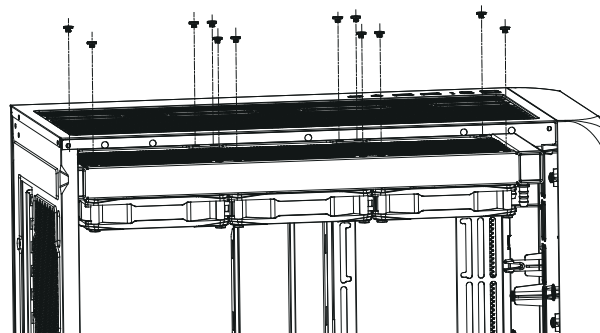
Align buckle and the metal surface



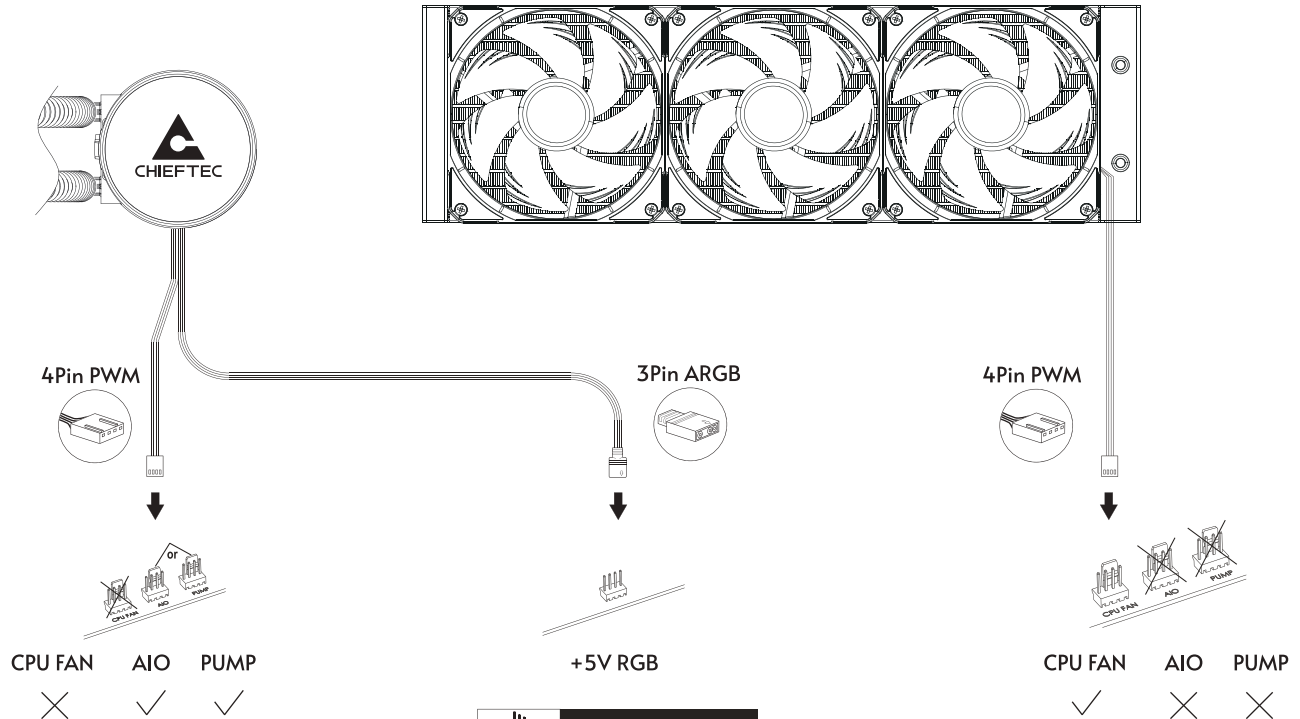
B



B

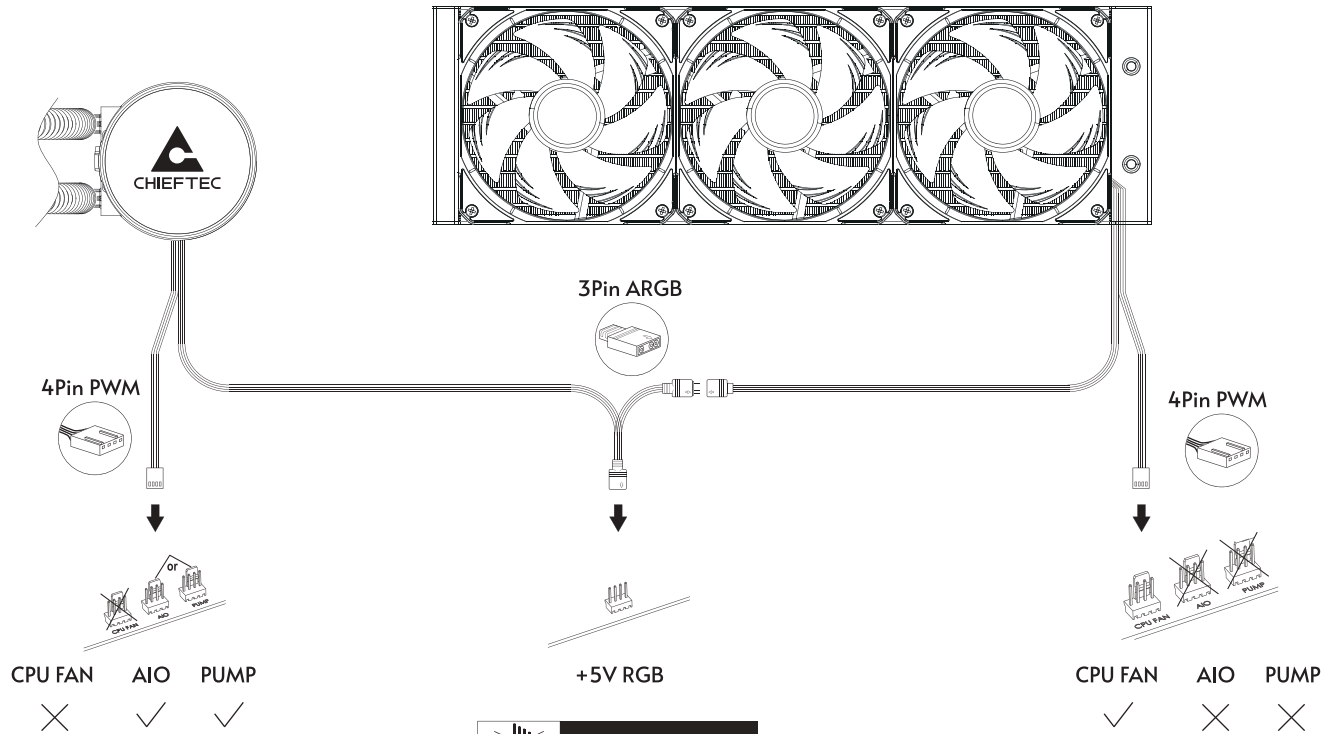



Iceberg Dark 240 / Iceberg Dark 360



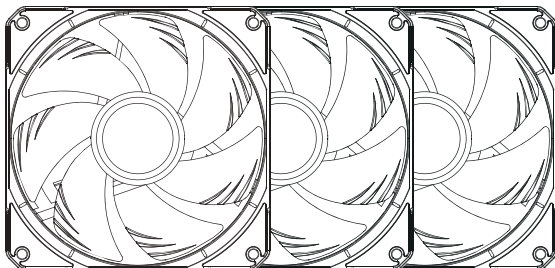
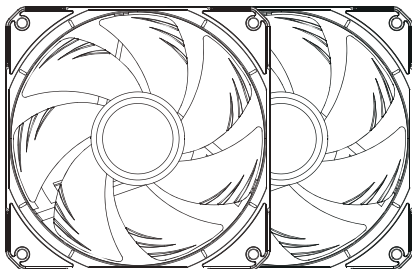
5V Addressable RGB Header :
for Compatible ASUS, MSI , ASRock
or Gigabyte Motherboards

Iceberg 240 / Iceberg 360



 Notice : Please do not connect on the 4pin 12V header

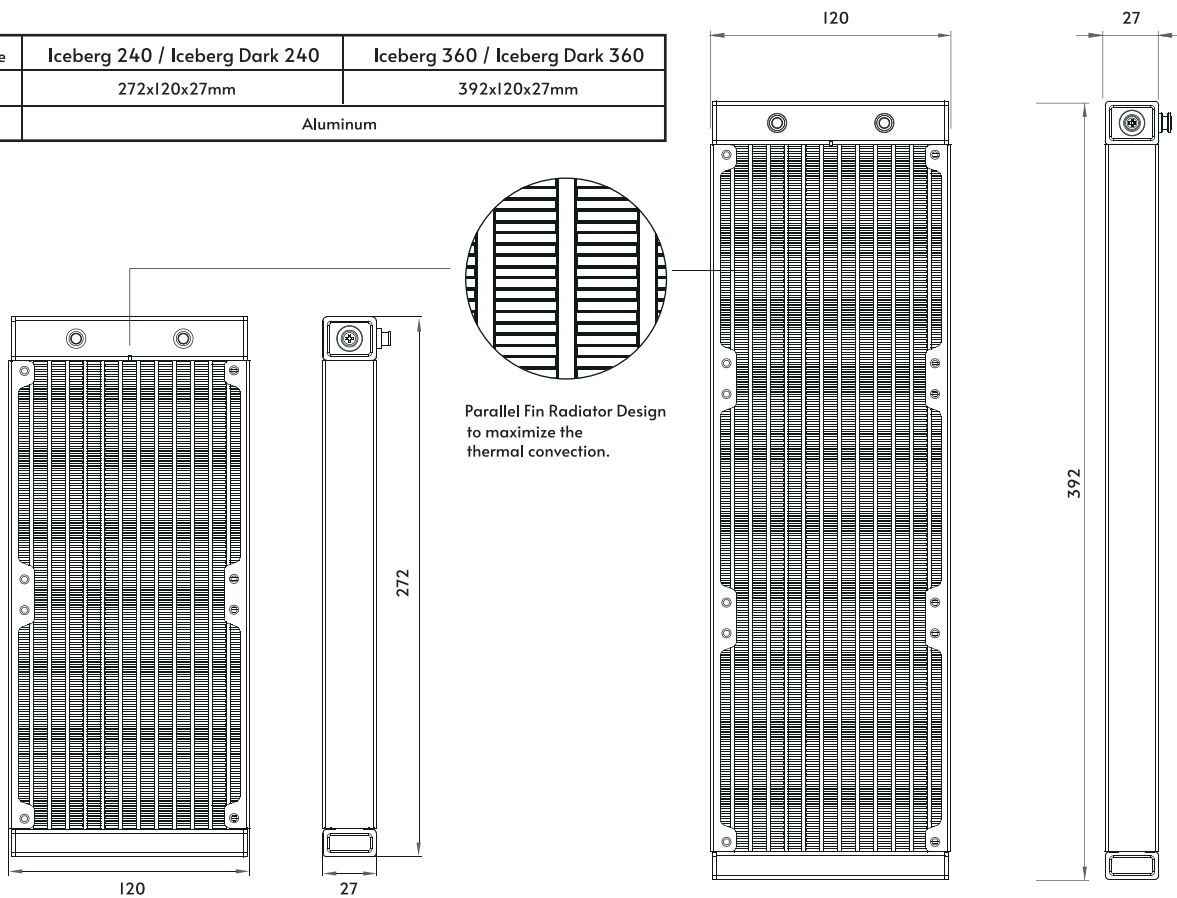
5V Addressable RGB Header : for Compatible ASUS, MSI , ASRock or Gigabyte Motherboards

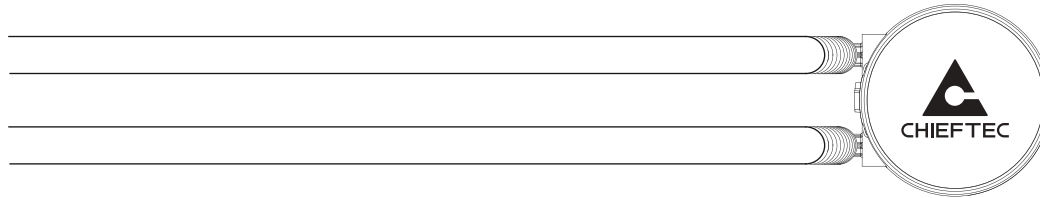


Iceberg 240 / Iceberg Dark 240	
Model No.	TF-2012RGB / TF-2012PWM
Quantity	2pcs
Dimension	120 x 120 x 25mm
Speed	500PRM – 2200RPM±10%
Airflow	64.72CFM
Air Pressure	3.06mmH2O
Noise	34.7dBA
Bearing	Fluid Dynamic Bearing
Rated Voltage	10.2V-13.8V
Rated Current	0.21A
Power Input	2.14W-2.90W
Fan Connector	4pin

Iceberg 360 / Iceberg Dark 360	
Model No.	TF-3012RGB / TF-3012PWM
Quantity	3 pcs
Dimension	120 x 120 x 25mm
Speed	500PRM – 2200RPM±10%
Airflow	64.72CFM
Air Pressure	3.06mmH2O
Noise	34.7dBA
Bearing	Fluid Dynamic Bearing
Rated Voltage	10.2V-13.8V
Rated Current	0.21A
Power Input	2.14W-2.90W
Fan Connector	4pin

Model Name	Iceberg 240 / Iceberg Dark 240	Iceberg 360 / Iceberg Dark 360
Dimensions	272x120x27mm	392x120x27mm
Material	Aluminum	





WATER BLOCK	Dimensions	82.9x73.2x50.7mm
	Material (Block)	Copper
	Material (Housing)	Plastic
PUMP	Motor Speed	2700RPM
	Rated Voltage	12.0V
	Rated Current	0.2A
	Power Input	2.4W
	Connector	4pin
TUBE	Length	400mm
	Material	Braided rubber tube + electrophoresis black aluminum composite
CAP	Material	Glass and plastic
	Rotation Orientation	360 Degrees



CB

CE

EAC



interseroh

MADE IN
CHINA

Arena Electronic GmbH
Koppersstr.18, 40549 Düsseldorf
Germany

www.chieftec.eu