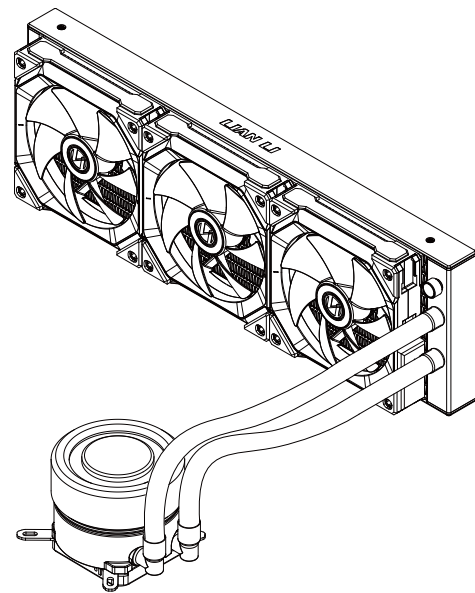












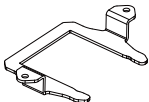



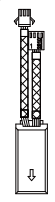
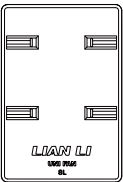
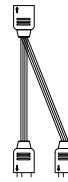



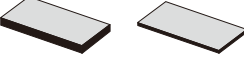


Galahad AIO 240/360 UNI FAN SL Edition

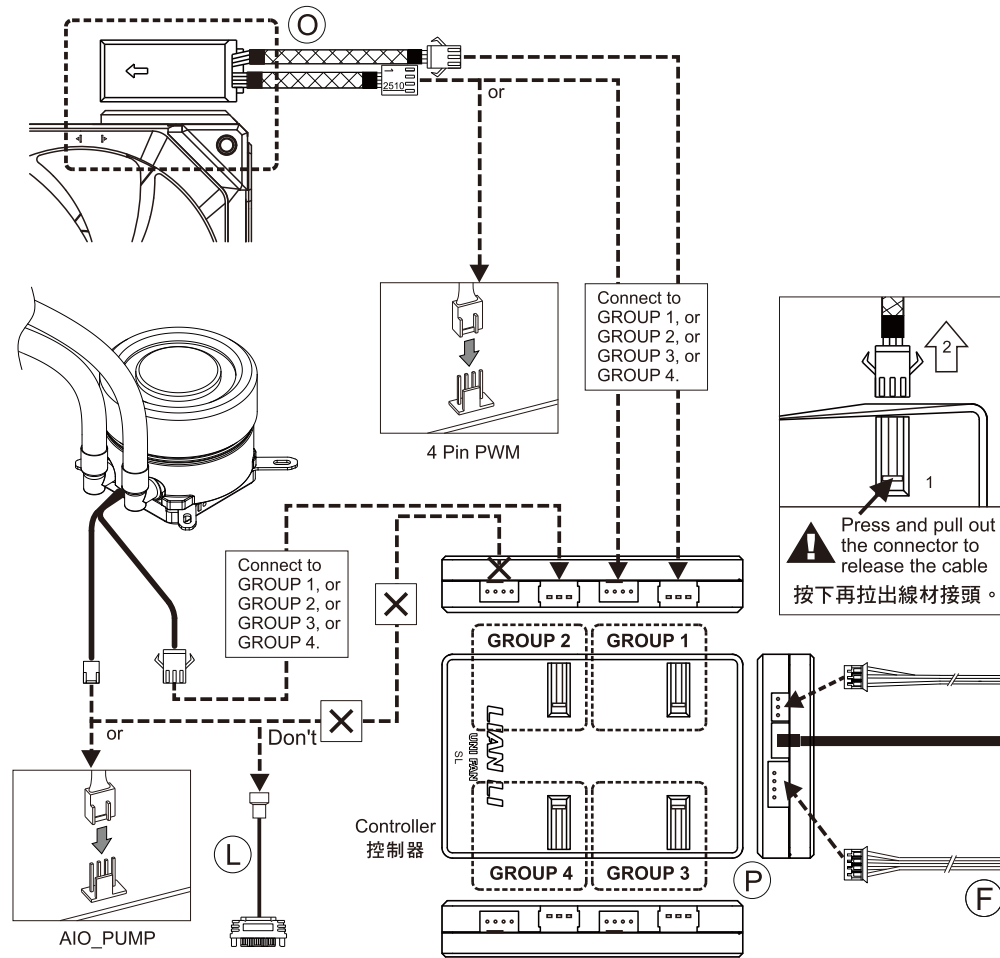


INSTALLATION GUIDE
安裝指南

HARDWARE LIST 零件盒部品一覽表

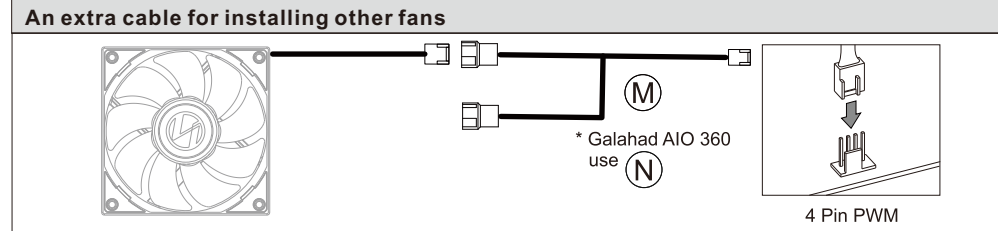
<p>(A)</p>  <p>X1</p>	<p>(B)</p>  <p>240X8 360X12</p>	<p>(C)</p>  <p>240X8 360X12</p>	<p>(D)</p>  <p>LGA1700</p> <p>X1</p>	<p>(E)</p>  <p>115X</p> <p>X1</p>	<p>(F)</p>  <p>X1</p>
<p>(G)</p>  <p>X1</p>	<p>(H)</p>  <p>X4</p>	<p>(I)</p> <p>Coarse threaded</p>  <p>M4 SILVER for Intel 2011/2066</p> <p>X4</p>	<p>(J)</p>  <p>X2</p>	<p>(K)</p>  <p>X1</p>	<p>(L)</p>  <p>X1</p>
<p>(M)</p>  <p>240X1</p>	<p>(N)</p>  <p>360X1</p>	<p>(O)</p>  <p>X1</p>	<p>(P)</p>  <p>X1</p>	<p>(Q)</p>  <p>X1</p>	<p>(R)</p>  <p>X1</p>
<p>(S)</p> <p>Fine threaded</p>  <p>M3 BLACK for Intel LGA1700</p> <p>X4</p>	<p>(T)</p> <p>Fine threaded</p>  <p>M3 SILVER for Intel LGA115X/1200</p> <p>X4</p>	<p>(U)</p>  <p>Magnetic</p> <p>X1 X1</p>			

CONTROLLER CABLE CONNECTION
控制器線材連接



MOTHERBOARD SYNC
同步主板

MOTHERBOARD 5V ADDRESS LED HEADER

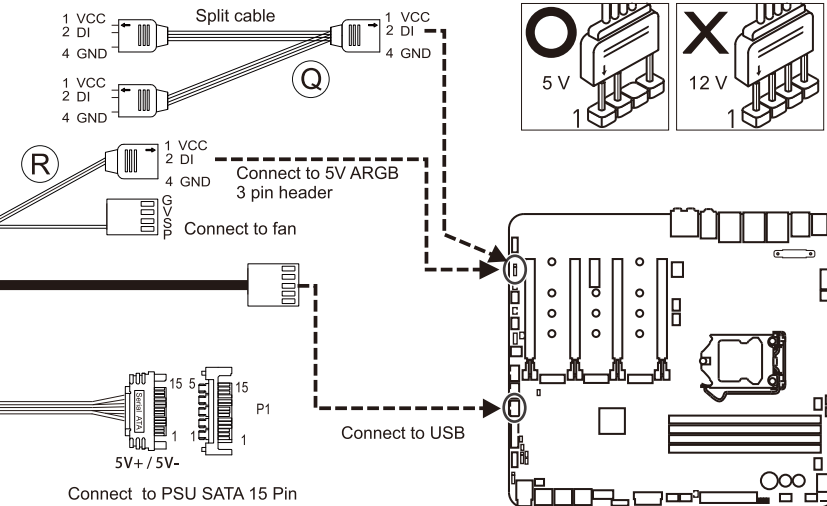
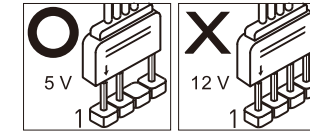


Warning: Do not connect the wrong type of LED connector. If it is connected to the 12 V connector, permanent damage will occur.

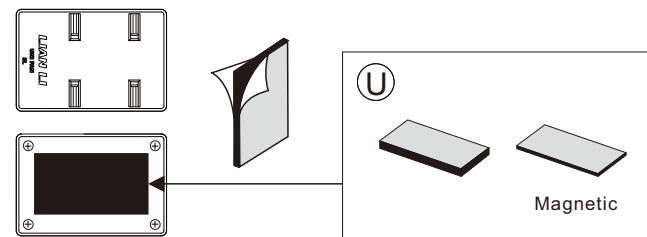
警告: 請不要連接錯誤類型的LED接頭，如果連接到12V接口，將造成永久損壞。

1 ADDRESS LED header

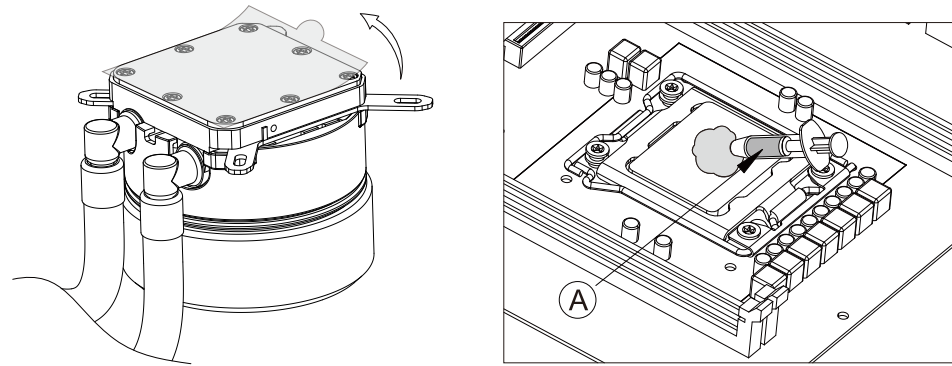
1	+5V	2	Data
3	No Pin	4	Ground



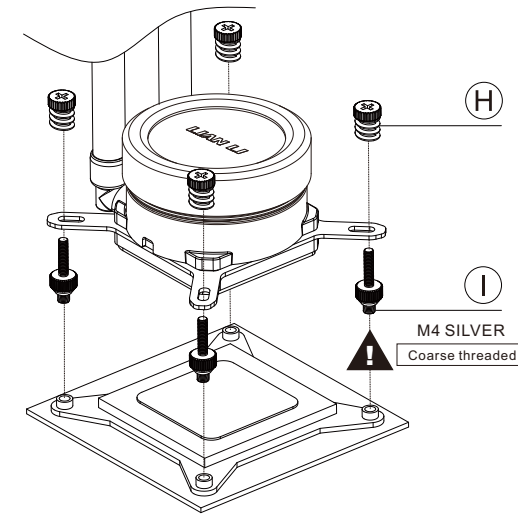
CONTROLLER FIX PAD INSTALLATION
控制器固定片安裝



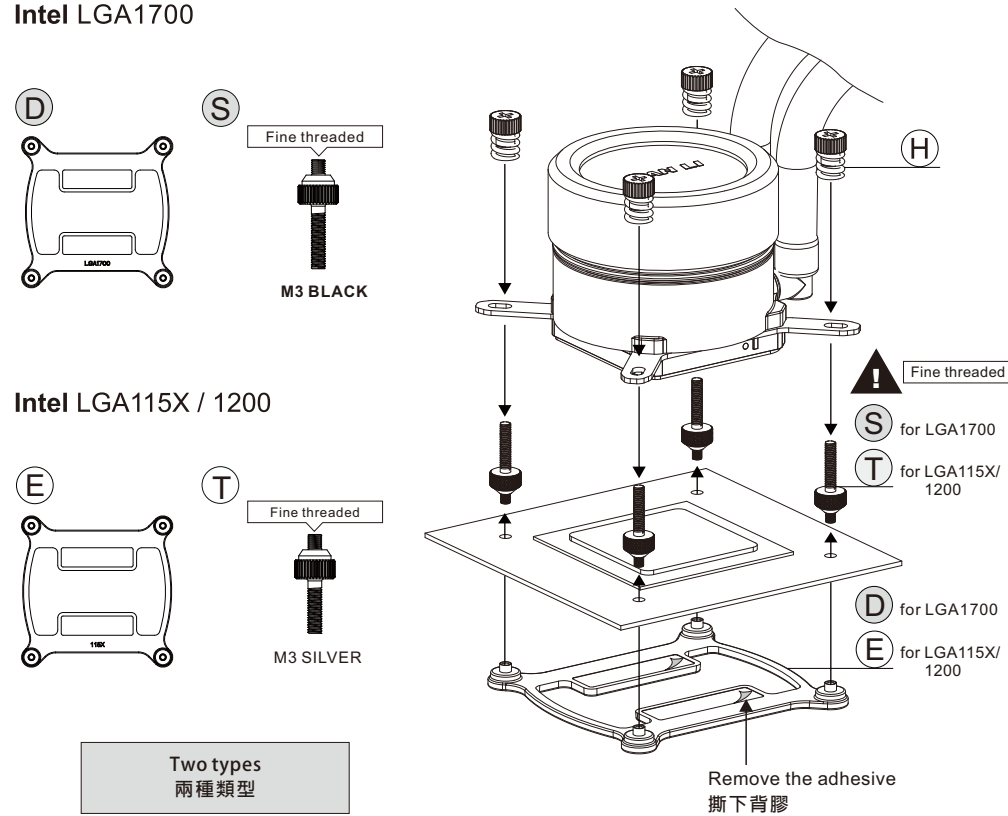
Intel / AMD



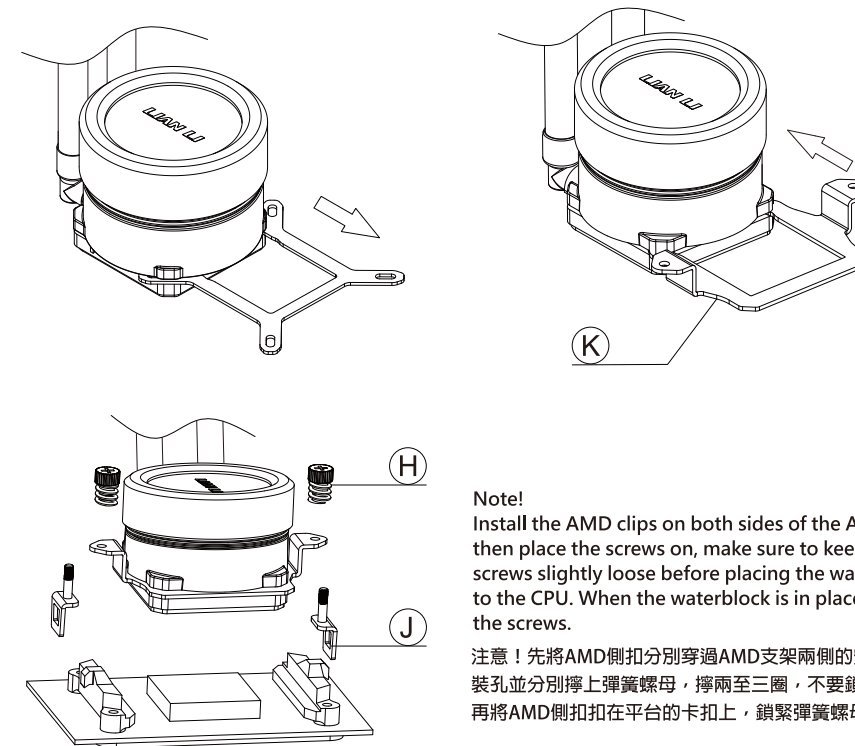
Intel 2011 / 2066



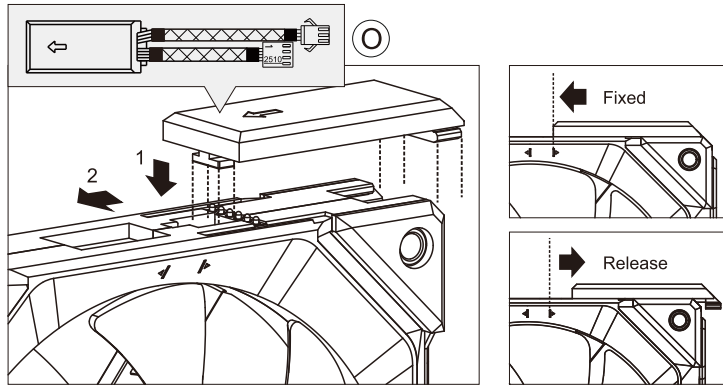
Intel LGA1700



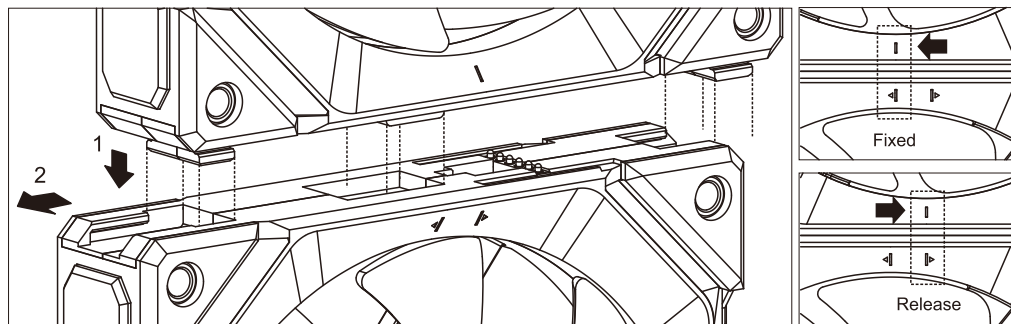
AMD AM4



FAN CABLE INSTALLATION
風扇線材安裝

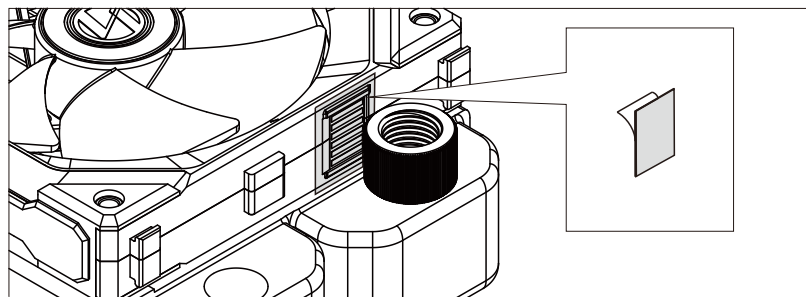


FAN TO FAN CONNECTION
風扇連接風扇

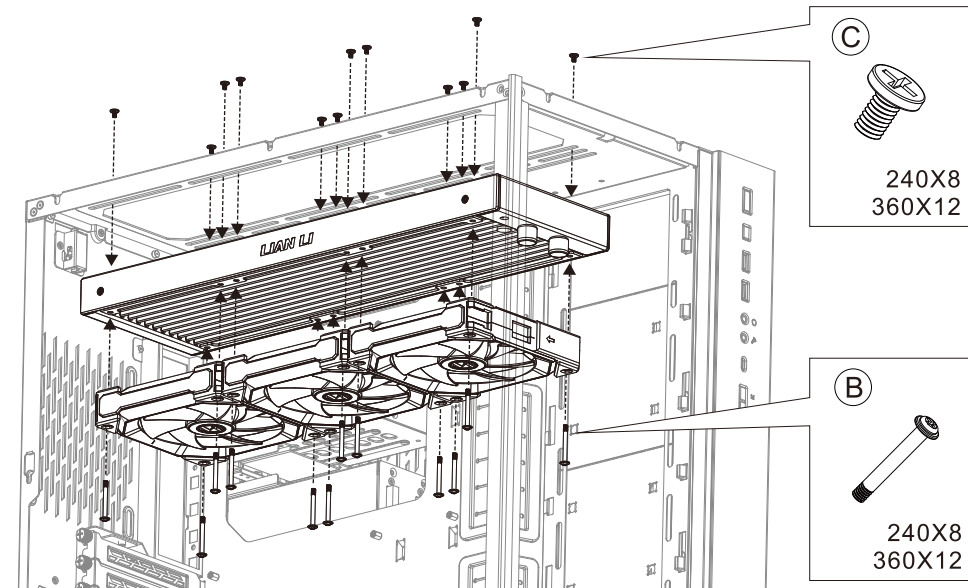


! Note: If install UNI FAN SL120 to other radiators, make sure that the fittings on the radiators do not interfere with the contact point on the side of the fans. Recommend to use the insulating tape to isolate contact points.

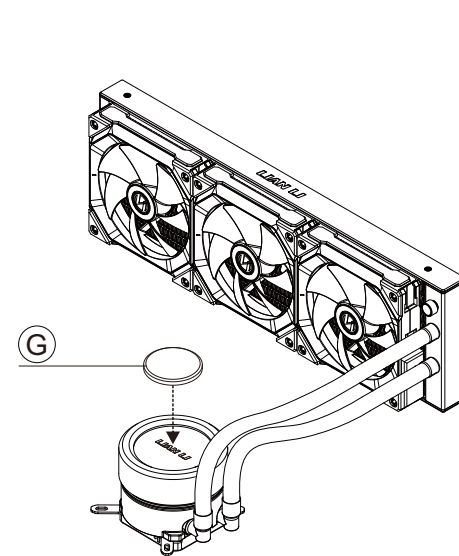
注意: 若將 UNI FAN SL120 安裝置其他冷排時, 請確保散熱器上的轉接頭不會干擾風扇側面的接觸點, 我們建議使用絕緣膠帶來隔離接觸點。



GALAHAD AIO 240/360 UNI FAN SL INSTALLATION
GALAHAD AIO 240/360 UNI FAN SL 安裝



COVER INSTALLATION
蓋子安裝



ROTATING WATER COOLING HEAD
可轉動水冷頭

