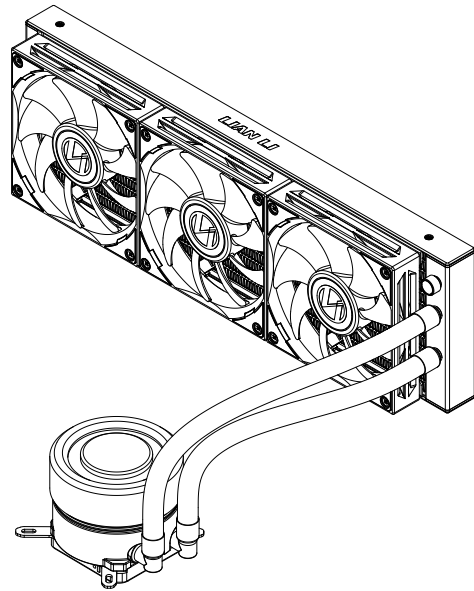







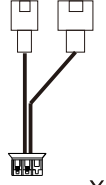




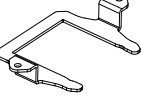





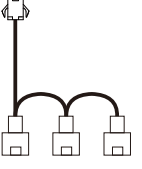





Galahad AIO 240 / 360

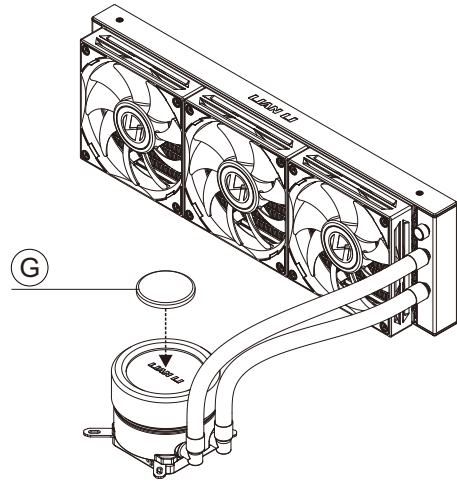


INSTALLATION GUIDE
安裝指南

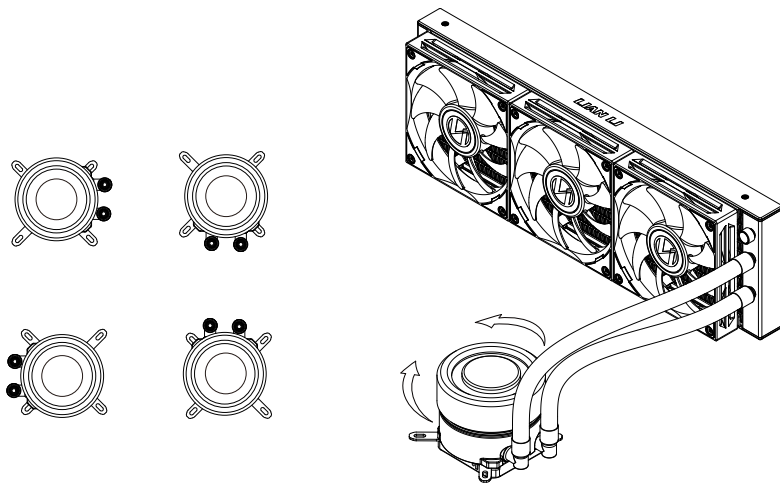
Hardware List 零件盒部品一覽表

<p>(A)</p>  <p>X1</p>	<p>(B)</p>  <p>240X8 360X12</p>	<p>(C)</p>  <p>240X8 360X12</p>	<p>(D)</p>  <p>LGA1700</p> <p>X1</p>	<p>(E)</p>  <p>115X</p> <p>X1</p>	<p>(F)</p>  <p>X1</p>
<p>(G)</p>  <p>X1</p>	<p>(H)</p>  <p>X4</p>	<p>(I)</p> <p>Coarse threaded</p>  <p>M4 SILVER for Intel 2011/2066</p> <p>X4</p>	<p>(J)</p>  <p>X2</p>	<p>(K)</p>  <p>X1</p>	<p>(L)</p>  <p>X1</p>
<p>(M)</p>  <p>240X1</p>	<p>(N)</p>  <p>360X1</p>	<p>(O)</p>  <p>X1</p>	<p>(P)</p>  <p>X1</p>	<p>(Q)</p>  <p>X1</p>	<p>(R)</p>  <p>X1</p>
<p>(S)</p> <p>Fine threaded</p>  <p>M3 BLACK for Intel LGA1700</p> <p>X4</p>	<p>(T)</p> <p>Fine threaded</p>  <p>M3 SILVER for Intel LGA115X/1200</p> <p>X4</p>				

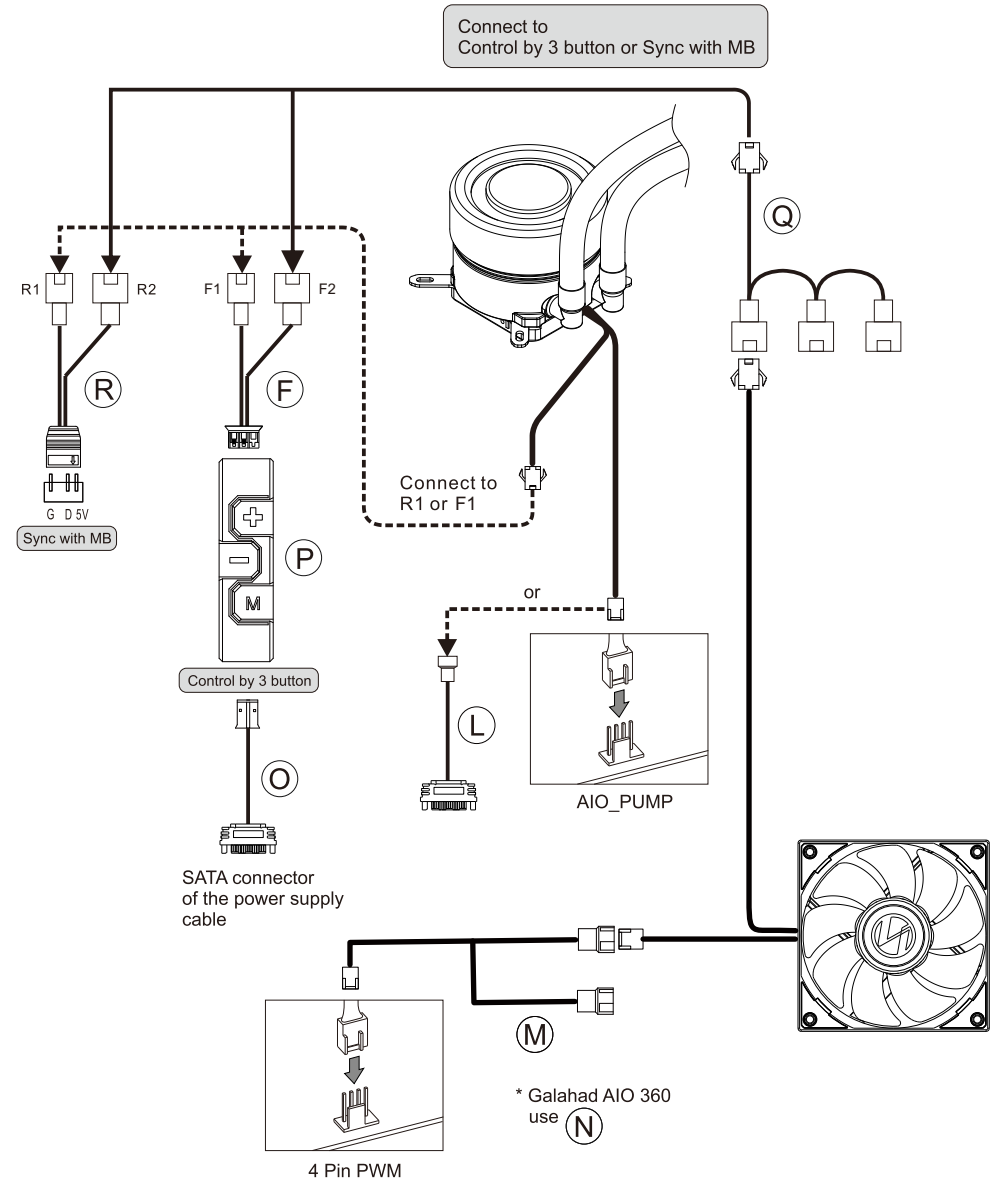
Cover Installation
蓋子安裝



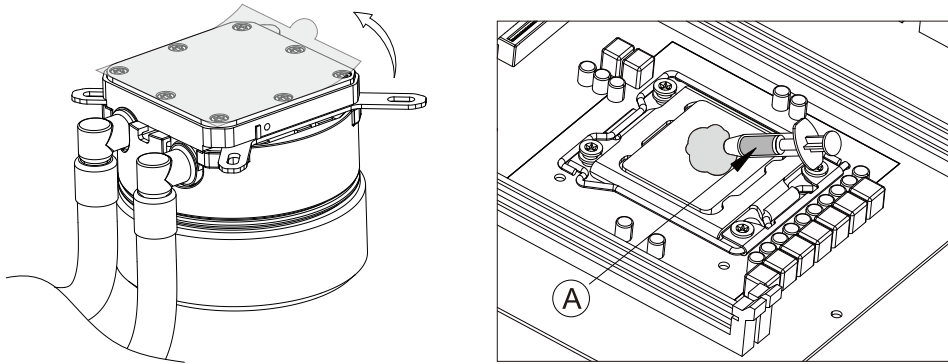
Rotating Water Cooling Head
可轉動水冷頭



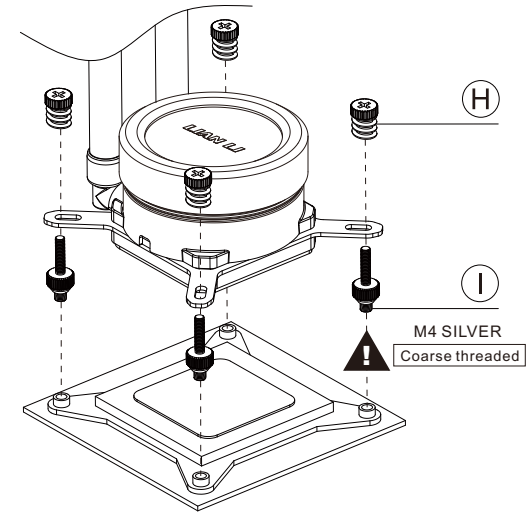
Cable Connection Guide
接線指南



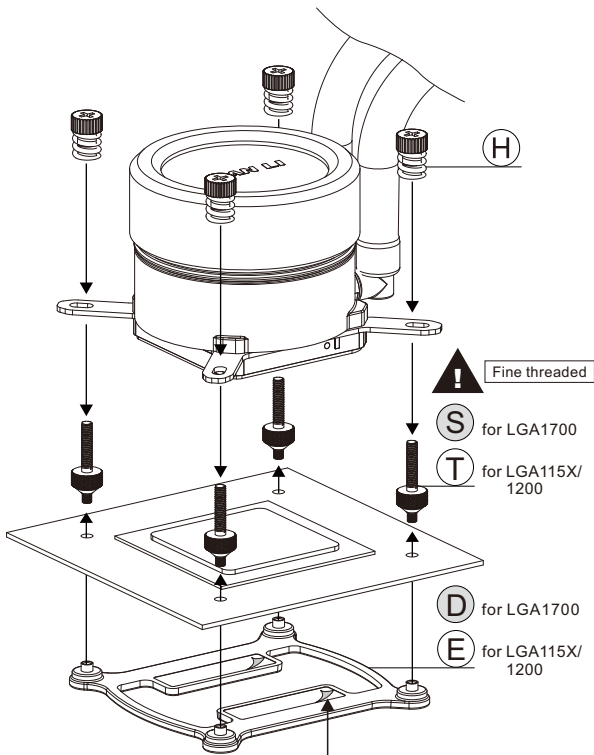
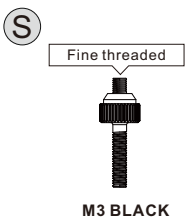
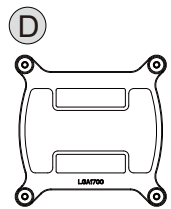
Intel / AMD



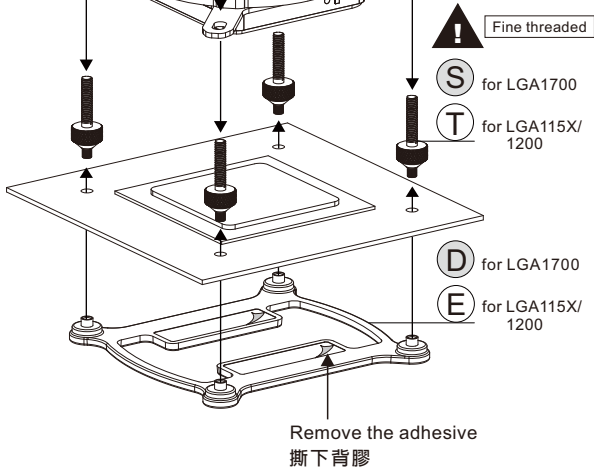
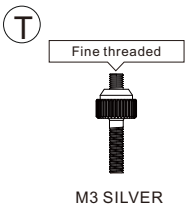
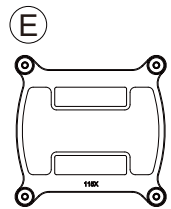
Intel 2011 / 2066



Intel LGA1700

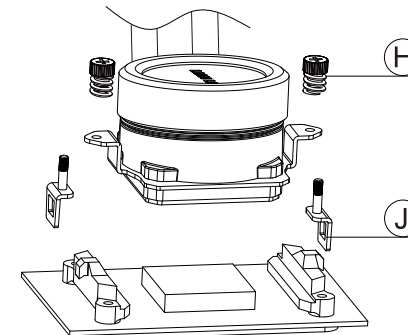
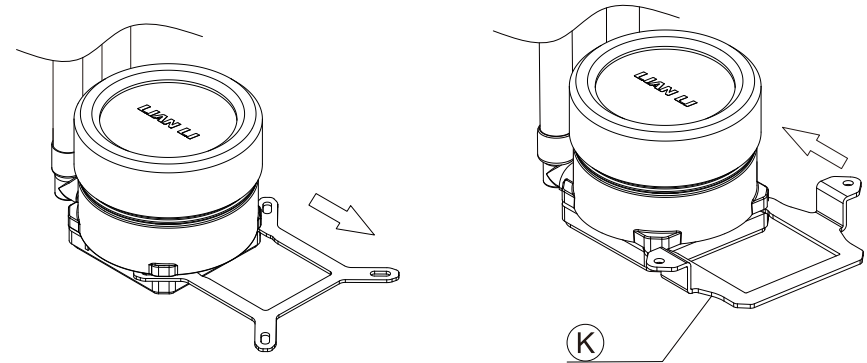


Intel LGA115X / 1200



Two types
兩種類型

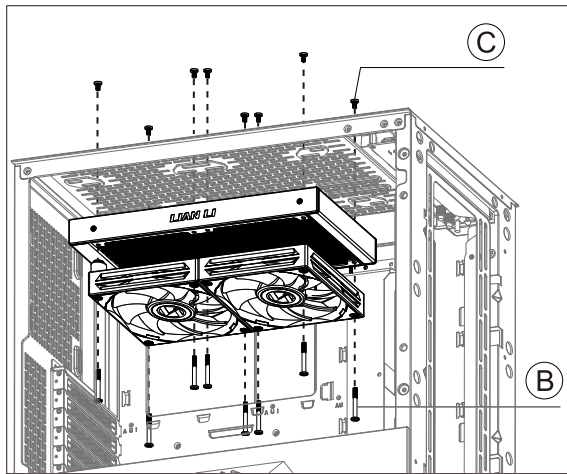
AMD AM4



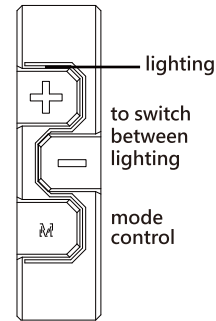
Note!
Install the AMD clips on both sides of the AMD bracket then place the screws on, make sure to keep the screws slightly loose before placing the waterblock on to the CPU. When the waterblock is in place, tighten the screws.

注意！先將AMD側扣分別穿過AMD支架兩側的安裝孔並分別擰上彈簧螺母，擰兩至三圈，不要鎖緊；再將AMD側扣扣在平台的卡扣上，鎖緊彈簧螺母。

Intel / AMD Galahad AIO 240 Installation



Button Function
按鍵功能



Lighting Mode:

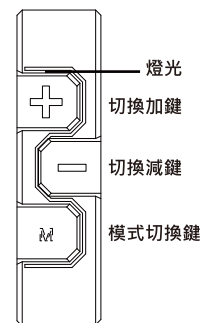
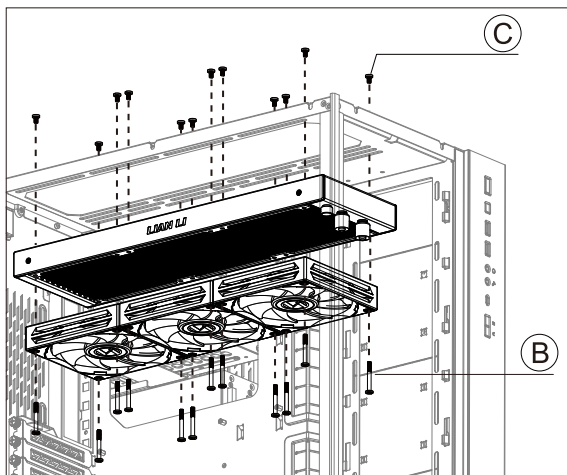
1	rainbow	10	blue overlapping
2	rainbow + breath	11	red
3	rainbow + twinkle	12	orange
4	overlapping	13	yellow
5	rainbow wave	14	green
6	color cycling	15	blue
7	rainbow radar	16	purple
8	red overlapping	17	white
9	green overlapping		

Button:

Press M to adjust the LED indicator to further control lighting mode, speed, or brightness.

1. If the LED indicator is green, press + and/or - to adjust lighting effects.
2. If the LED indicator is red, press + and/or - to adjust speed.
3. If the LED indicator is blue, press + and/or - to adjust brightness.
4. If the LED indicator is yellow, the lighting effect is on auto-mode, thus + and - are unfunctional.

Intel / AMD Galahad AIO 360 Installation



燈效模式定義:

1	炫彩全亮跑馬	10	藍色疊加
2	炫彩全亮呼吸	11	LED恆亮紅光
3	炫彩全亮閃爍	12	LED恆亮橙光
4	底色疊加(白、青、紫、黃、藍、紅、綠、橙)	13	LED恆亮黃光
5	炫彩飄動	14	LED恆亮綠光
6	循環變色	15	LED恆亮藍光
7	炫彩雷達	16	LED恆亮紫光
8	紅色疊加	17	LED恆亮白光
9	綠色疊加		

按鍵操作:

- 1.按"模式切換"鍵,如指示燈亮綠燈,此時按"切換加鍵"按照如上表格順序1-10-1依次運行;此時按"切換減鍵"按照如上表格順序10-1-10依次運行。
- 2.按"模式切換"鍵,如指示燈亮紅燈,此時按"切換加鍵"增快燈速,此時按"切換減鍵"減慢燈速,不支持循環。
- 3.按"模式切換"鍵,如指示燈亮藍燈,此時按"切換加鍵"增加亮度,此時按"切換減鍵"減小亮度,不支持循環。
- 4.按"模式切換"鍵,如指示燈亮黃燈,此時從當下的模式開始依照表格順序依次循環運行。此模式下切換鍵不具備功能。