

展開尺寸Actual: W: 594mm x H: 420mm (A2)

摺疊尺寸Folded: W: 198mm x H: 140mm

## Front

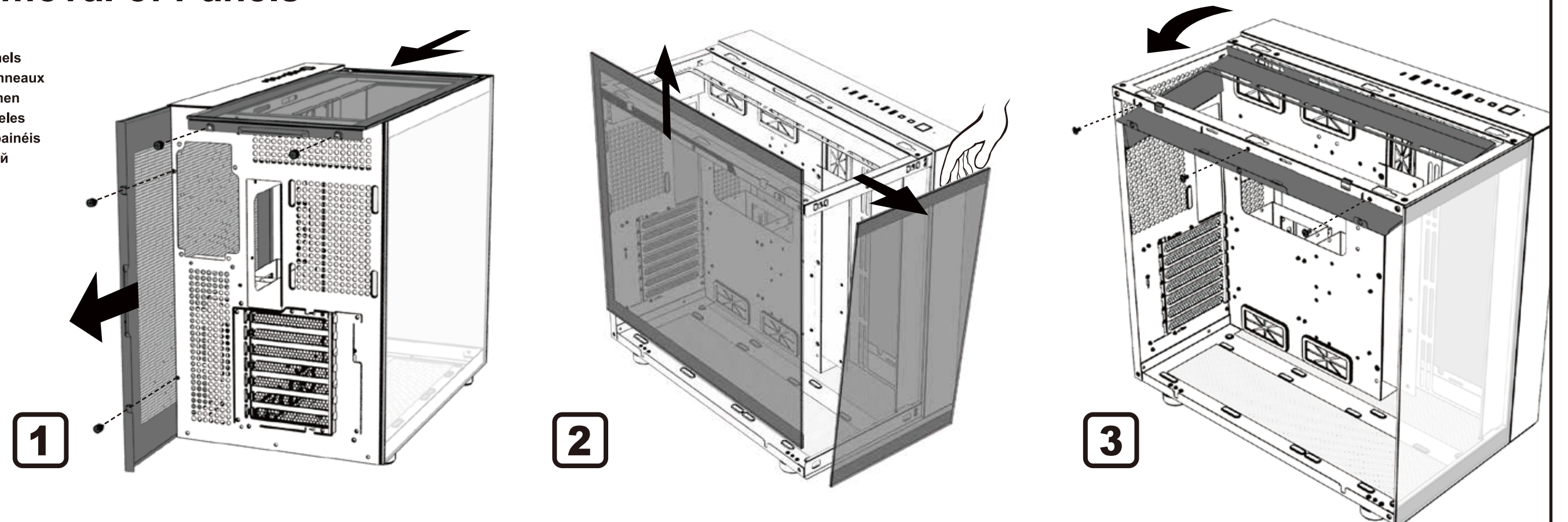


## QUA ULTRA SERIES

www.xigmatek.com

### 1 Removal of Panels

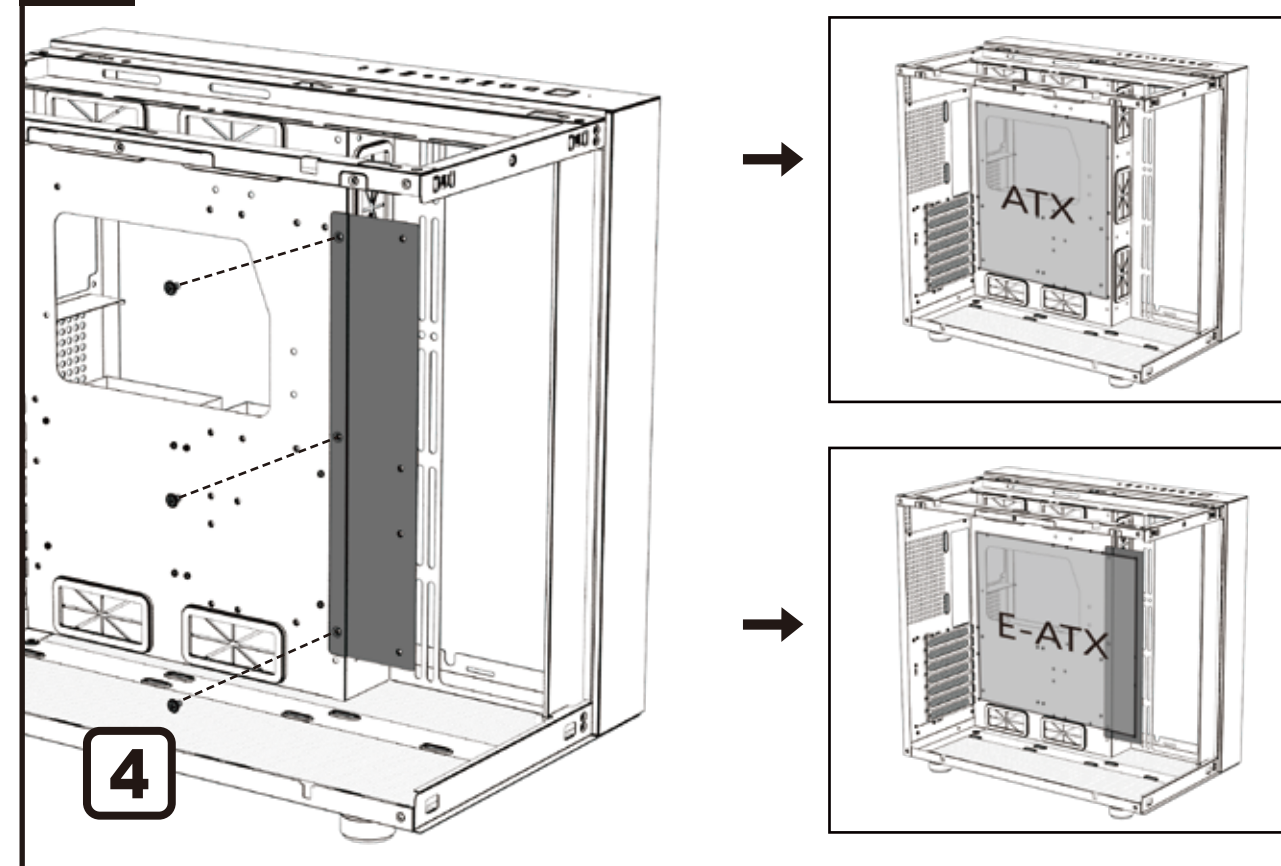
- Removal of Panels
- Dépose des panneaux
- Blenden entfernen
- Extraer los paneles
- Remoção dos painéis
- Снятие панелей
- 卸除側板
- パネルの取り外し



### Accessory Pack Contents

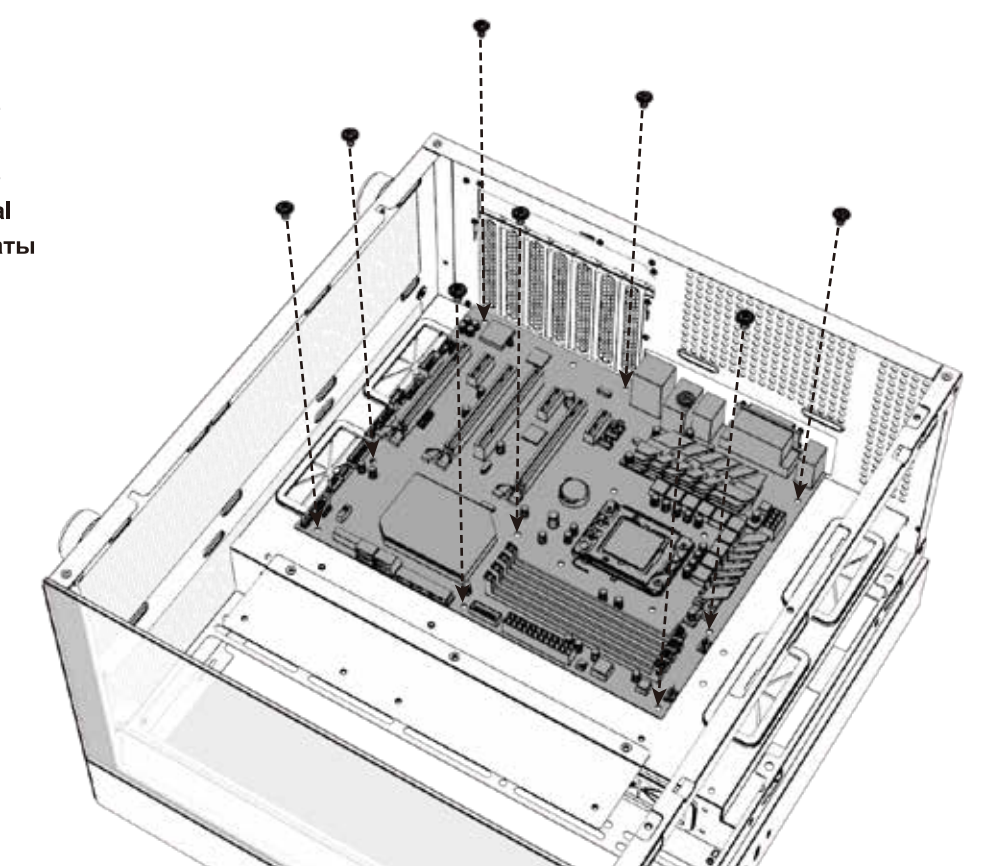
X 25 主機板螺絲+2.5吋硬碟螺絲 Motherboard Screw +2.5" Drive Screw	X 4 電源螺絲 Power Supply Screw	X 16 3.5吋硬碟螺絲 3.5" Drive Screw
X 4 主機板銅柱 Motherboard Stand-off	X 5 束線帶 Cable Tie	X 1 E-ATX擴充板 E-ATX Extension Panel

### 2 E-ATX Extension Panel Installation

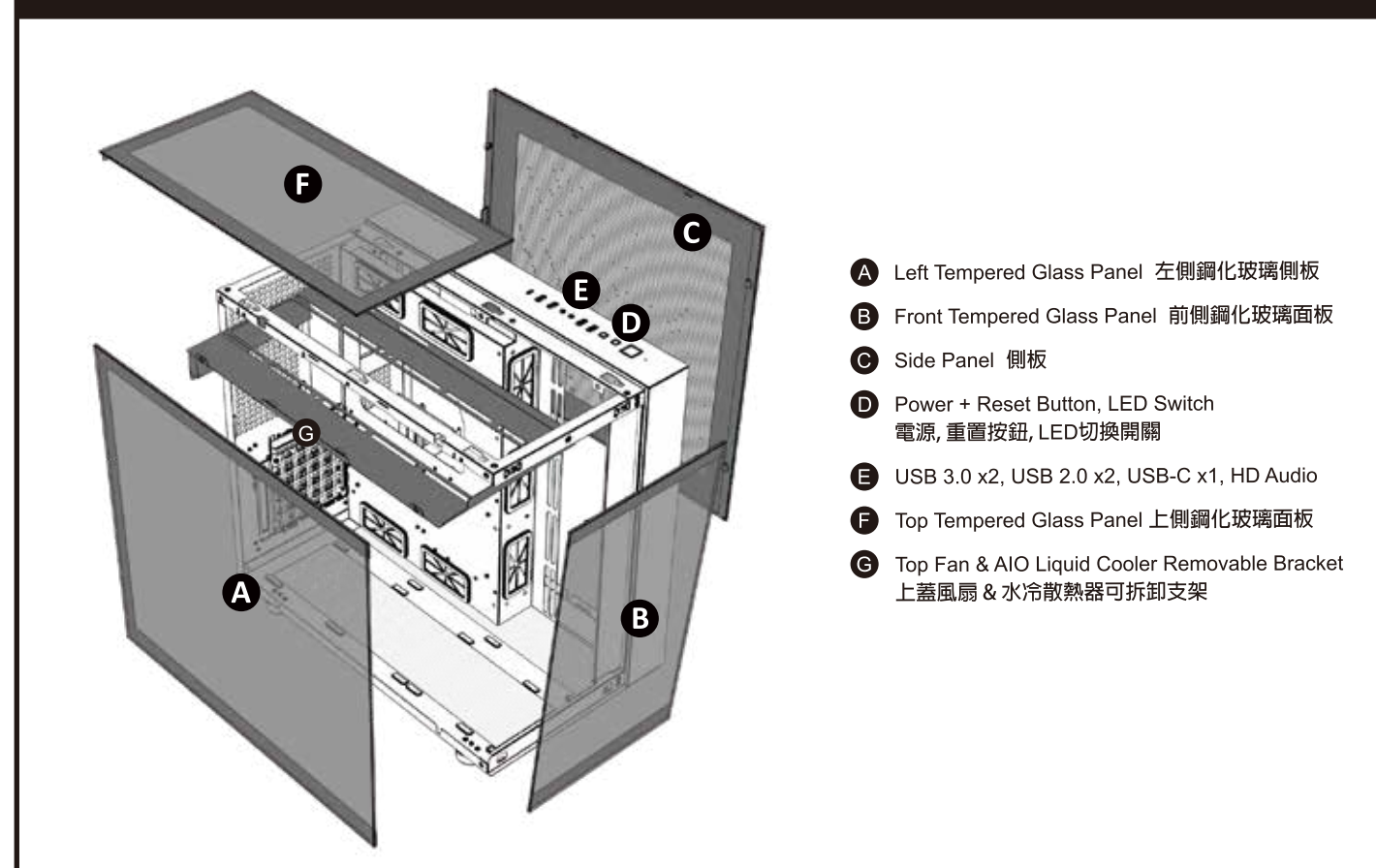


### 3 Motherboard Installation

- Motherboard Installation
- Installation de la carte mère
- Motherboard installieren
- Instalación de la placa base
- Instalação da placa principal
- установка материнской платы
- 安裝主機板
- マザーボードの取り付け

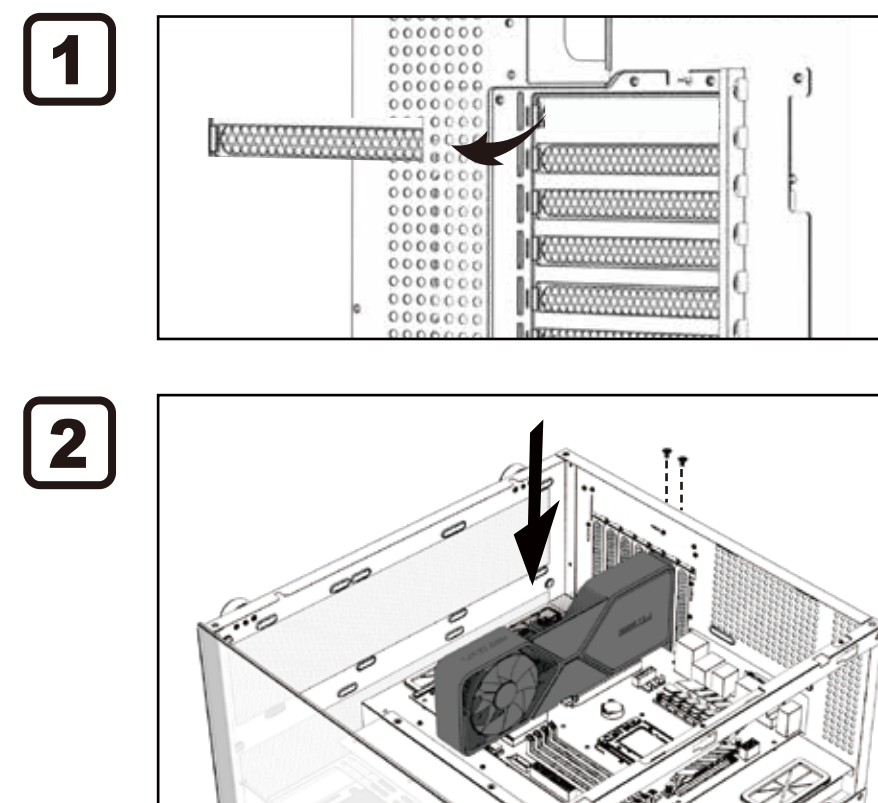


### Case Features

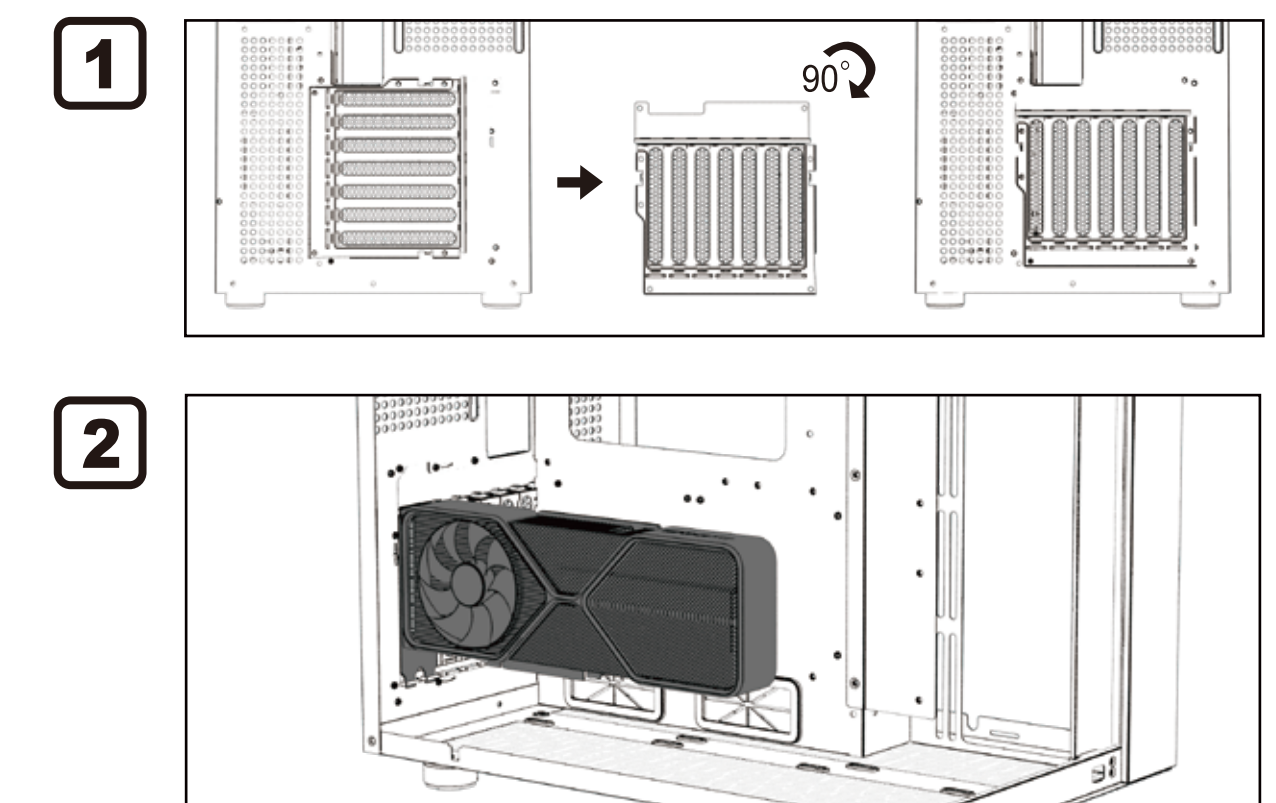


### 4 Add-On Card Installation

- Add-On Card Installation
- Installation d'une carte supplémentaire
- Erweiterungskarte installieren
- Instalación de la tarjeta complementaria
- Instalação de placas adicionais
- Установка платы расширения
- 安裝顯示卡/擴取卡
- アドオンカードの取り付け

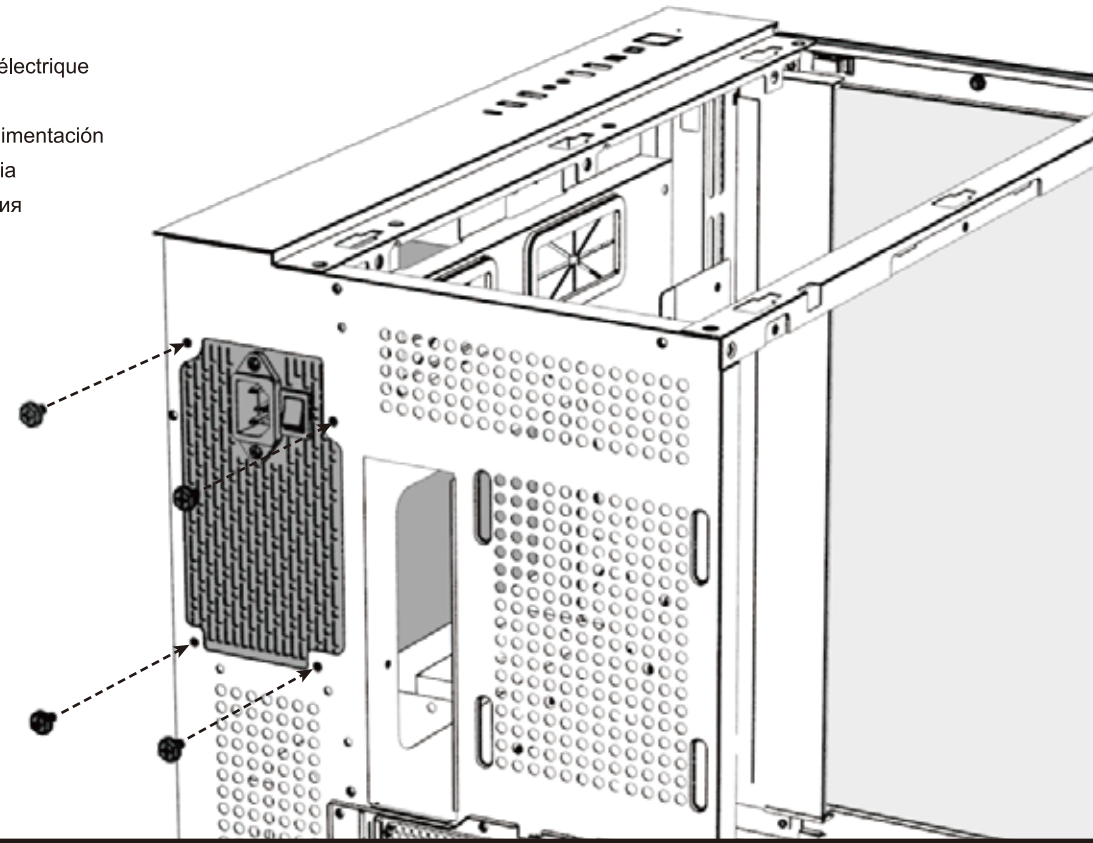


### Vertical GPU Installation



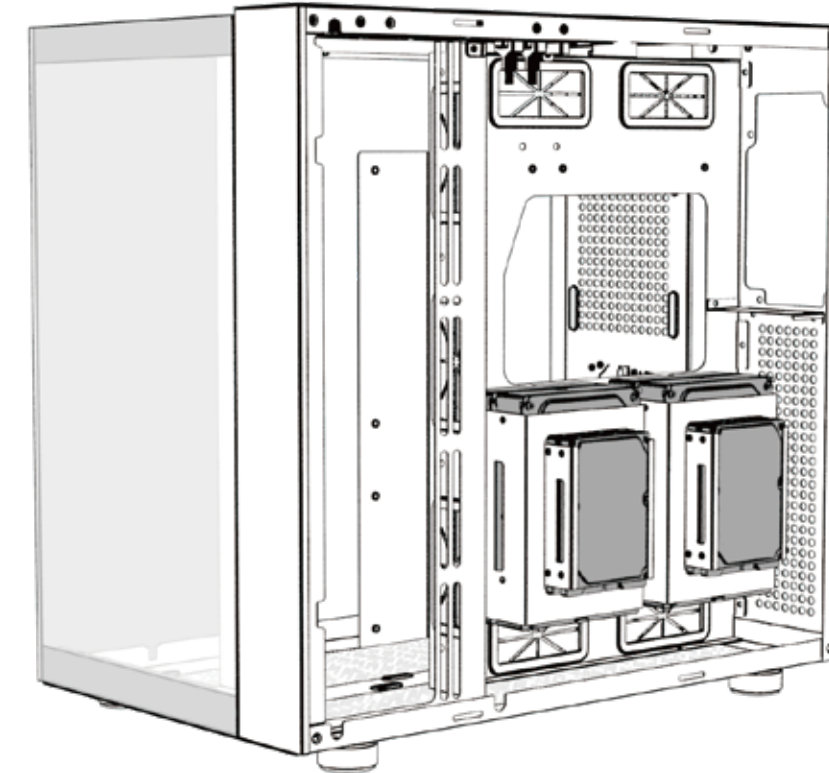
## 5 Power Supply Installation

- ▶ Power Supply Installation
- ▶ Installation de l'alimentation électrique
- ▶ Installation des Netzteil
- ▶ Instalación de la fuente de alimentación
- ▶ Instalação da fonte de energia
- ▶ Установка источника питания
- ▶ 電源供應器安裝
- ▶ 電源裝置的取り付け

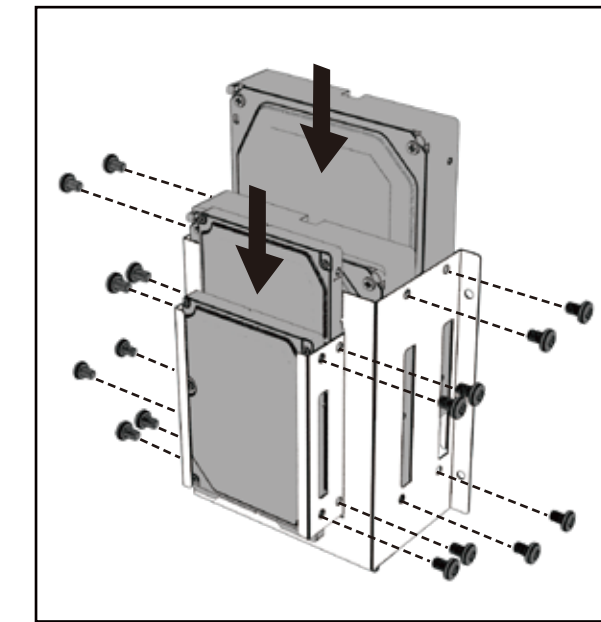


## 6 3.5" HDD & 2.5" SSD/HDD Installation

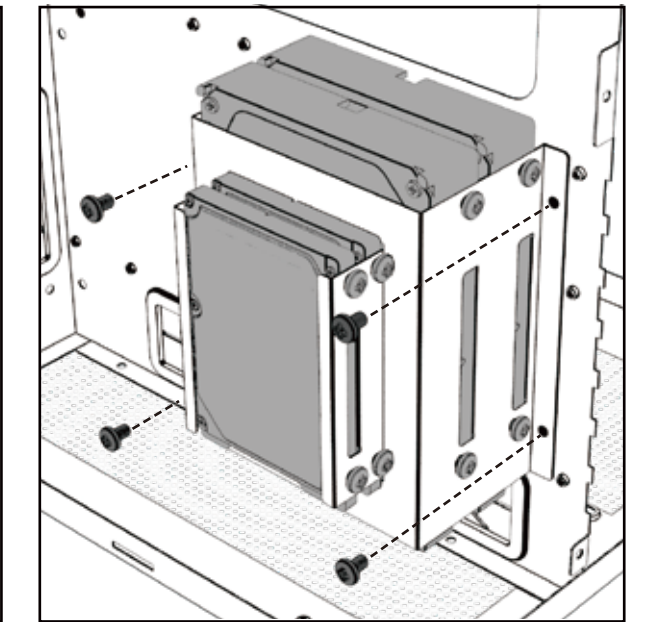
- ▶ 2.5" SSD Installation / 3.5" HDD Installation
- ▶ Installation d'un SSD de 2,5" / Installation d'un disque dur de 3,5"
- ▶ 2,5-Zoll-SSD installieren / 3,5-Zoll-Festplatte installieren
- ▶ Instalación de la unidad de estado sólido de 2,5"/Instalación de la unidad de disco duro de 3,5"
- ▶ Instalação do SSD de 2,5"/Instalação da unidade de disco rígido de 3,5"
- ▶ Установка твердотельного накопителя 2,5 дюйма/Установка жесткого диска 3,5 дюйма
- ▶ 安裝2.5吋硬碟/安裝3.5吋硬碟
- ▶ 2.5英寸SSDの取り付け/3.5英寸HDDの取り付け



1



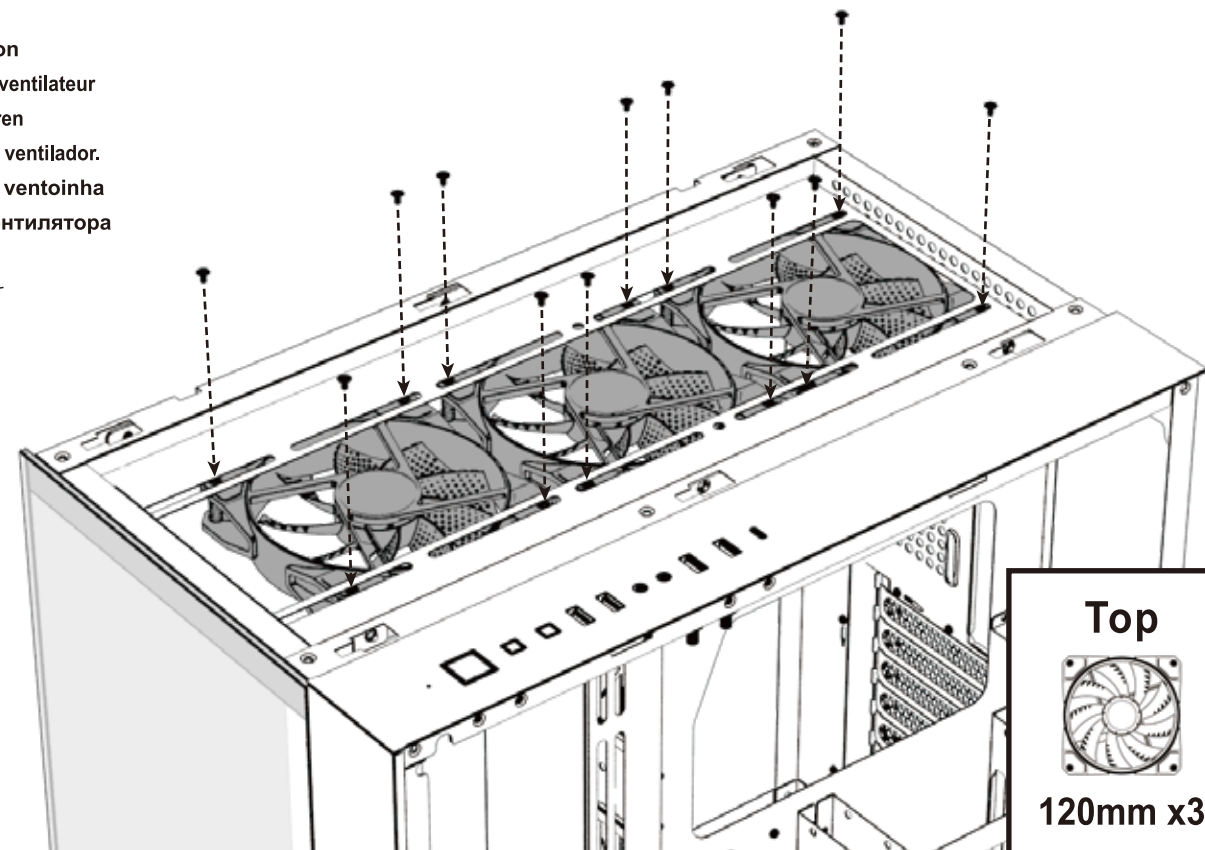
2



2PCS Removeable HDD Cages  
Support 3.5" HDD x4 & 2.5" SSD x4

## 7 Top Fan Installation

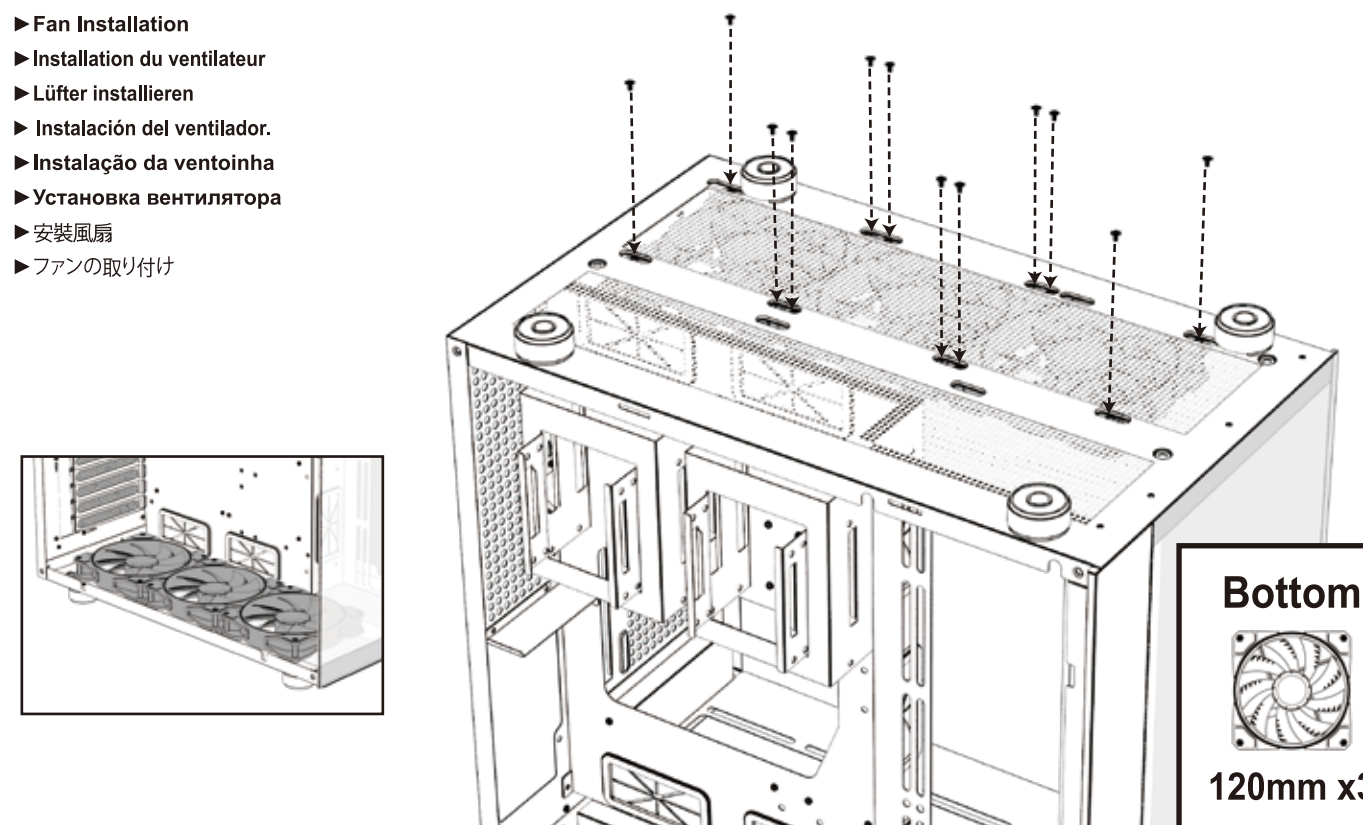
- ▶ Fan Installation
- ▶ Installation du ventilateur
- ▶ Lüfter installieren
- ▶ Instalación del ventilador.
- ▶ Instalação da ventoinha
- ▶ Установка вентилятора
- ▶ 安裝風扇
- ▶ ファンの取り付け



Top  
120mm x3

## 8 Bottom Fan Installation

- ▶ Fan Installation
- ▶ Installation du ventilateur
- ▶ Lüfter installieren
- ▶ Instalación del ventilador.
- ▶ Instalação da ventoinha
- ▶ Установка вентилятора
- ▶ 安裝風扇
- ▶ ファンの取り付け

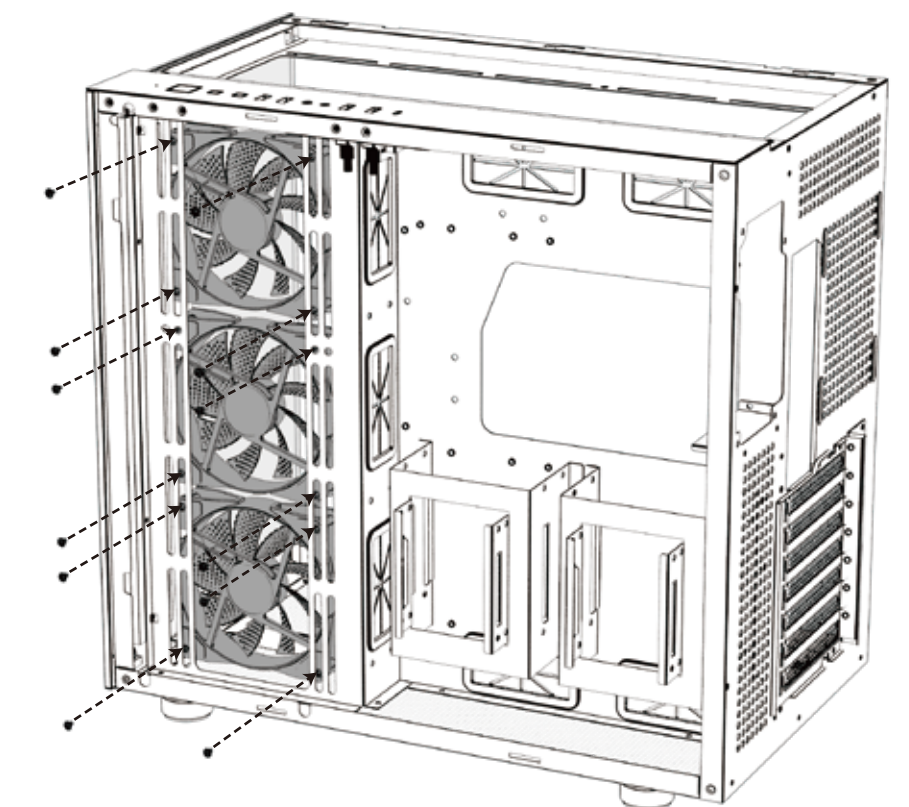


Bottom  
120mm x3

## 9 Motherboard Panel Fan Installation

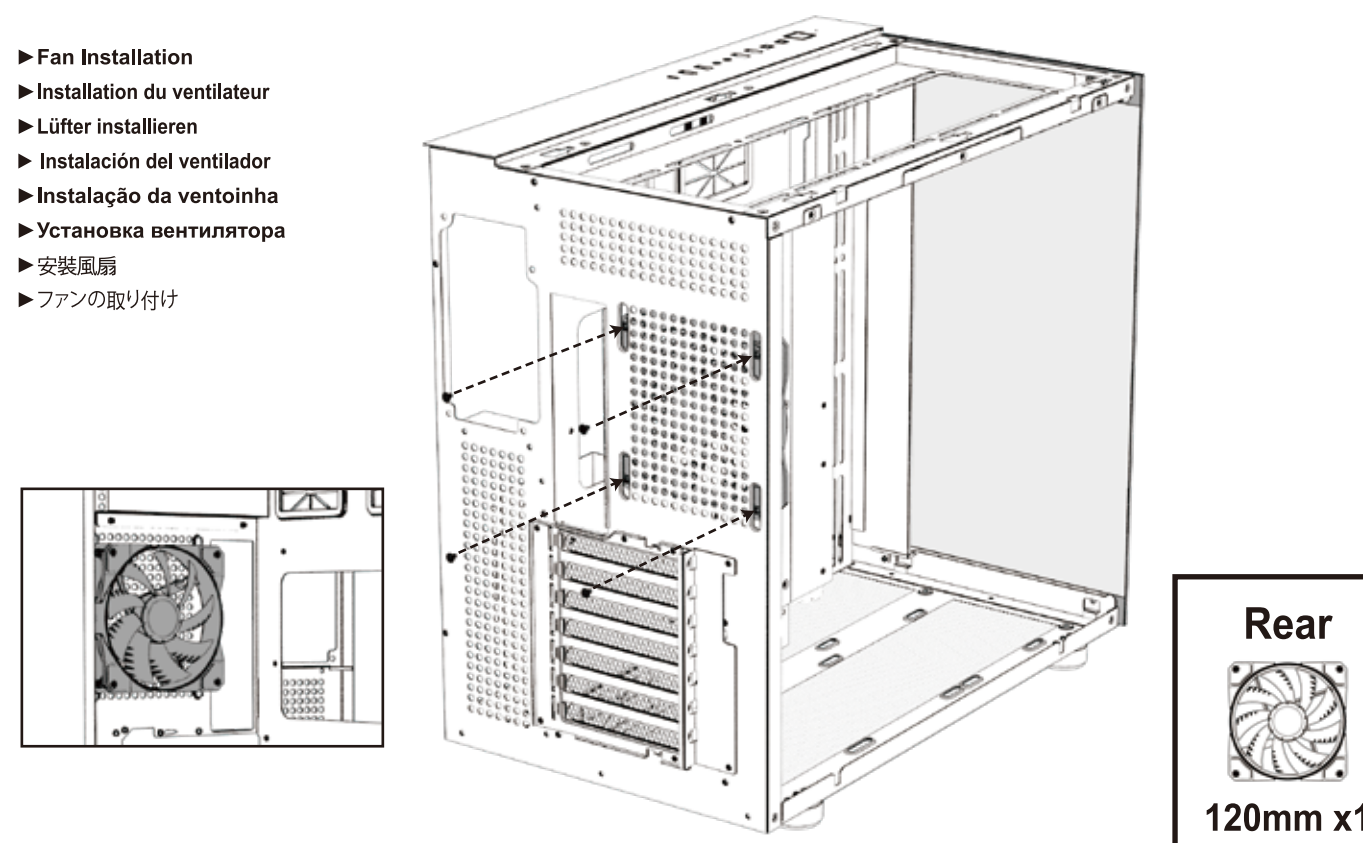
- ▶ Fan Installation
- ▶ Installation du ventilateur
- ▶ Lüfter installieren
- ▶ Instalación del ventilador.
- ▶ Instalação da ventoinha
- ▶ Установка вентилятора
- ▶ 安裝風扇
- ▶ ファンの取り付け

MB Panel  
120mm x3



## 10 Rear Fan Installation

- ▶ Fan Installation
- ▶ Installation du ventilateur
- ▶ Lüfter installieren
- ▶ Instalación del ventilador
- ▶ Instalação da ventoinha
- ▶ Установка вентилятора
- ▶ 安裝風扇
- ▶ ファンの取り付け

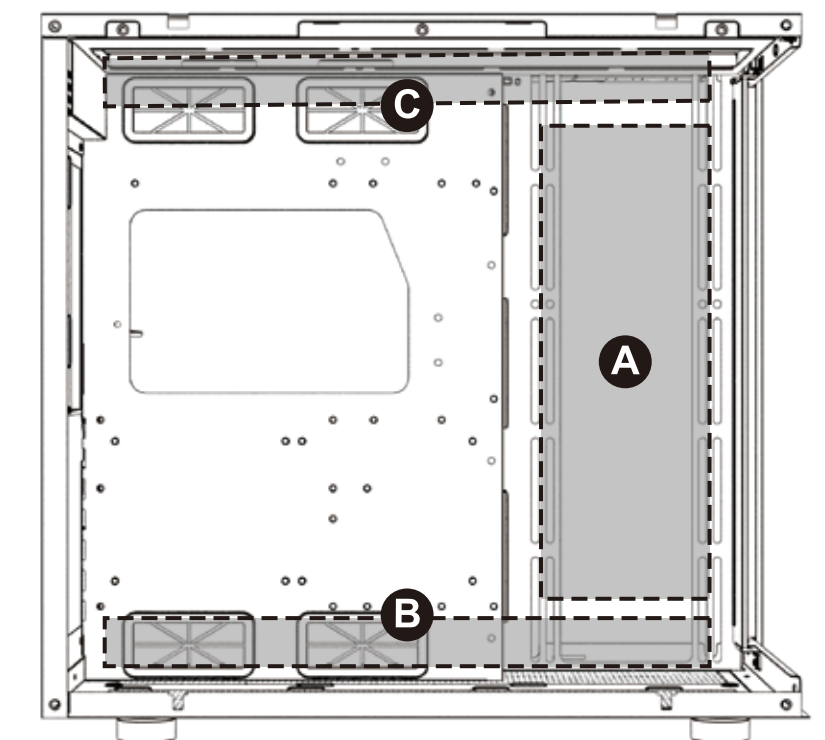


Rear  
120mm x1

## 11 Liquid Cooling Installation

- ▶ Liquid Cooling Installation
- ▶ Installation de refroidissement liquide
- ▶ Installation der Wasserkühlung
- ▶ Instalación de refrigeración líquida
- ▶ Instalação de refrigeração líquida
- ▶ Установка системы жидкостного охлаждения
- ▶ 液冷散熱安裝
- ▶ 水冷裝置的取り付け

A MB Panel: 360mm  
B Bottom: 360mm  
C Top: 360mm



EN PC Case

PT Gabinete de PC

FR Boîtier PC

RU Корпус ПК

DE PC-Gehäuse

CN PC機殼

ES Caja de PC

JP PCケース



XIGMATEK is Registered Trademark of Xigmatek Co., LTD.  
© Copyright 2023-2027 All Rights Reserved



XIGMATEK Co., Ltd.

www.xigmatek.com  
sales@xigmatek.com

Made in China

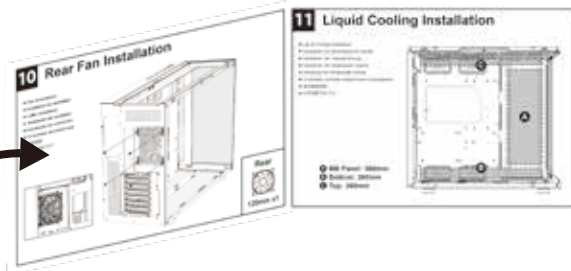
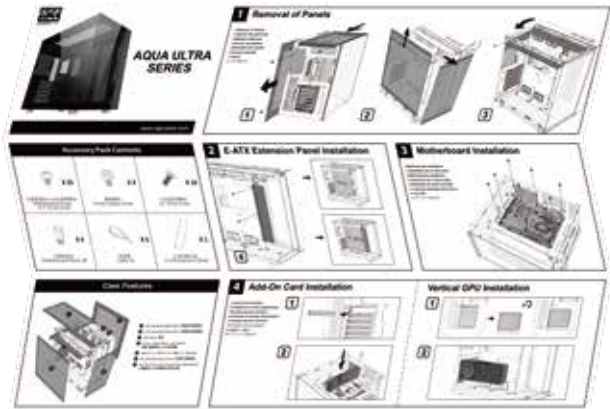


# MANUAL 摺法(單色黑雙面印刷)

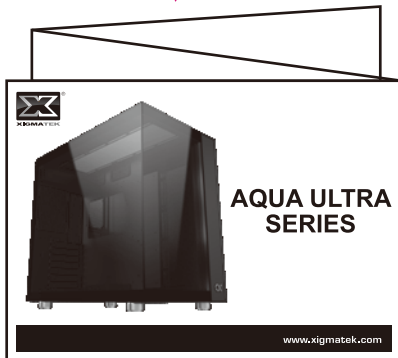
## N+N摺 100P銅板印刷

尺寸：W594mm x H420mm (A2)

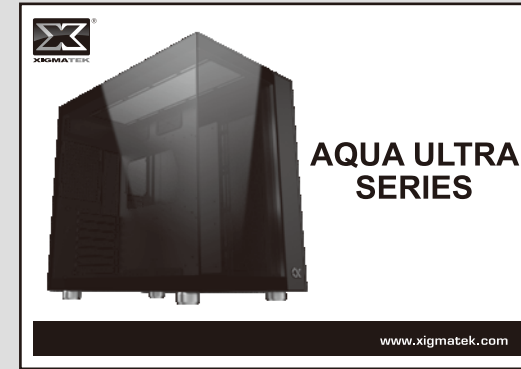
摺疊尺寸：W198mm x H140mm



- |                 |                     |
|-----------------|---------------------|
| [EN] PC Case    | [PT] Gabinete de PC |
| [FR] Boîtier PC | [RU] Корпус ПК      |
| [DE] PC-Gehäuse | [CN] PC機殼           |
| [ES] Caja de PC | [JP] PCケース          |



### 正面完成圖



### 背面完成圖

- |                 |                     |
|-----------------|---------------------|
| [EN] PC Case    | [PT] Gabinete de PC |
| [FR] Boîtier PC | [RU] Корпус ПК      |
| [DE] PC-Gehäuse | [CN] PC機殼           |
| [ES] Caja de PC | [JP] PCケース          |

