

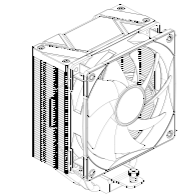
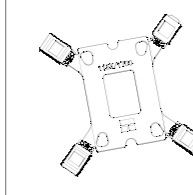
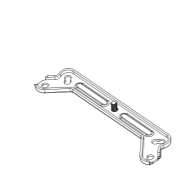



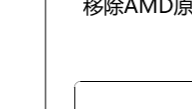
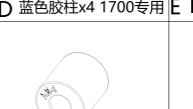

安装说明

Assassin Spirit 120 VISION 系列

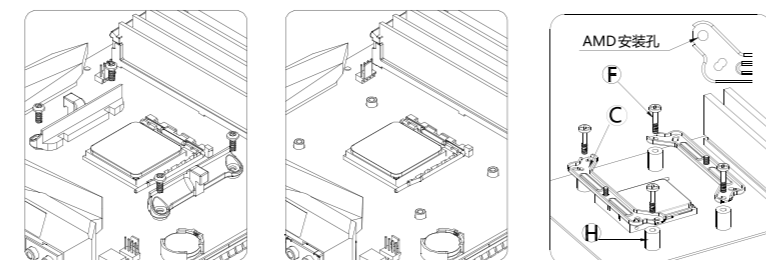
! 安装前请先去除铝底保护膜

www.thermalright.com

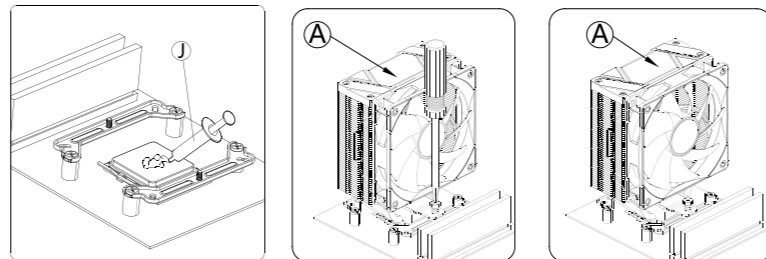
配件清单

 A 散热器 x1	 B LGA115X/1700背板 X1	 C Intel/AMD扣具 x2	
 D 蓝色胶柱x4 1700专用	 E Intel 螺丝 x4	 F AM4/AM5螺丝 x4	 G 黑色胶柱 x4 Intel专用
 H 红色胶柱 x4 AM4/AM5专用	 J 导热膏 x1		

AMD AM4/AM5

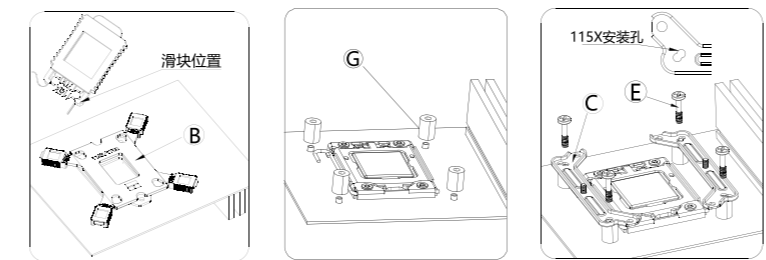


移除AMD原装塑胶支架,保留背板;使用AM4/AM5螺丝【F】将扣具【C】固定到背板

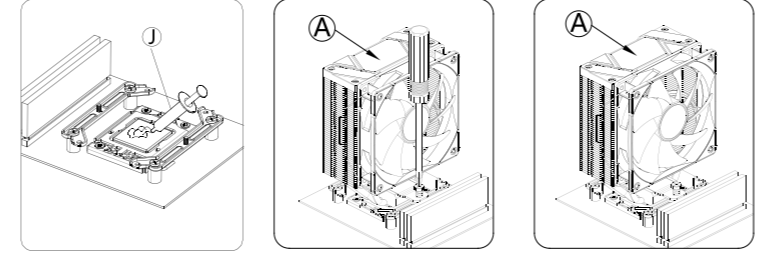


涂好导热膏,然后先锁好散热器。

INTEL LGA115X/1200

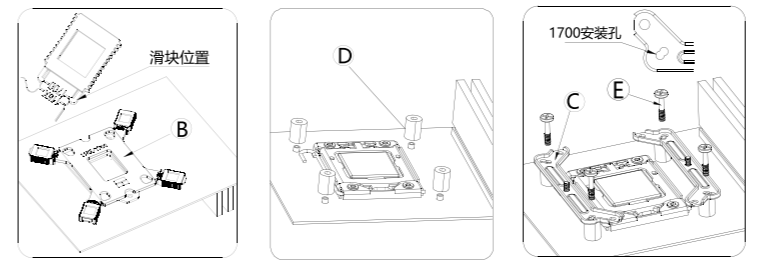


将背板【B】推到115X位置放置在主板背面,然后正面放置胶柱【G】,扣具【C】,再用螺丝【E】固定住扣具。

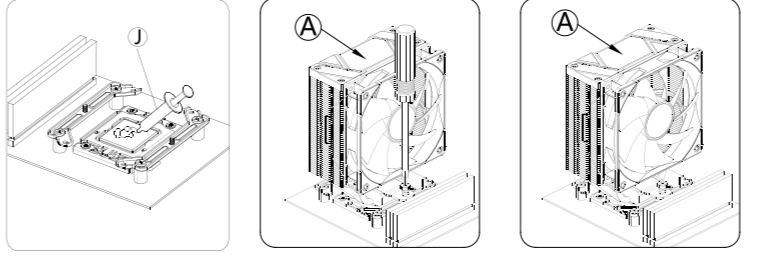


涂好导热膏,然后先锁好散热器。

INTEL LGA1700/1851

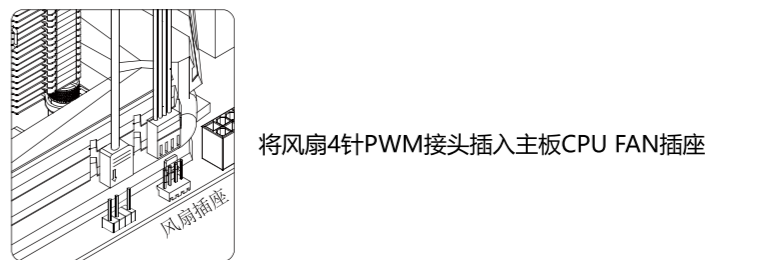


将背板【B】推到1700位置放置在主板背面,然后正面放置胶柱【D】,扣具【C】,再用螺丝【E】固定住扣具。

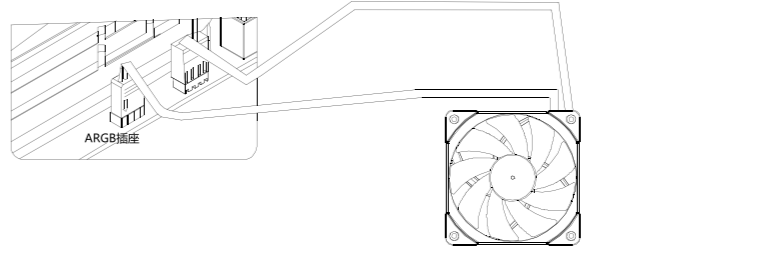


涂好导热膏,然后先锁好散热器。

风扇接线

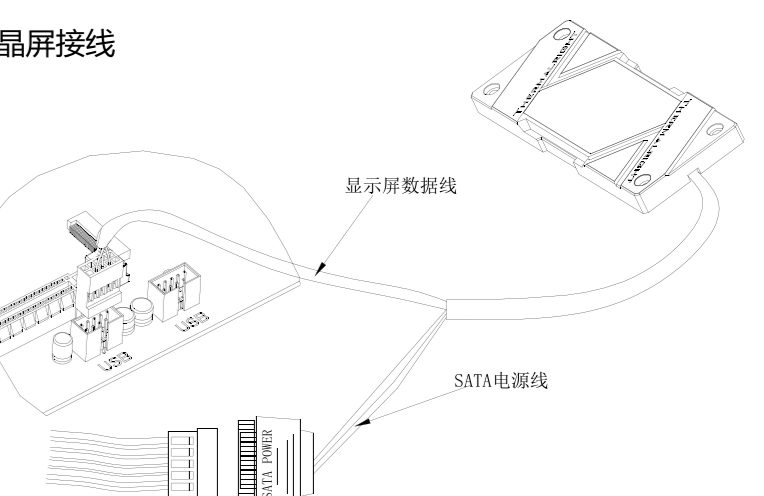


将风扇4针PWM接头插入主板CPU FAN插座




如果风扇有ARGB灯效, 请将ARGB 3针(5V) 插入主板对应ARGB灯效插座或者控制器。

液晶屏接线



1.液晶屏的供电由电源SATA接口, 数据通信传输由主板9针USB接口提供。
2.软件安装前请确认接线完整
3.软件可在官网下载:
<https://www.thermalright.com/support/download/>
解压并双击安装程序安装
4.桌面双击软件快捷方式图标运行软件
5.本液晶屏的实时数据监控/数据传输/开启关闭等功能均由软件控制。安装完成默认随电脑开机启动, 并在任务栏常驻后台, 请勿关闭/强制退出。



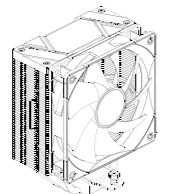
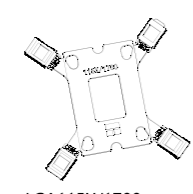
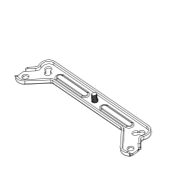



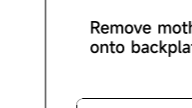


INSTALLATION GUIDE

Assassin Spirit 120 VISION Series

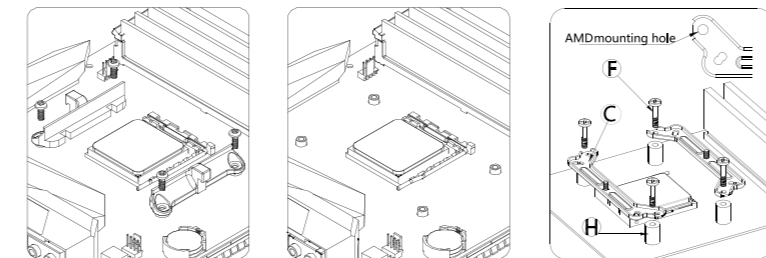
Please remove protective sticker before install

www.thermalright.com

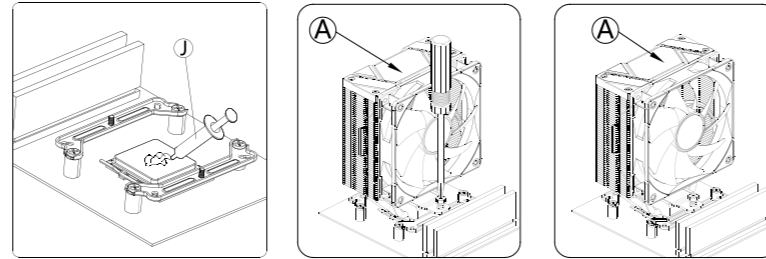
parts list

 A Heatsink x1	 B LGA115X/1700 Backplate x1	 C Intel/AMD Bracket x2	
 D LGA1700 Spacers x4	 E INTEL Screw x4	 F AM4/AM5 Screw x4	 G LGA115X/1200 Spacers x4
 H AM4/AM5 Spacers x4	 J Thermal Paste x1		

AMD AM4/AM5

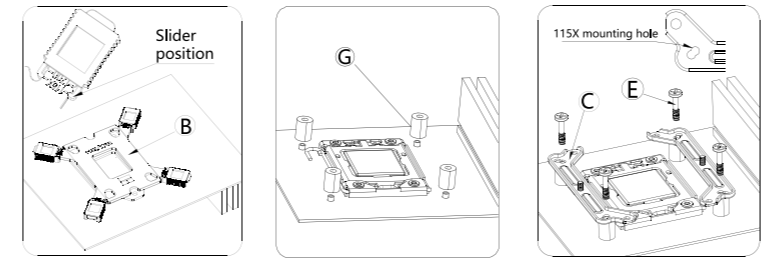


Remove motherboard stock plastic brackets, keep the stock backplate, put AM4 plastic spacers onto backplate screw threads. Then fix both brackets on spacers using AMD screws.

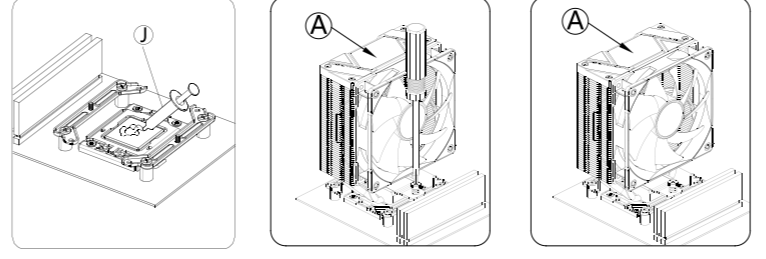


Apply thermal paste on CPU IHS, put heatsink onto the CPU and align both nuts to screw threads on brackets. Gently tighten both nuts with screw driver to mount heatsink on CPU.

INTEL LGA115X/1200

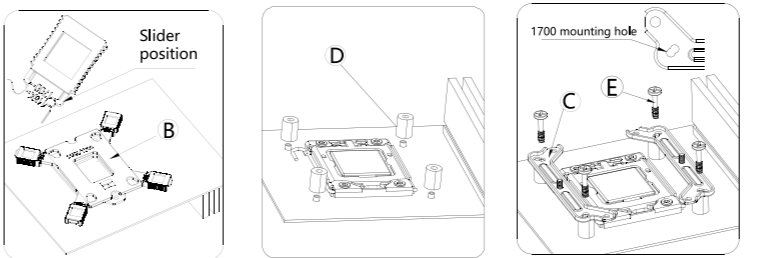


Push slider on backplate to 115X hole position. Install backplate from back side of motherboard. Put 115X/1200 spacers onto backplate screw threads, then fix both brackets on spacers with intel screws.

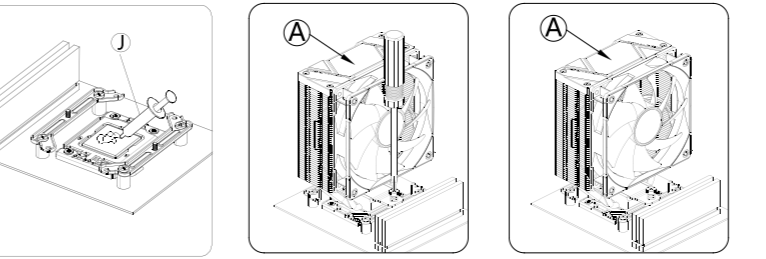


Apply thermal paste on CPU IHS, put heatsink onto the CPU and align both nuts to screw threads on brackets. Gently tighten both nuts with screw driver to mount heatsink on CPU.

INTEL LGA1700/1851

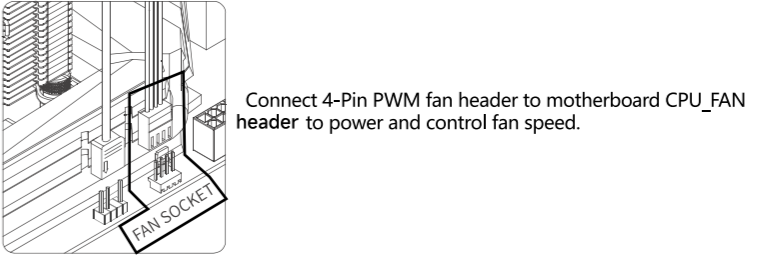


Pull slider on backplate to 1700 hole position. Install backplate from back side of motherboard. Put 1700 spacers onto backplate screw threads, then fix both brackets on spacers with intel screws.

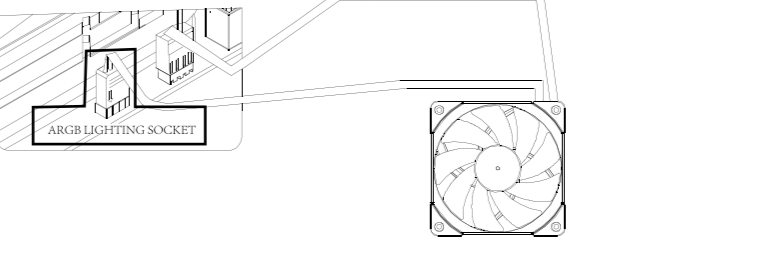


Apply thermal paste on CPU IHS, put heatsink onto the CPU and align both nuts to screw threads on brackets. Gently tighten both nuts with screw driver to mount heatsink on CPU.

Fan Wiring

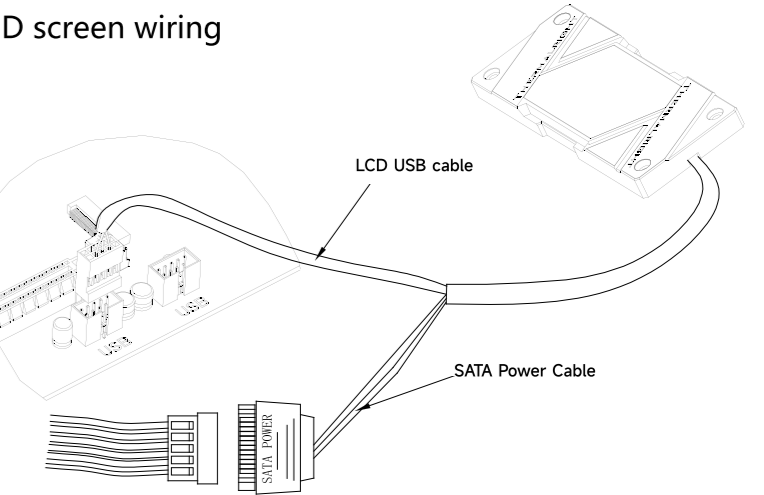


Connect 4-Pin PWM fan header to motherboard CPU_FAN header to power and control fan speed.



For Fans with Addressable-RGB lighting, connect 3-Pin ARGB lighting header to motherboard 3-Pin +5V ARGB lighting header to control lighting effect.

LCD screen wiring



1.LCD is powered by connecting SATA power connector. Data is transmitted by motherboard USB connector. Please confirm proper connection before software install.
2.Download TRCC at: <https://www.thermalright.com/support/download/>
Unzip setup file and start install by double click setup.
3.After install completed, double click shortcut icon on desktop to run software.
4.All functions on LCD are controlled by software, and software will auto start at OS boot. Please do not exit the program.