



INTRODUCTION

Thank you for choosing the Magnum Gear NEO Qube 2. This manual will walk you through the installation process and provides an overview of all the features, clearances and accessories that the NEO Qube 2 provides.

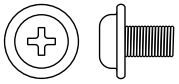
This manual is intended for:

- NEO | Qube 2
- NEO | Qube 2 IM

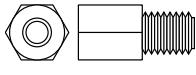
If you have any questions, suggestions or require customer service, please check our website www.magnum-gear.com or contact us through support@magnum-gear.com



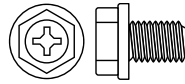
INCLUDED ACCESSORIES



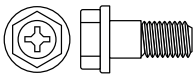
33x
SSD & Motherboard
Screw



5x
Motherboard Stand-off



4x
PSU Screw

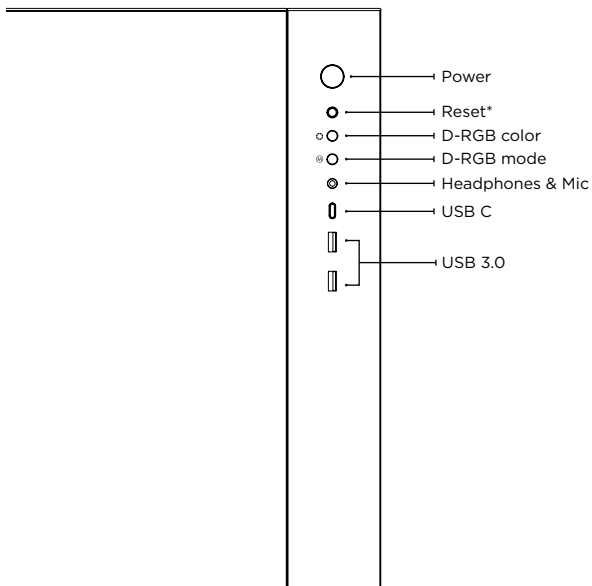


8x
HDD Screw



6x
Zip Ties

FRONT I/O



* Becomes power button for dual-system, see DUAL-SYSTEM section for more information.

FAN & RADIATOR SUPPORT

FANS	SIDE	TOP	BOTTOM
120mm	3x	3x	3x
140mm	-	2x	2x

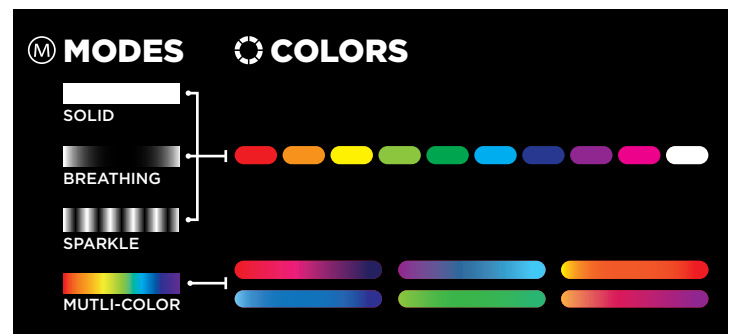
RADIATOR

120mm	up to 360 mm	up to 360 mm	up to 360 mm
140mm	-	up to 280 mm	-

CLEARANCE

CPU cooler height	148 mm
GPU length	410 mm
Side Radiator	128x400x50 mm
Top Radiator	140x430x75 mm
Bottom Radiator	130x410 mm
Power supply length	275 mm
E-ATX Motherboard	Up to 280 mm wide

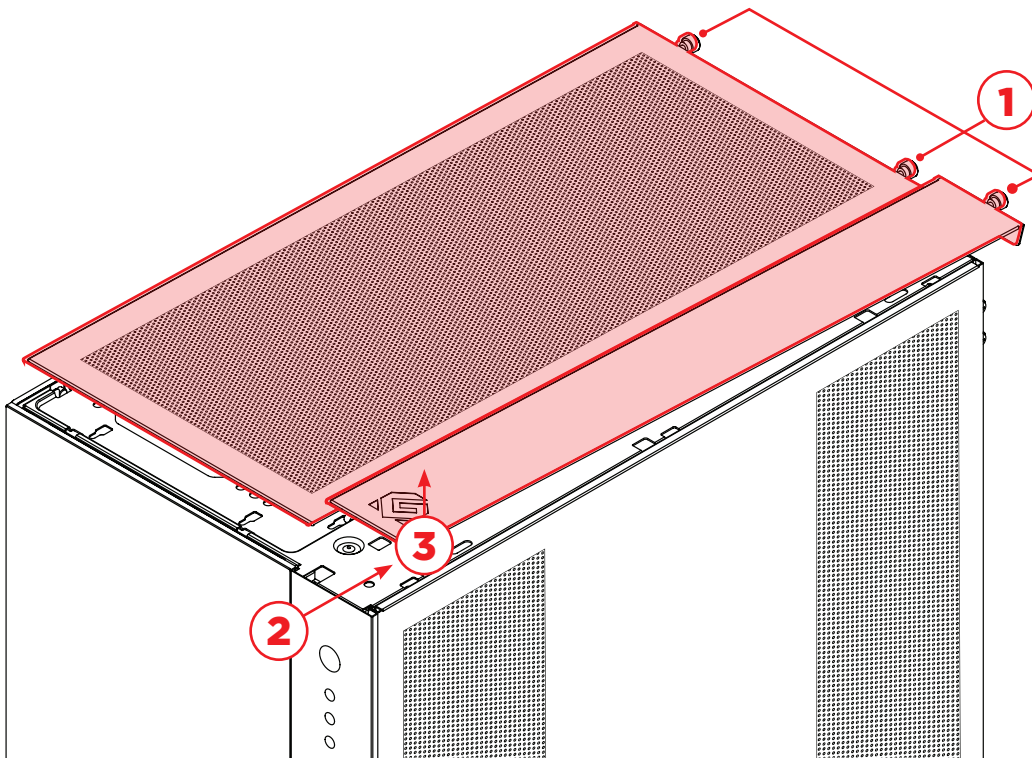
D-RGB CONTROLS



TURN OFF LEDs (M) Press and hold the **MODE** button for two seconds to turn off LEDs, press again to turn it ON

NOTE | D-RGB control buttons are deactivated if connected to a motherboard.

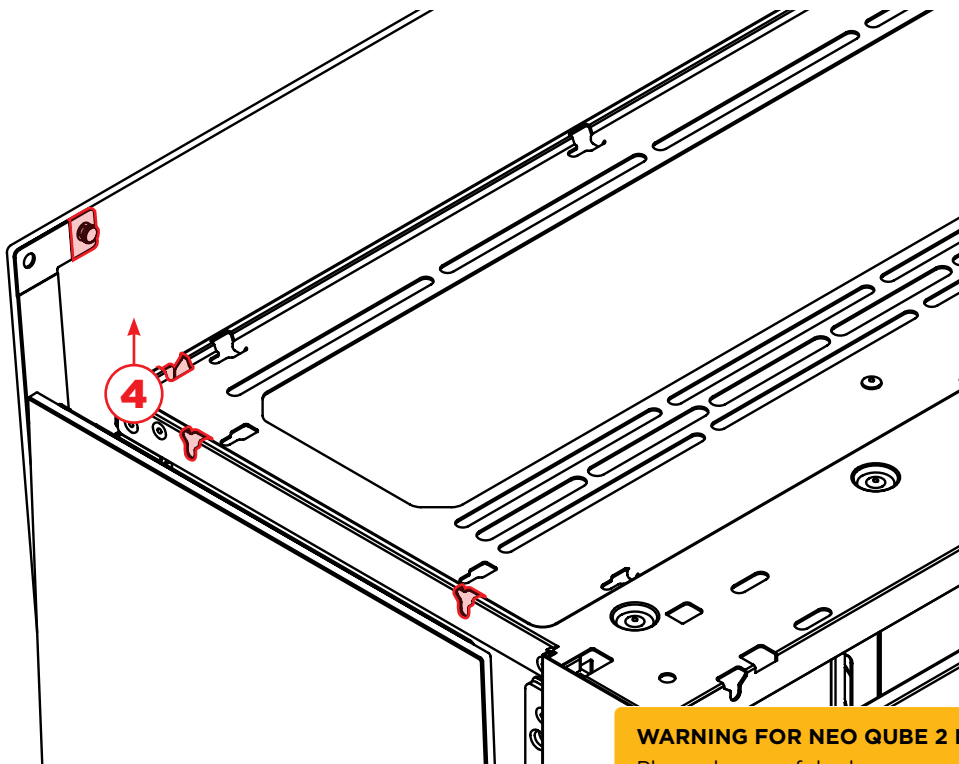
01 REMOVING CHASSIS PANELS



Remove the top panels by loosening the thumb screws located at the rear. (1)

Slide each panel to the rear (2) before lifting it upwards (3) to fully remove it. Do this for both top panels.

02 REMOVING SIDE & FRONT PANELS



Lift the side/front panel upwards (4) before pulling it away from the chassis.

Both side and front panels are removed in the same way.

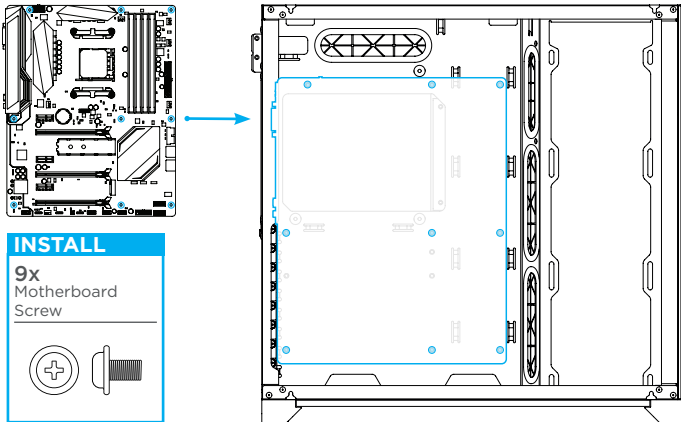
WARNING FOR NEO QUBE 2 IM

Please be careful when removing the front panel, the infinity mirror coating is sensitive to fingerprints and not easy to clean.



03 MOTHERBOARD

With all the panels removed, there is enough room to place all of your components. We'll first start with the motherboard.

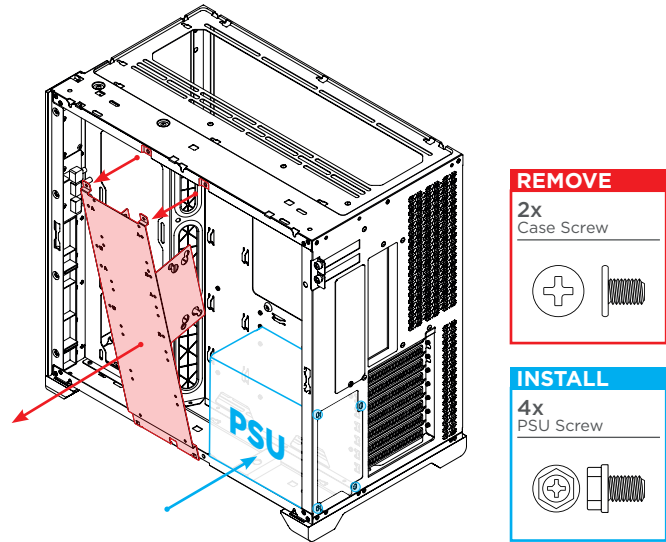


Supported Motherboard form-factors are:
Mini-ITX | Micro-ATX* | ATX | E-ATX (up to 280mm wide)

**For Micro-ATX Motherboards, please re-position the stand-offs according to the motherboards' manual.*

04 POWER SUPPLY

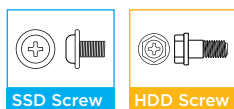
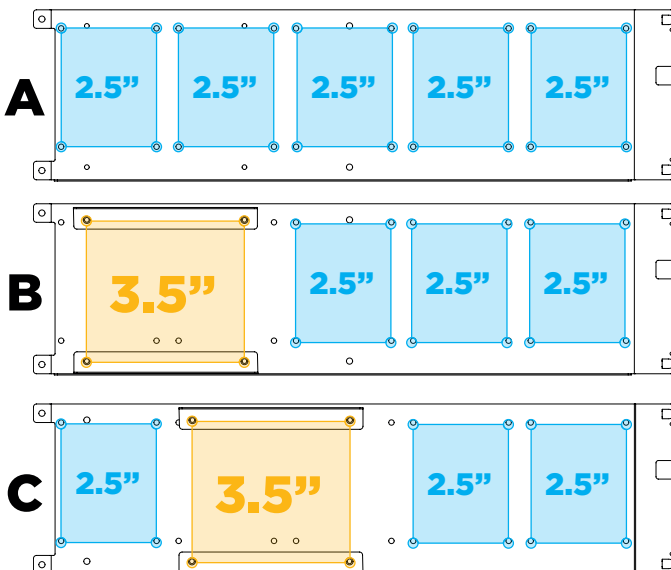
Remove the storage bracket before installing the power supply. The power supply is then secured with 4x PSU screws.



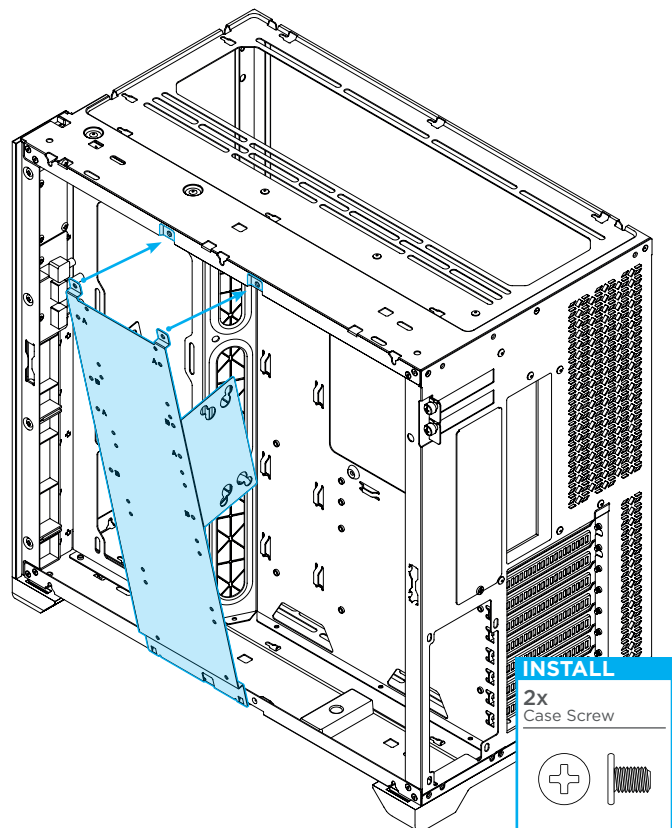
05 STORAGE INSTALLATION

The HDD brackets can be positioned as shown in option B and C or removed to allow for 5x 2.5" SSDs as option A.

There are different configurations possible with the storage bracket. Below you see the configurations as, A, B or C. Use the provided SSD and/or HDD screws.



Use the SSD screws to install the 2.5" SSD's. The 3.5" HDD can be installed with the HDD screws.

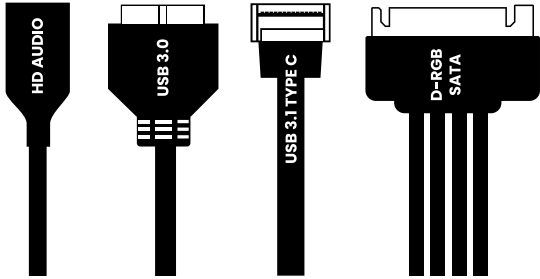
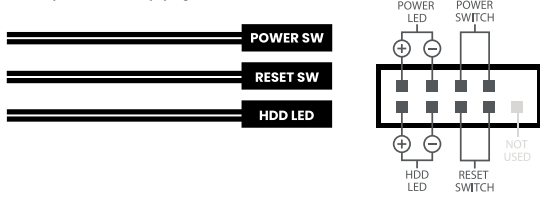


After the drives have been installed, place back the storage bracket onto the chassis and secure with 2x case screws.

06 I/O CABLES

MOTHERBOARD FRONT I/O HEADER DIAGRAM

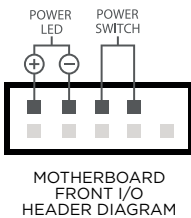
The front I/O cables can now be connected to the motherboard and power supply.



DUAL-SYSTEM

OPTIONAL | Only applicable when installing a dual-system into the NEO Qube 2.

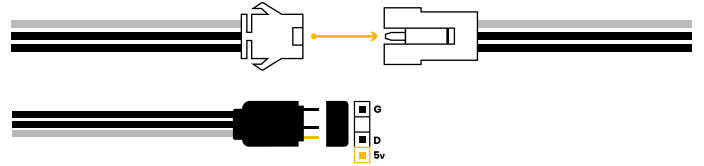
- 01 The PHANTEKS REVOLT X PSU is required for a Dual-System.
- 02 Install 4x Motherboard Stand-offs.
- 03 Secure the Mini-ITX Motherboard with 4x Motherboard Screws.
- 04 Install a half-height PCIe device (optional).
- 05 Connect the Reset Switch & HDD LED connectors to the motherboard front I/O header as Power Switch and Power LED headers.



D-RGB CABLES

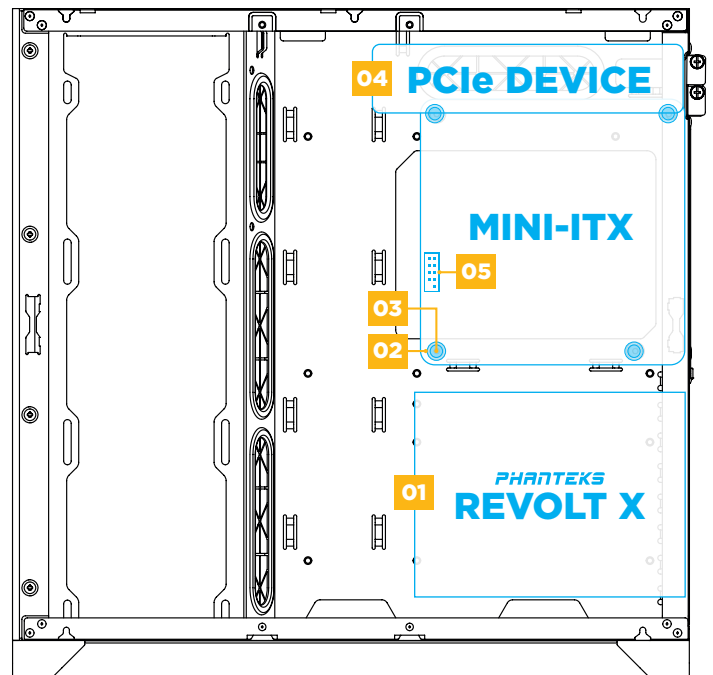
EXPAND WITH MORE D-RGB PRODUCTS

The integrated lighting can be expanded with more lighting products using the two available connectors.



CONTROL LIGHTING FROM THE MOTHERBOARD

Additionally, the lighting can be controlled from a compatible motherboard.



INSTALL
4x Motherboard Screw

INSTALL
4x Motherboard Stand-off