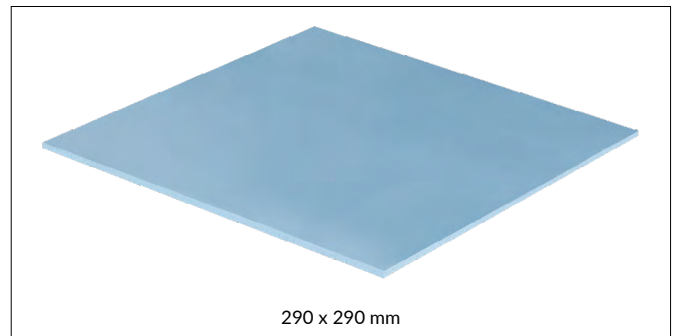
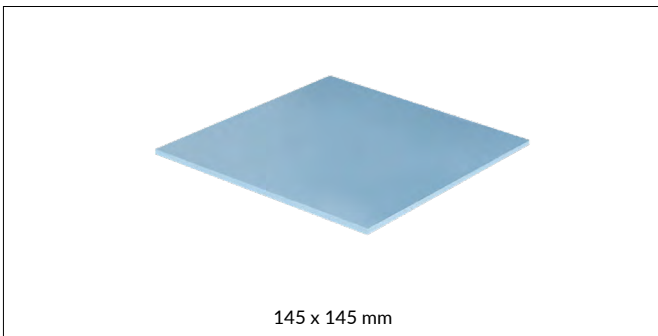
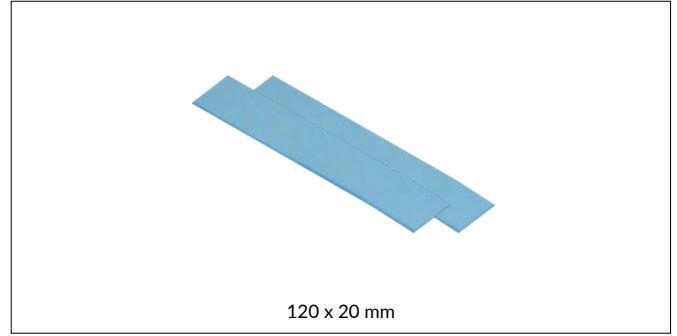
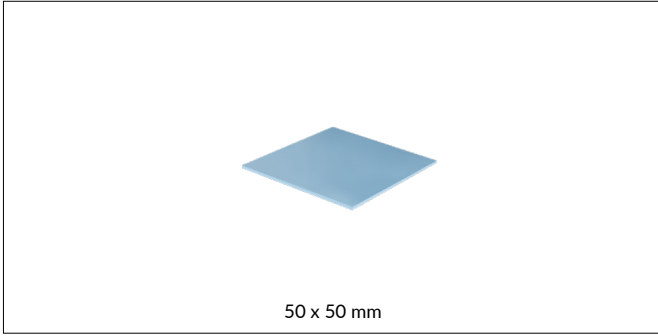


TP-2 (APT2560)



Economic Thermal Pad



General Specifications

Colour	Blue
Hardness	80 Shore OO
Continuous Use Temperature	-40~200°C
Specific Gravity	3.2 g/cm ³

Tensile Strength	35.56 psi
Dielectric Constant @1MHz	13.03@ 1MHz
Volume Resistance	1 x 10 ¹² Ω-cm
Flammability	UL94 V-0

Shipping Information

50 x 50 mm, 1 mm

Box Dimension	80 (L) x 62 (W) x 1.5 (H) mm
Gross Weight	12 g
SKU	ACTPD00002A
EAN	4895213700580
UPC	87276700764-2

120 x 20 mm, 0.5 mm, 2 Pack

Box Dimension	150 (L) x 45 (W) x 2 (H) mm
Gross Weight	12 g
SKU	ACTPD00012A
EAN	4895213702119
UPC	84003340000-8

120 x 20 mm, 1 mm, 2 Pack

Box Dimension	120 (L) x 20 (W) x 3 (H) mm
Gross Weight	21 g
SKU	ACTPD00013A
EAN	4895213702126
UPC	84003340001-5

120 x 20 mm, 1 mm

Box Dimension	150 (L) x 45 (W) x 2 (H) mm
Gross Weight	13 g
SKU	ACTPD00010A
EAN	4895213702126
UPC	84003340001-5

TP-2 (APT2560)

Economic Thermal Pad



Shipping Information

145 x 145 mm, 0.5 mm

Box Dimension	169 (L) x 164 (W) x 1.5 (H) mm
Gross Weight	52 g
SKU	ACTPD00004A
EAN	4895213700597
UPC	87276700766-6

290 x 290 mm, 0.5 mm

Box Dimension	320 (L) x 315 (W) x 1.5 (H) mm
Gross Weight	220 g
SKU	ACTPD00017A
EAN	4895213702300
UPC	84003340019-0

145 x 145 mm, 1.5 mm

Box Dimension	169 (L) x 164 (W) x 2.5 (H) mm
Gross Weight	114 g
SKU	ACTPD00006A
EAN	4895213700610
UPC	87276700768-0

290 x 290 mm, 1 mm

Box Dimension	320 (L) x 315 (W) x 2 (H) mm
Gross Weight	348 g
SKU	ACTPD00018A
EAN	4895213702317
UPC	84003340020-6



All materials are compatible with RoHS requirements.

MORE INFORMATION



MANUAL

