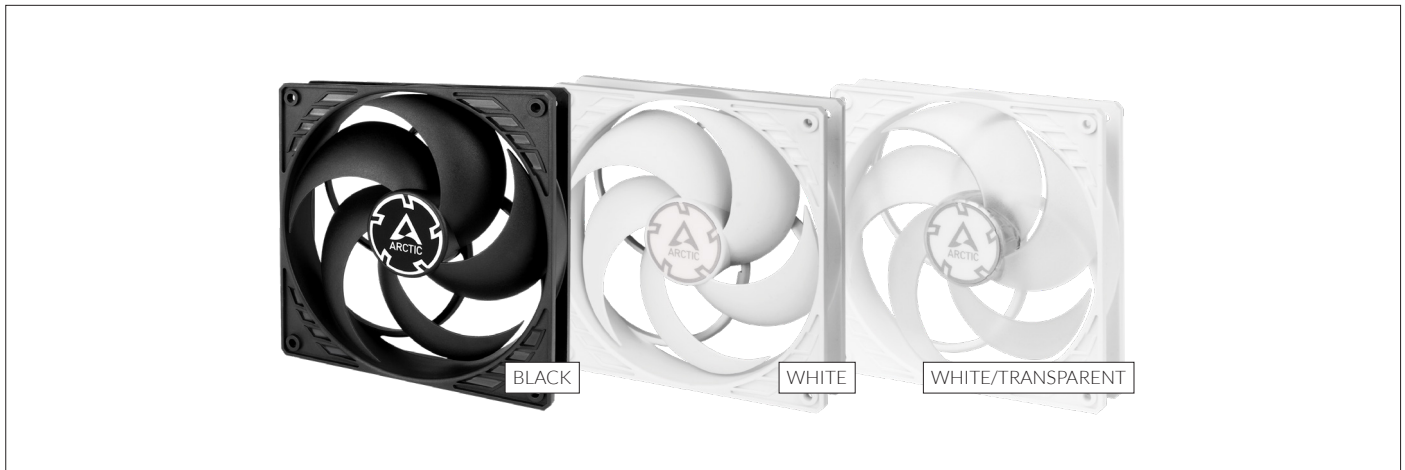


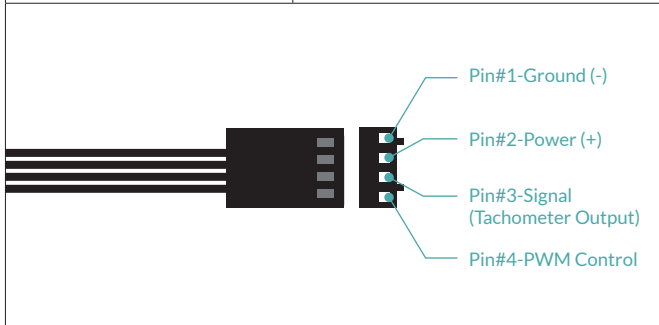
# P14 PWM

140 mm PWM Case Fan



## Fan Specifications

Dimensions	140 (L) x 140 (W) x 27 (H) mm
Weight	194 g
Speed	200-1700 rpm, 0 rpm <5% PWM
rpm Control	Pulse Width Modulation - PWM
Static Pressure	2.4 mm H <sub>2</sub> O
Airflow	72.8 cfm   123.80 m <sup>3</sup> /h
Bearing	Fluid Dynamic Bearing
Cable Length	400 mm
Connector	4-Pin Connector
Current/Voltage	0,12 A/12 V
Starting Voltage	3.9 V
Noise Level	0.3 Sone
Ambient Operating Temperature	0-40 °C



## Shipping Information Single Fan - Black

Dimensions	143 (L) x 143 (W) x 29 (H) mm
Weight	233 g
SKU	ACFAN00124A
EAN	4895213701556
UPC	872767009493
Package Content	P14 PWM x1 Mounting Screws x4

## Shipping Information Single Fan - White

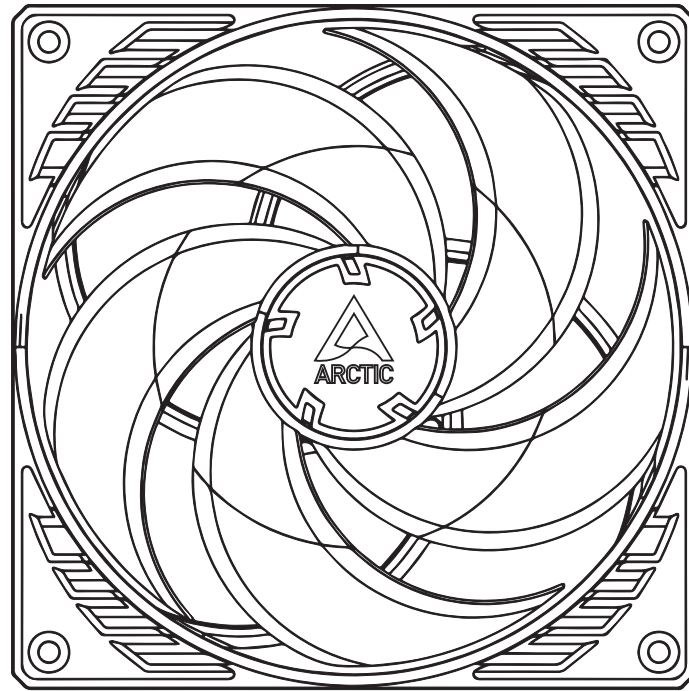
Dimensions	143 (L) x 143 (W) x 29 (H) mm
Weight	233 g
SKU	ACFAN00222A
EAN	4895213703093
UPC	840033400893
Package Content	P14 PWM x1 Mounting Screws x4

## Shipping Information Single Fan - White/Transparent

Dimensions	143 (L) x 143 (W) x 29 (H) mm
Weight	233 g
SKU	ACFAN00223A
EAN	4895213703109
UPC	840033400909
Package Content	P14 PWM x1 Mounting Screws x4

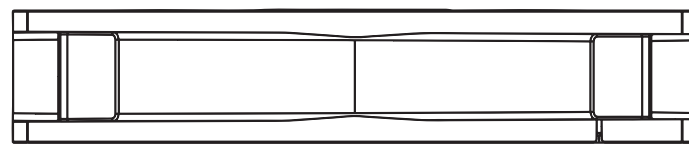
# P14 PWM

140 mm PWM Case Fan



140 mm

140 mm



27 mm

All materials are compatible with RoHS requirements



Product Information



Manual