

Thermaltake Commander C31 TG ARGB Middle tower

- **Style : Gaming**

- **Size : Middle tower support up to ATX MB**

- **Material : Steel & Plastic & Tempered Glass**

- **Main Feature**

- **Connection : Top-Front I/O ports with 2 x USB 3.0**

- **Ventilation : 2 preinstalled 200mm ARGB fans + 1 preinstalled 120mm fan**

- **Support : LCS Cooling & Advance Cable Management**



Thermaltake Commander C31 TG ARGB Middle tower

•Specification

Model	Commander C31 TG ARGB	Commander C31 TG Snow ARGB
P/N	CA-1N2-00M1WN-00	CA-1N2-00M6WN-00
Case Type	Middle tower	
Chassis Dimension (H*W*D)	462 x 233 x 507 mm (18.2 x 9.2 x 20 inch)	
Net Weight(Case)	8.01 kg / 17.66 lb	
Side Panel	4mm Tempered Glass x1	
Color	Exterior & Interior : Black	Exterior & Interior : White
Material	SPCC	
Cooling System	Rear (exhaust) : 120 x 120 x 25 mm fan (1000rpm, 16 dBA) Front (intake) : 200 x 200 x 30 mm ARGB fan x2 (800rpm, 29.2 dBA)	
Drive Bays		
-Accessible	-	
-Hidden	3 x 3.5" or 2.5" (HDD Bracket); 2 x 2.5" (HDD Bracket)	
Expansion Slots	7 + 2	
Motherboards	6.7" x 6.7" (Mini ITX), 9.6" x 9.6" (Micro ATX), 12" x 9.6" (ATX)	
I/O Port	USB 3.0 x 2, HD Audio x 1, RGB Switch x 1	
PSU	Standard PS2 PSU (optional)	
Fan Support	Front: 3 x 120mm, 2 x 140mm, 2 x 200mm Top: 2 x 120mm, 2 x 140mm Rear: 1 x 120mm, 1 x 140mm	
Radiator Support	Front: 1 x 360mm, 1 x 280mm Top: 1 x 240mm, 1 x 280mm Rear: 1 x 120mm	
Clearance	CPU cooler height limitation: 180mm PSU length limitation: 200mm VGA length limitation: 310mm(With reservoir) 410mm(Without reservoir) VGA width limitation(Vertically): 45mm VGA height limitation: 110mm RAM height limitation: 35mm (With 140mm radiator series) 50mm (With 120mm radiator series)	

Thermaltake Commander C31 TG ARGB Middle tower

•Packaging



Package Information	Commander C31 TG ARGB	Commander C31 TG Snow ARGB
EAN Code	4713227520485	4713227520492
UPC Code	841163070499	841163070505
N.W	8.01 kg / 17.66 lb	
G.W	9.57 kg / 21.1 lb	
Carton Size (L x W x H)	535 x 310 x 590 mm (21.1 x 12.2 x 23.2 inch)	
Cuft	3.46	
Container	With pallet	W/O pallet
20'	200	233
40'	440	466
40' HQ	526	640

Thermaltake Commander C31 TG ARGB Middle tower

Appearance - CA-1N2-00M1WN-00



Angle view



Left Side view



Front view



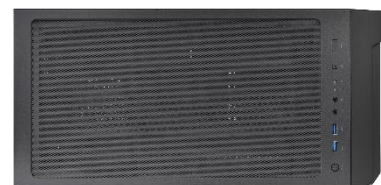
Right Side view



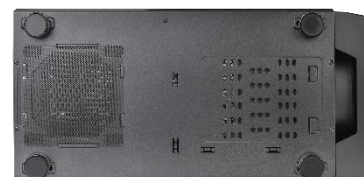
Internal Structure



Rear view



Top view



Bottom view

Thermaltake Commander C31 TG ARGB Middle tower

Appearance - CA-1N2-00M6WN-00



Angle view



Left Side view



Front view



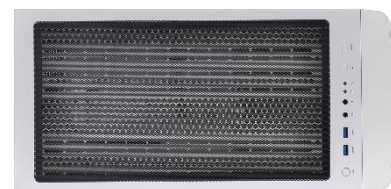
Right Side view



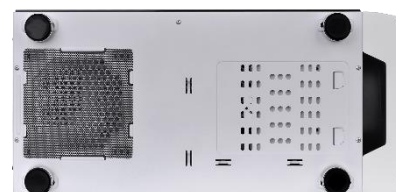
Internal Structure



Rear view



Top view



Bottom view

Thermaltake Commander C31 TG ARGB Middle tower

- HDD expansion introduction



HDD Bracket

Thermaltake Commander C31 TG ARGB Middle tower

- HDD expansion introduction



Application

Thermaltake Commander C31 TG ARGB Middle tower

- HDD expansion introduction



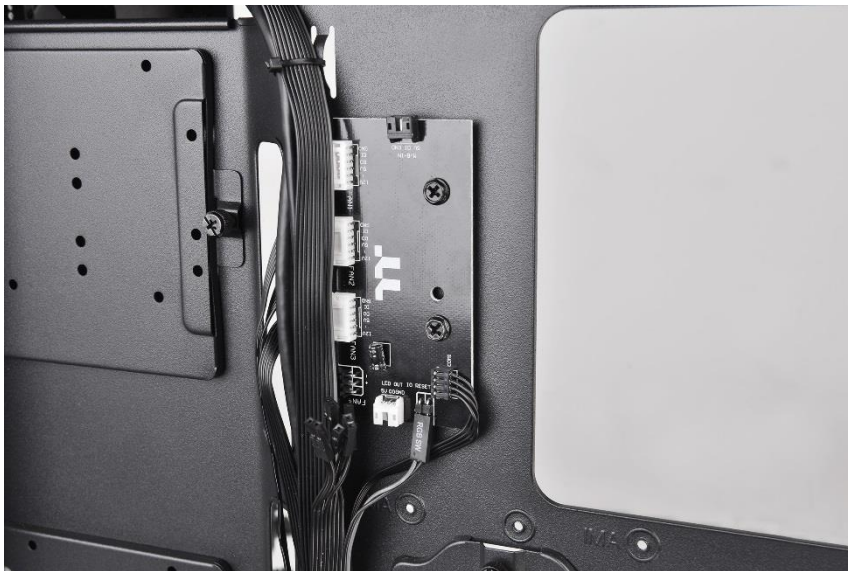
Application

Thermaltake Commander C31 TG ARGB Middle tower

- RGB Switch Mode



External RGB switch (Front panel)



Built-in ARGB controller board

Thermaltake Commander C31 TG ARGB Middle tower

•RGB Switch Mode



External RGB switch (Front panel)

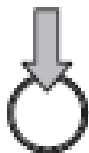


Built-in ARGB controller board

Thermaltake Commander C31 TG ARGB Middle tower

•RGB Switch Mode

I/O Port



RGB



USB 3.0



USB 3.0



○



○



○



○



○



○

Wave Mode

Mode 1

Flow Mode

Mode 2

RGB Lighting

Mode 3 (Single Color)

Radar Mode

Mode 4~10

(Red, Yellow, Green, Cyan, Blue, White, Purple)

Breath Mode

Mode 11~18

(Red, Yellow, Green, Cyan, Blue, White, Purple)

Full Lighted Mode

Mode 19

Single Color

Mode 20~26

(Red, Yellow, Green, Cyan, Blue, White, Purple)

Light Off

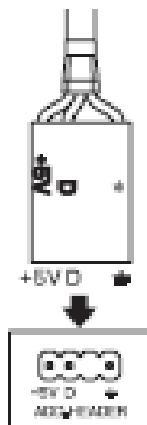
Mode 27

※ Long press on RGB button for 3 seconds, fan will blink twice which now are controlled by MB software. And vice versa.

How to connect MB

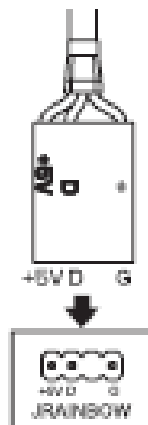
ASUS

Aura Addressable Strip Header(s)



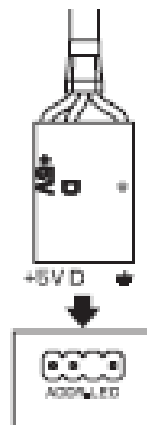
MSI

JRGB-strip Header (S)



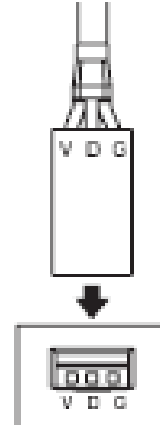
ASROCK

Addressable RGB LED Header(s)



GIGABYTE

AORUS RGB Fusion with Digital LEDs



- MB RGB header

Sync with Motherboard RGB Software

Designed to synchronize with ASUS Aura Sync, GIGABYTE RGB Fusion, MSI Mystic Light Sync and AsRock Polychrome. It supports motherboards that have a 5V addressable RGB header, allowing you to control the lights directly from the above-mentioned software without installing any extra lighting software or controllers. For more details, please visit ASUS, GIGABYTE, MSI and AsRock official websites.



Aura Addressable Header

ASUS



Digital Pin Header

GIGABYTE



JRAINBOW Header

MSI



Addressable RGB LED Header

ASRock

***Caution: the motherboard signal connector only supports 5V header.**

Thermaltake Commander C31 TG ARGB Middle tower

- The Cooling System – AIO Liquid Cooling (Optional)



A CPU Air Cooling System

① Rear (exhaust) : 120 x 120 x 25 mm ARGB fan x 1 (1000rpm, 16dBA)

B HDD Air Cooling System

① Front (intake) : 200 x 200 x 30 mm ARGB fan x 2 (800rpm, 29.2 dBA)

Thermaltake Commander C31 TG ARGB Middle tower

- The Cooling System – AIO Liquid Cooling (Optional)



A CPU Air Cooling System

① Rear (exhaust) : 120 x 120 x 25 mm ARGB fan x 1 (1000rpm, 16dBA)

B HDD Air Cooling System

① Front (intake) : 200 x 200 x 30 mm ARGB fan x 2 (800rpm, 29.2 dBA)

Thermaltake Commander C31 TG ARGB Middle tower

• The Cooling System – DIY Liquid Cooling (Optional)



A CPU Air Cooling System

- ① Rear (exhaust) : 120 x 120 x 25 mm ARGB fan x 1 (1000rpm, 16dBA)

B HDD Air Cooling System

- ① Front (intake) : 200 x 200 x 30 mm ARGB fan x 2 (800rpm, 29.2 dBA)

Thermaltake Commander C31 TG ARGB Middle tower

• The Cooling System – DIY Liquid Cooling (Optional)



A CPU Air Cooling System

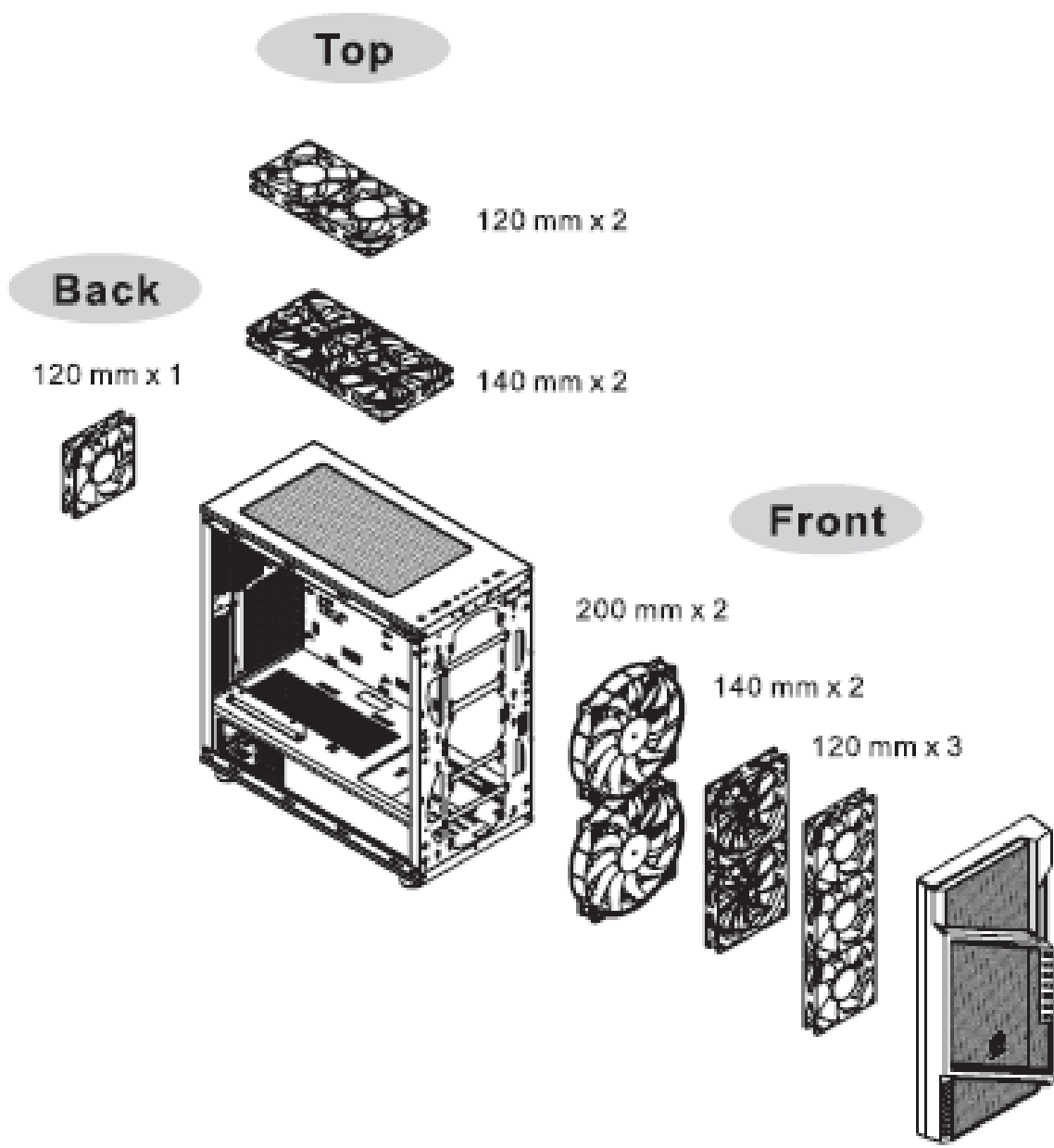
① Rear (exhaust) : 120 x 120 x 25 mm ARGB fan x 1 (1000rpm, 16dBA)

B HDD Air Cooling System

① Front (intake) : 200 x 200 x 30 mm ARGB fan x 2 (800rpm, 29.2 dBA)

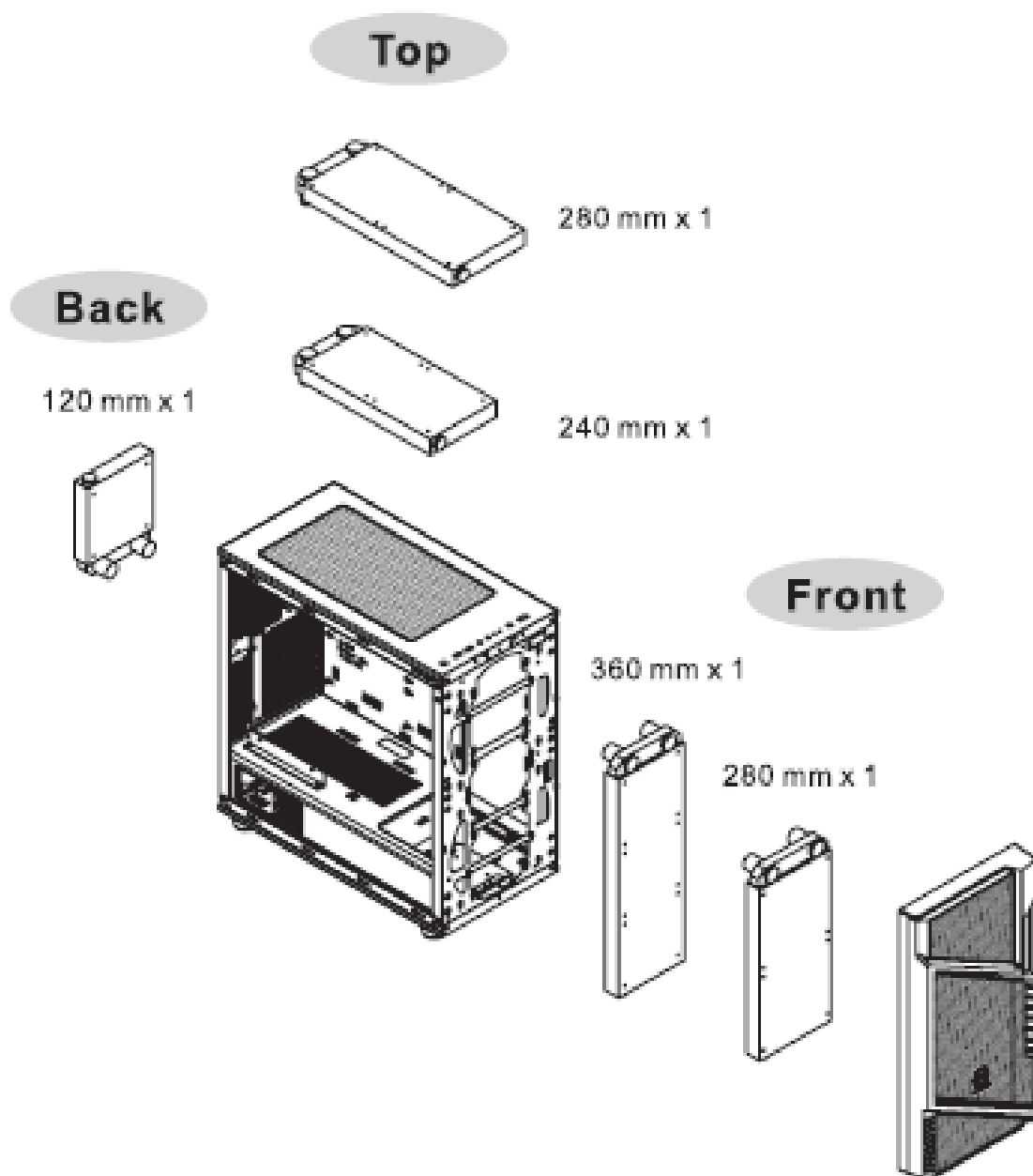
Thermaltake Commander C31 TG ARGB Middle tower

• Fan compatibility



• Radiator compatibility

⌘ The radiator is applicable up to 40 mm high



Thermaltake Commander C31 TG ARGB Middle tower

• Compatibility List

Fan Compatibility List			
	120mm	140mm	200mm
Front	3	2	2
Top	2	2	-
Rear	1	-	-

Thermaltake Compatible Fan			
	120mm	140mm	200mm
PURE FAN Series	●	●	●
LUNA FAN Series	●	●	●
Riing FAN Series	●	●	●

Radiator Compatibility List						
	120mm	240mm	360mm	140mm	280mm	420mm
Front	●	●	●	●	●	-
Top	●	●	-	●	●	-
Rear	●	-	-	-	-	-

All-in-One Compatibility List (Water 3.0 and Floe series)

	Performer	Pro	240 Series	360 Series	140 Series	280 Series
Front	●	●	●	●	●	●
Top	●	●	●	-	●	●
Rear	●	●	-	-	-	-