

- **Style: Simple**
- **Size: Mid Tower supports up to ATX MB**
- **Material: Steel & Tempered Glass**

### Main Features

- **Connection** : Front I/O ports with 2 x USB 3.0
- **Ventilation** : 3 preinstalled 120mm ARGB Lite fans at front
- **Support** : Supports AIO cooling solutions



## Specification

Model	S200 TG ARGB	S200 TG ARGB Snow
P/N	CA-1X2-00M1WN-00	CA-1X2-00M6WN-00
Case Type	Mid Tower	
Chassis Dimension (H*W*D)	460x 210 x 395.3 mm (18.11 x 8.27 x 15.56 inch)	
Net Weight	4.8 kg / 10.6 lbs.	
Panel	3mm Tempered Glass x 1	
Color	Black	White
Material	SPCC	
Cooling System	<b>Front(intake):</b> 120 x 120 x 25 mm ARGB Lite fan (1000rpm, 22.3 dBA) x 3	
Drive Bays	2 x 3.5", 2 x 2.5" or 1 x 3.5", 3 x 2.5"	
Expansion Slots	7	
Motherboards	6.7" x 6.7" (Mini ITX), 9.6" x 9.6" (Micro ATX), 12" x 9.6" (ATX)	
I/O Port	USB 3.0 x 2, HD Audio x 1	
PSU	Standard PS2 PSU ( <b>optional</b> )	
Fan Support	<b>Front:</b> 3 x 120mm, 2 x 120mm, 1 x 120mm 2 x 140mm, 1 x 140mm <b>Top:</b> 2 x 120mm, 1 x 120mm 2 x 140mm, 1 x 140mm <b>Rear:</b> 1 x 120mm	
Radiator Support	<b>Front:</b> 1 x 360mm, 1 x 240mm, 1 x 120mm 1 x 280mm, 1 x 140mm <b>Top:</b> 1 x 240mm, 1 x 120mm <b>Rear:</b> 1 x 120mm	
Clearance	<b>CPU cooler max height:</b> 166mm <b>VGA max length:</b> 300mm (with radiator) 330mm (without radiator) <b>PSU max length:</b> 190mm (with HDD Cage)	

## Packaging

Package Information	S200 TG ARGB	S200 TG ARGB Snow
EAN Code	4713227533645	4713227533652
UPC Code	841163083659	841163083666
N.W	4.8 kg / 10.6 lbs.	
G.W	5.8 kg / 12.8 lbs.	
Carton Size (L x W x H)	510 x 267 x 440 mm / 20.1 x 10.5 x 17.3 inch	
Cuft	2.11	
Container	w/o pallet	
20'	1154 pcs	
40'	1027 pcs	
40' HQ	511 pcs	



## Appearance – Black version



Angle view



Left Side view



Front view



Right Side view



Internal Structure



Rear view



Top view



Bottom view



# Thermaltake S200 TG ARGB Mid Tower Chassis

## Appearance – Snow version

Angle view

Left Side view

Front view

Right Side view

Top view

Internal Structure

Rear view

Bottom view



# Thermaltake S200 TG ARGB Mid Tower Chassis

Clearance



Maximum support up to 120mm fan x 6

Maximum radiator support up to 360mm at front

## Structure (External)



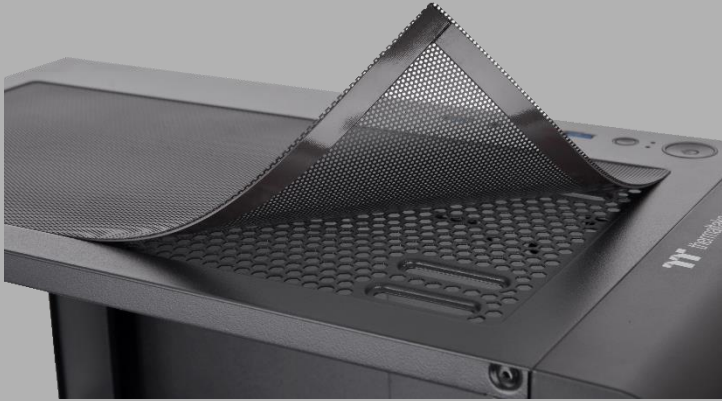
**USB 3.0 x 2**

**HD Audio**



**3mm Tempered Glass Window**

## Structure (Internal)



Top filter

Full length power cover





## Pre-installed ARGB Fans



Pre-installed three hydraulic bearing 120mm ARGB **Lite** front fans which can effectively lower the operation noise and enhance the thermal efficiency.



SPEC for Case ARGB **Lite** fans

-Fan Speed: 1000 +/- 200 RPM

-Fan Airflow: 35.25 CFM

-Fan Air Pressure: 0.54 mm-H<sub>2</sub>O

-Fan Noise Level: 22.3 dBA

-Fan Bearing: Hydraulic bearing



## ARGB lighting Control Instruction

### ARGB Control Instruction – How to connect MB

#### ASUS/ASRock/BIOSTAR

Aura Addressable Strip Header(s)



#### MSI

JRGB-strip Header(S)



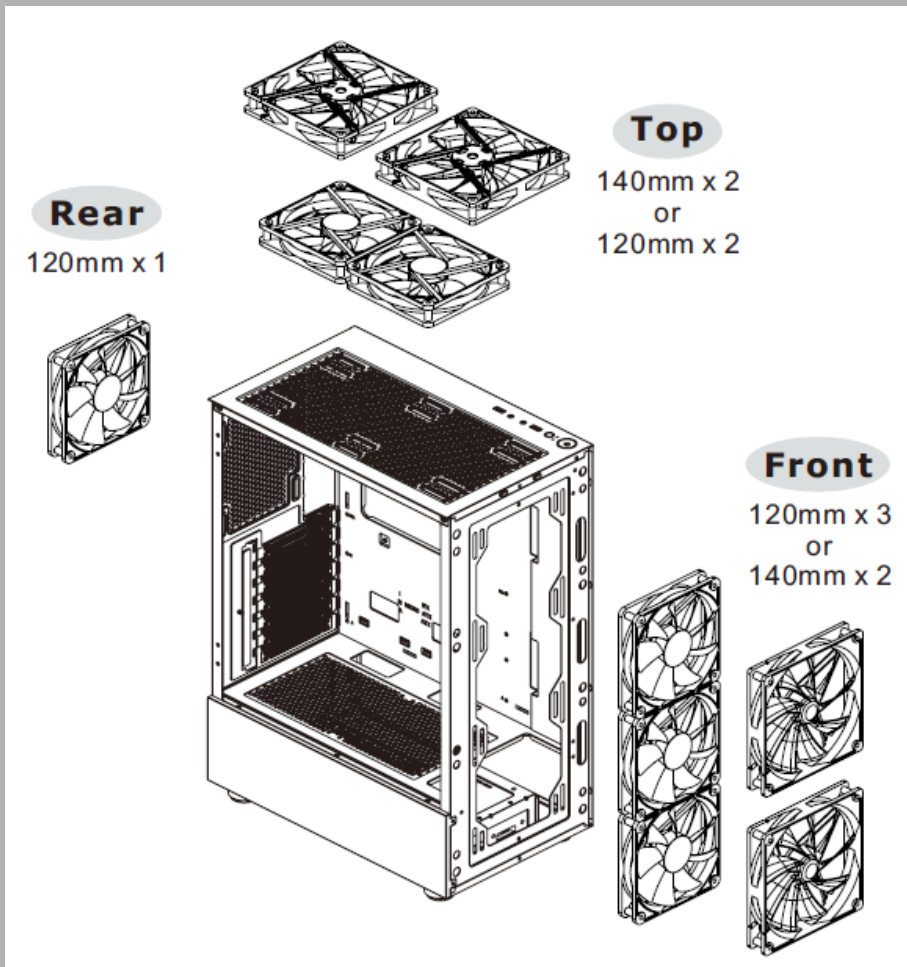
#### GIGABYTE

AOURS RGB Fusion with  
Digital LEDs



## Compatibility List

Fan Compatibility List			
	120mm	140mm	200mm
Front	3	2	-
Top	2	2	-
Rear	1	-	-



## All-in-One Compatibility

All-in-One Compatibility List						
	120mm	240mm	360mm	140mm	280mm	420mm
Front	●	●	●	●	●	-
Top	●	●	-	-	-	-
Rear	●	-	-	-	-	-

