

- **Style: Simple**
- **Size: Micro chassis supports up to M-ATX MB**
- **Material: Steel & Tempered Glass x 2**

Main Features

- **Connection** : Front I/O ports with 2 x USB 3.0
- **Ventilation** : Pre-installed 120mm ARGB Lite fan x 3
- **Supports** : Supports AIO cooling solutions



Specification

Model	View 170 TG ARGB	View 170 TG ARGB Snow
P/N	CA-1Z4-00M1WN-00	CA-1Z4-00M6WN-00
Case Type	Micro Case	
Chassis Dimension (H*W*D)	438 x 212 x 377.5 mm (17.24 x 8.35 x 14.86 inch)	
Net Weight	4.65 kg / 10.25 lbs.	
Panel	3mm Tempered Glass x 2	
Color	Black	White
Material	SPCC	
Cooling System	Right(intake): 120 x 120 x 25 mm ARGB Lite fan (1000rpm, 22.3 dBA) x 2 Rear(exhaust): 120 x 120 x 25 mm ARGB Lite fan (1000rpm, 22.3 dBA) x 1	
Drive Bays	1 x 3.5", 2 x 2.5"	
Expansion Slots	4	
Motherboards	6.7" x 6.7" (Mini ITX), 9.6" x 9.6" (Micro ATX)	
I/O Port	USB 3.0 x 2, HD Audio x 1	
PSU	Standard PS2 PSU (optional)	
Fan Support	Top: 2 x 120mm, 1 x 120mm 2 x 140mm, 1 x 140mm Right: 2 x 120mm, 1 x 120mm Rear: 1 x 120mm Power Cover: 2 x 120mm, 1 x 120mm	
Radiator Support	Top: 1 x 240mm, 1 x 120mm 1 x 280mm, 1 x 140mm Rear: 1 x 120mm	
Clearance	CPU cooler max height: 160mm VGA max length: 340mm PSU max length: 180mm	

Packaging

Package Information	View 170 TG ARGB	View 170 TG ARGB Snow
EAN Code	4711475645332	4711475645349
UPC Code	841163095348	841163095355
N.W	4.65 kg / 10.25 lbs.	
G.W	5.65 kg / 12.46 lbs.	
Carton Size (L x W x H)	481 x 269 x 440 mm / 18.94 x 10.59 x 17.32 inch	
Cuft	2.01	
Container	w/o pallet	
20'	500 pcs	
40'	1020 pcs	
40' HQ	1170 pcs	



Appearance – Black version



Angle view



Left Side view



Front view



Right Side view



Internal Structure



Rear view



Top view



Bottom view

Appearance – Snow version



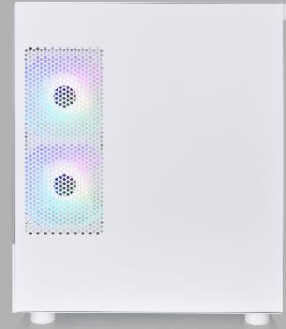
Angle view



Left Side view



Front view



Right Side view



Internal Structure



Rear view



Top view



Bottom view

Clearance



Maximum support up
to 120mm fan x 8



Maximum radiator support
up to 280mm on the top

Structure (External)

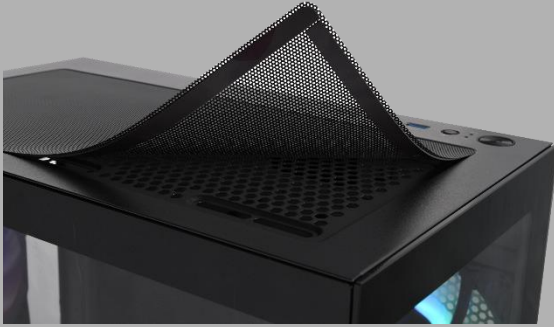


USB 3.0 x 2
HD Audio



3mm Tempered Glass
Window x 2

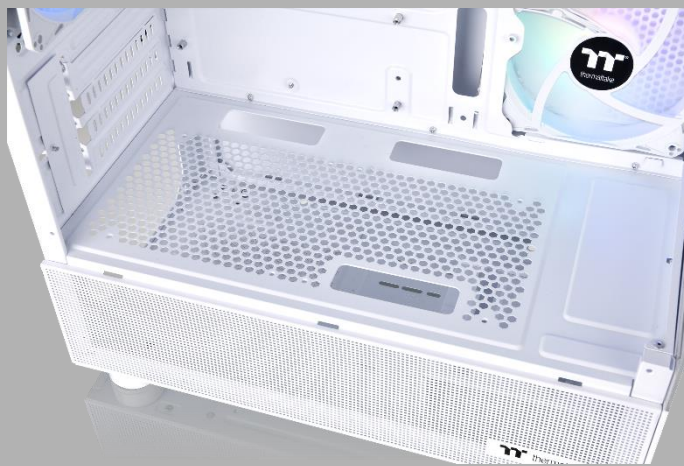
Structure (Internal)



Top filter



Bottom filter



Full length power cover

Structure (Internal)



It can support up to 2 x 2.5" SSD



It can support up to 1 x 3.5" HDD

Pre-installed ARGB Lite Fans



Pre-installed three hydraulic bearing ARGB **Lite** fans which can effectively lower the operation noise and enhance the thermal efficiency.



Black



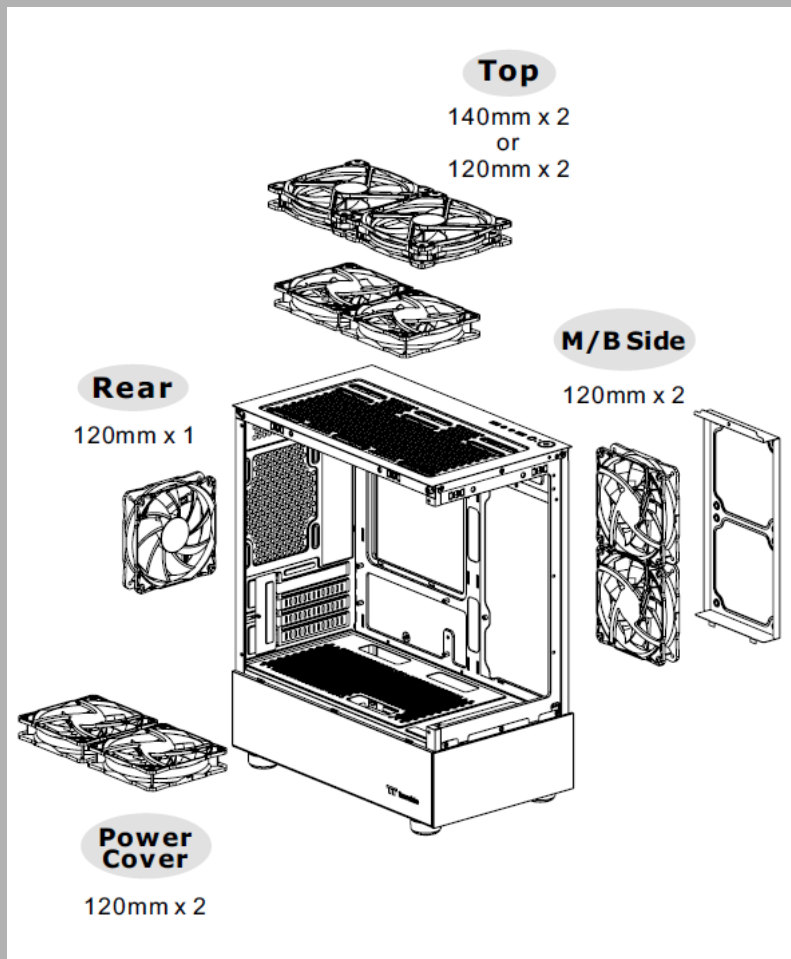
Snow

SPEC for Case ARGB **Lite** fans

- Fan Speed: 1000 +/- 200 RPM
- Fan Airflow: 35.25 CFM
- Fan Air Pressure: 0.54 mm-H₂O
- Fan Noise Level: 22.3 dBA
- Fan Bearing: Hydraulic bearing

Compatibility List

Fan Compatibility List			
	120mm	140mm	200mm
Top	2	2	-
Right	2	-	-
Rear	1	-	-
Power Cover	2	-	-



All-in-One Compatibility

All-in-One Compatibility List						
	120mm	240mm	360mm	140mm	280mm	420mm
Top	●	●	-	●	●	-
Right	-	-	-	-	-	-
Rear	●	-	-	-	-	-

