

- **Style: Simple**
- **Size: Mid Tower supports up to ATX MB**
- **Material: Steel & Tempered Glass**

Main Features

- **Connection** : Front I/O ports with 2 x USB 3.0
- **Ventilation** : 3 preinstalled 120mm ARGB Lite fans at front
- **Support** : Supports AIO cooling solutions



Specification

Model	View 200 TG ARGB	View 200 TG ARGB Snow
P/N	CA-1X3-00M1WN-00	CA-1X3-00M6WN-00
Case Type	Mid Tower	
Chassis Dimension (H*W*D)	460x 210 x 395.3 mm (18.11 x 8.27 x 15.56 inch)	
Net Weight	5.1 kg / 11.2 lbs.	
Panel	3mm Tempered Glass x 1	
Color	Black	White
Material	SPCC	
Cooling System	Front(intake): 120 x 120 x 25 mm ARGB Lite fan (1000rpm, 22.3 dBA) x 3	
Drive Bays	2 x 3.5", 2 x 2.5" or 1 x 3.5", 3 x 2.5"	
Expansion Slots	7	
Motherboards	6.7" x 6.7" (Mini ITX), 9.6" x 9.6" (Micro ATX), 12" x 9.6" (ATX)	
I/O Port	USB 3.0 x 2, HD Audio x 1	
PSU	Standard PS2 PSU (optional)	
Fan Support	Front: 3 x 120mm, 2 x 120mm, 1 x 120mm 2 x 140mm, 1 x 140mm Top: 2 x 120mm, 1 x 120mm 2 x 140mm, 1 x 140mm Rear: 1 x 120mm	
Radiator Support	Front: 1 x 360mm, 1 x 240mm, 1 x 120mm 1 x 280mm, 1 x 140mm Top: 1 x 240mm, 1 x 120mm Rear: 1 x 120mm	
Clearance	CPU cooler max height: 166mm VGA max length: 300mm (with radiator) 330mm (without radiator) PSU max length: 190mm (with HDD Cage)	

Packaging

Package Information	View 200 TG ARGB	View 200 TG ARGB Snow
EAN Code	4713227533669	4713227533676
UPC Code	841163083673	841163083680
N.W	5.1 kg / 11.2 lbs.	
G.W	6.1 kg / 13.4 lbs.	
Carton Size (L x W x H)	510 x 267 x 440 mm / 20.1 x 10.5 x 17.3 inch	
Cuft	2.11	
Container	w/o pallet	
20'	1154 pcs	
40'	1027 pcs	
40' HQ	511 pcs	





Thermaltake View 200 TG ARGB Mid Tower Chassis

Appearance –
Black version



Angle view



Left Side view



Front view



Right Side view



Internal Structure



Rear view



Top view



Bottom view



Thermaltake View 200 TG ARGB Mid Tower Chassis

Appearance – Snow version

Angle view

Left Side view

Front view

Right Side view

Top view

Internal Structure

Rear view

Bottom view



Thermaltake View 200 TG ARGB Mid Tower Chassis

Clearance



Maximum support up to 120mm fan x 6

Maximum radiator support up to 360mm at front



Thermaltake View 200 TG ARGB Mid Tower Chassis

Structure (External)



USB 3.0 x 2

HD Audio

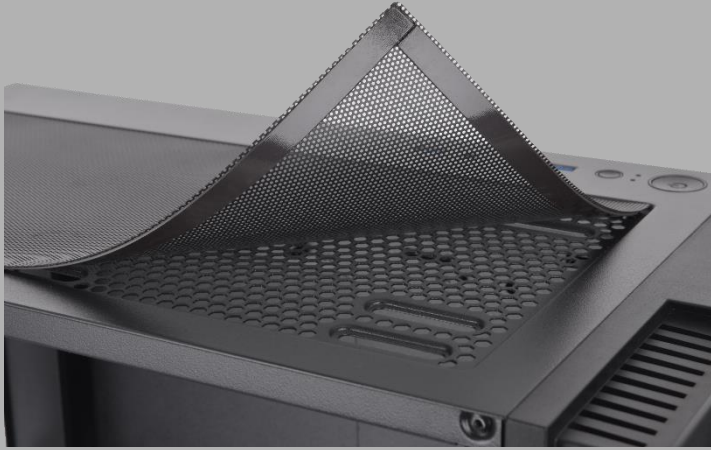


3mm Tempered Glass Window



Thermaltake View 200 TG ARGB Mid Tower Chassis

Structure (Internal)



Top filter

Full length power cover



Pre-installed ARGB Fans



Pre-installed three hydraulic bearing 120mm ARGB **Lite** front fans which can effectively lower the operation noise and enhance the thermal efficiency.



SPEC for Case ARGB **Lite** fans

- Fan Speed: 1000 +/- 200 RPM
- Fan Airflow: 35.25 CFM
- Fan Air Pressure: 0.54 mm-H₂O
- Fan Noise Level: 22.3 dBA
- Fan Bearing: Hydraulic bearing



ARGB lighting Control Instruction

ARGB Control Instruction – How to connect MB

ASUS/ASRock/BIOSTAR

Aura Addressable Strip Header(s)



MSI

JRGB-strip Header(S)



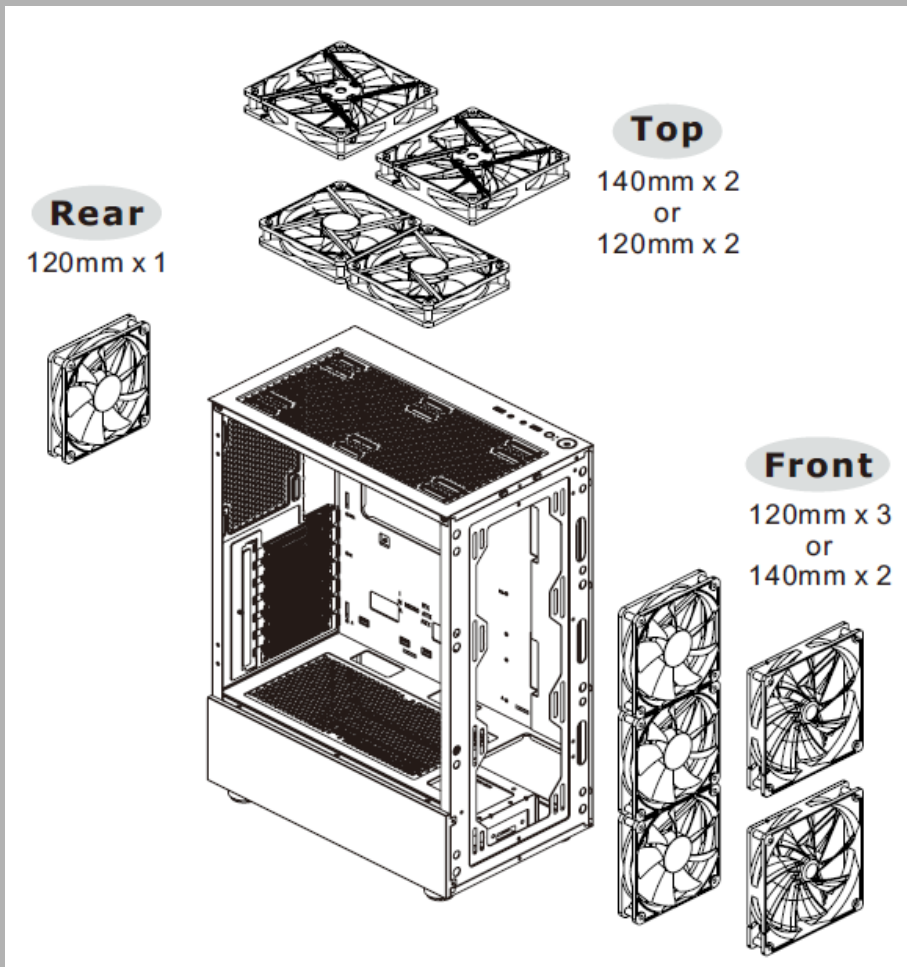
GIGABYTE

AOURS RGB Fusion with
Digital LEDs



Compatibility List

Fan Compatibility List			
	120mm	140mm	200mm
Front	3	2	-
Top	2	2	-
Rear	1	-	-



All-in-One Compatibility

All-in-One Compatibility List						
	120mm	240mm	360mm	140mm	280mm	420mm
Front	●	●	●	●	●	-
Top	●	●	-	-	-	-
Rear	●	-	-	-	-	-

